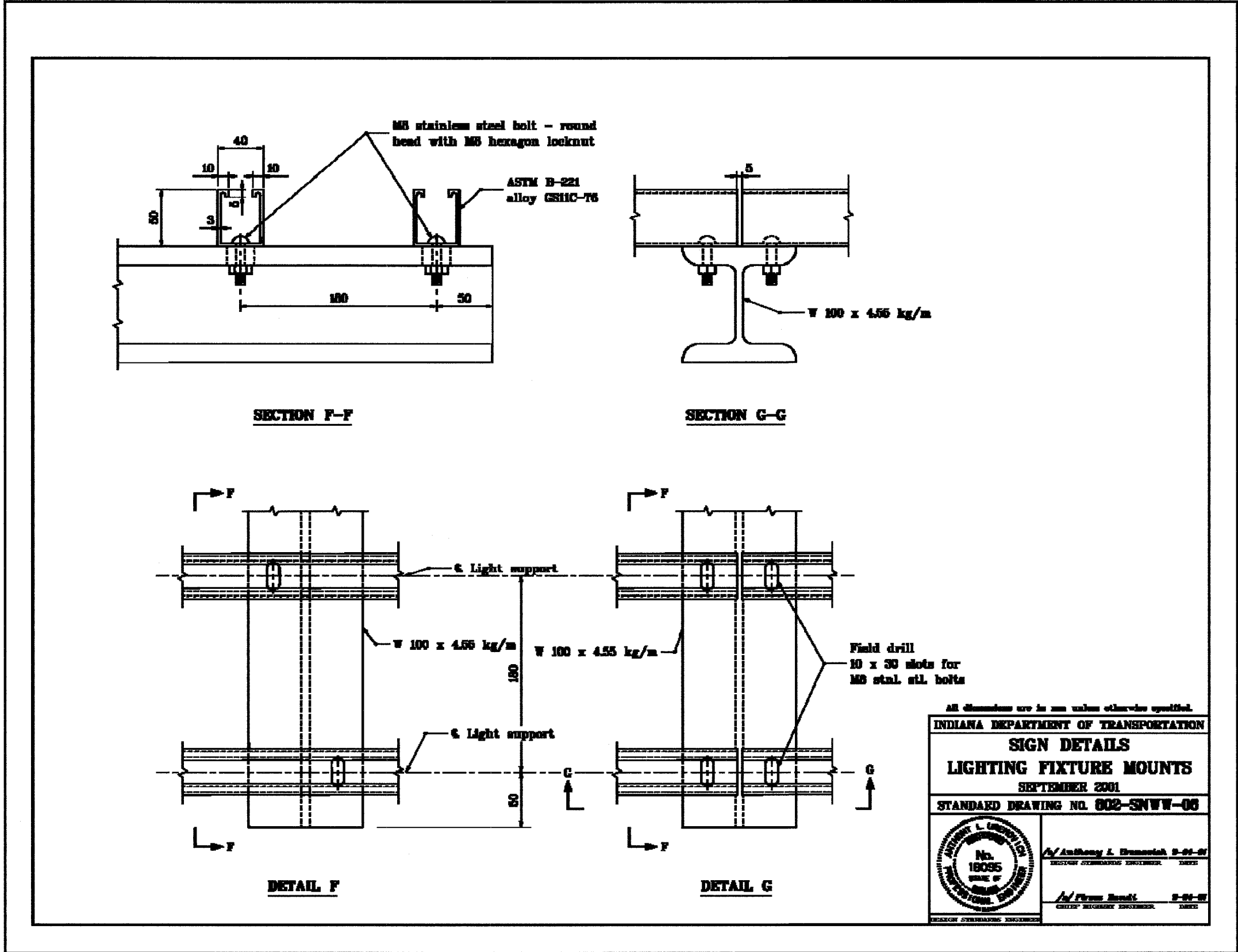


F.A.I. RTE.	SECTION	COUNTY	TOTAL SHEETS	SHEET NO.
80/94	2626.2-R-2	COOK/LAKE	1207	438
STA.		TO STA.		
FED. ROAD DIST. NO.	ILLINOIS FED. AID PROJECT			
CONTRACT NO. 62114	INDOT DES. NO. 0100987			



All dimensions are in mm unless otherwise specified.

INDIANA DEPARTMENT OF TRANSPORTATION

SIGN DETAILS

LIGHTING FIXTURE MOUNTS

SEPTEMBER 2001

STANDARD DRAWING NO. 802-SNFW-06

	<i>/s/ Anthony J. Brumagh</i> 9-01-01 REGISTERED PROFESSIONAL ENGINEER
	<i>/s/ Frank Boudt</i> 9-01-01 REGISTERED PROFESSIONAL ENGINEER