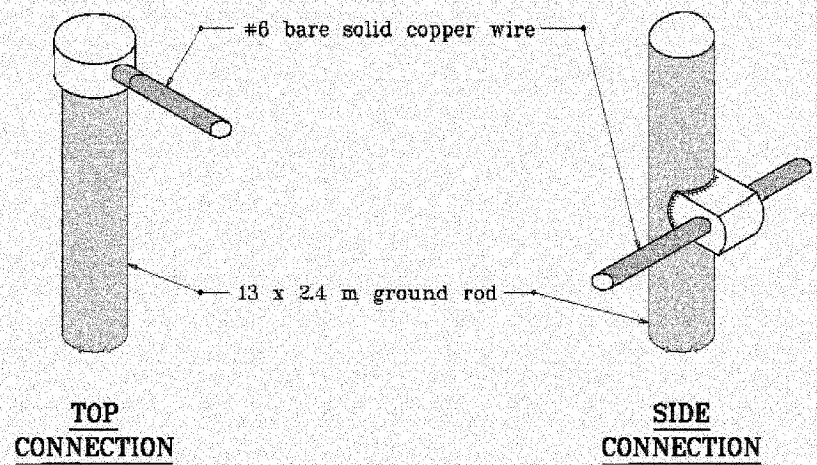


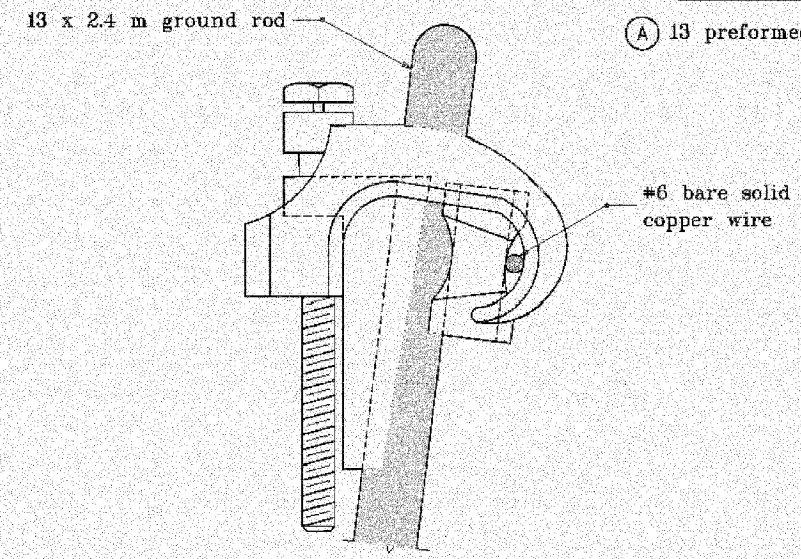
F.A.I. RTE.	SECTION	COUNTY	TOTAL SHEETS	SHEET NO.
80/94	2626.2-R-2	COOK/LAKE	1207	501B
STA.	TO STA.			
FED. ROAD DIST. NO.	ILLINOIS	FED. AID PROJECT		
CONTRACT NO. 62114	INDOT DES. NO. 0100987			

**GENERAL NOTES**

(A) 13 preformed joint

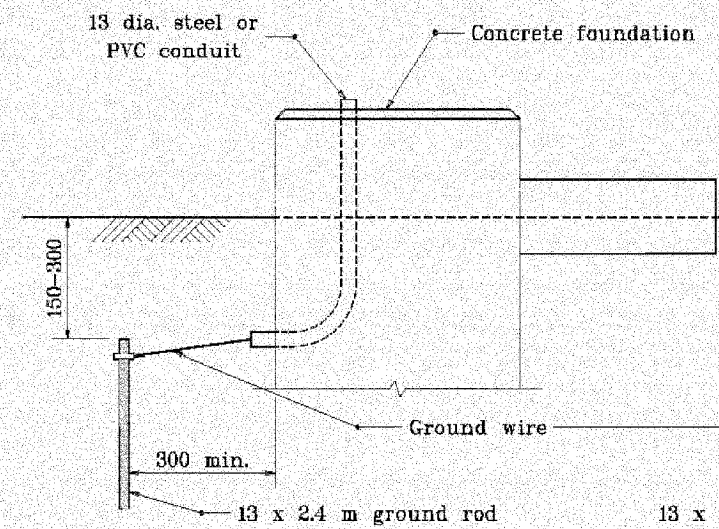


**THERMO WELD**

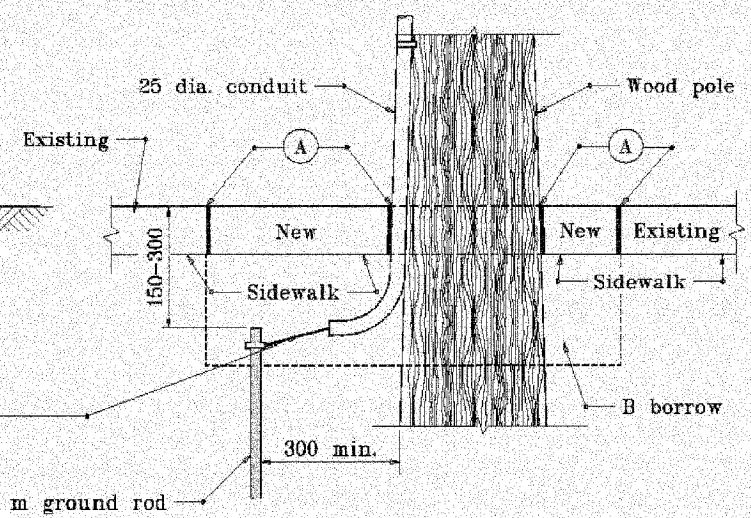


**GROUNDING GRID**

**GROUND ROD CONNECTIONS**



**TYPICAL DETAIL GROUND ROD IN EARTH**



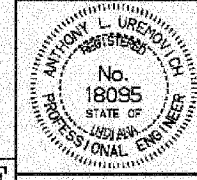
**TYPICAL DETAIL GROUND ROD IN SIDEWALK**

All dimensions are in mm unless otherwise specified.  
INDIANA DEPARTMENT OF TRANSPORTATION

**GROUND ROD**

SEPTEMBER 1998

STANDARD DRAWING NO. 805-SGGR-01



/s/ Anthony L. Uremovich 8-01-98  
DESIGN STANDARDS ENGINEER DATE

/s/ Donald W. Lucas 8-01-98  
CHIEF HIGHWAY ENGINEER DATE

Source Sheet: NONE