

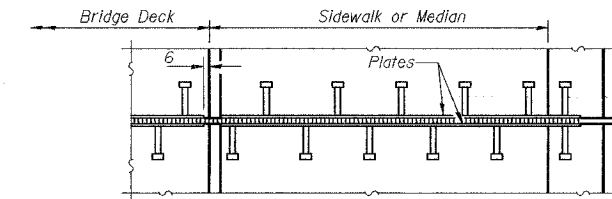
\*Cut retainer bars in sidewalk or median 150 mm short of the sidewalk or median face.

**SECTION THRU EXPANSION JOINT**  
(64 mm and 102 mm joint seals)

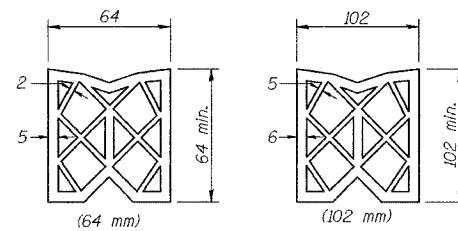
Bridge Joint System (Expansion)	Required Preformed Joint Seal Size	Required Strip Seal rated movement
25 mm	64 mm	25 mm
40 mm	102 mm	50 mm

**GENERAL NOTES**

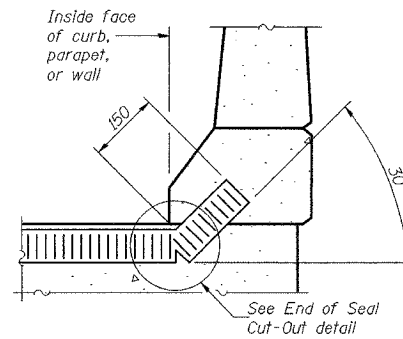
Furnish steel plates in segments of 6 m maximum length. Maximum space between installed segments shall be 5 mm. Seal space with silicone sealant suitable for structural steel.  
All dimensions are in millimeters (mm) except as noted.



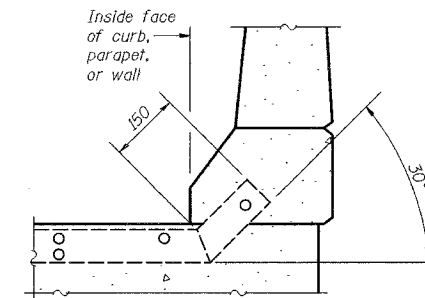
**PLAN AT SIDEWALK OR MEDIAN**



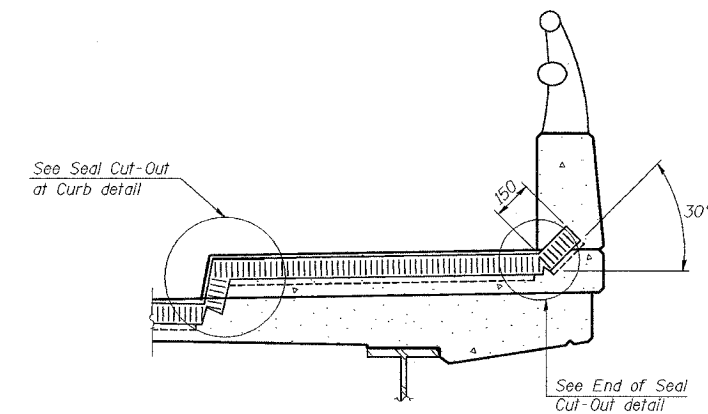
**PREFORMED JOINT SEAL**



**AT CURB, PARAPET, OR WALL**  
(Showing seal)

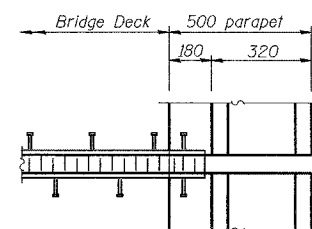


**AT CURB, PARAPET, OR WALL**  
(Showing plate)

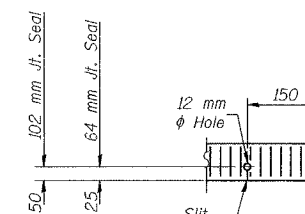


**AT SIDEWALK OR MEDIAN**  
(Showing plate and seal)

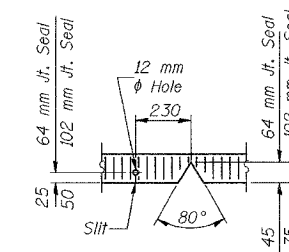
**TYPICAL END TREATMENTS**



**PLAN AT PARAPET**



**END OF SEAL CUT-OUT**



**SEAL CUT-OUT AT CURB**

**BILL OF MATERIAL**

Item	Unit	Total
Bridge Joint System (Expansion) 40 mm	meter	50.4

DESIGNED	BPS
CHECKED	JDG
DRAWN	MJB
CHECKED	JDG

EJ-BJS (M)

ILLINOIS DEPARTMENT OF TRANSPORTATION  
 F.A.I. ROUTE 80/94 (KINGERY EXPRESSWAY)  
 UNDER WENTWORTH AVE  
**BRIDGE JOINT SYSTEM - EXPANSION**  
**(PREFORMED JOINT SEAL)**  
 SECTION 2626.1B  
 COOK COUNTY  
 STATION 7 + 579.488  
 STRUCTURE NO. 016-2790  
 (Sheet 1 of 2)  
 DATE 07/05  
**AMERICAN**  
 CONSULTING ENGINEERS

FOR INFORMATION ONLY