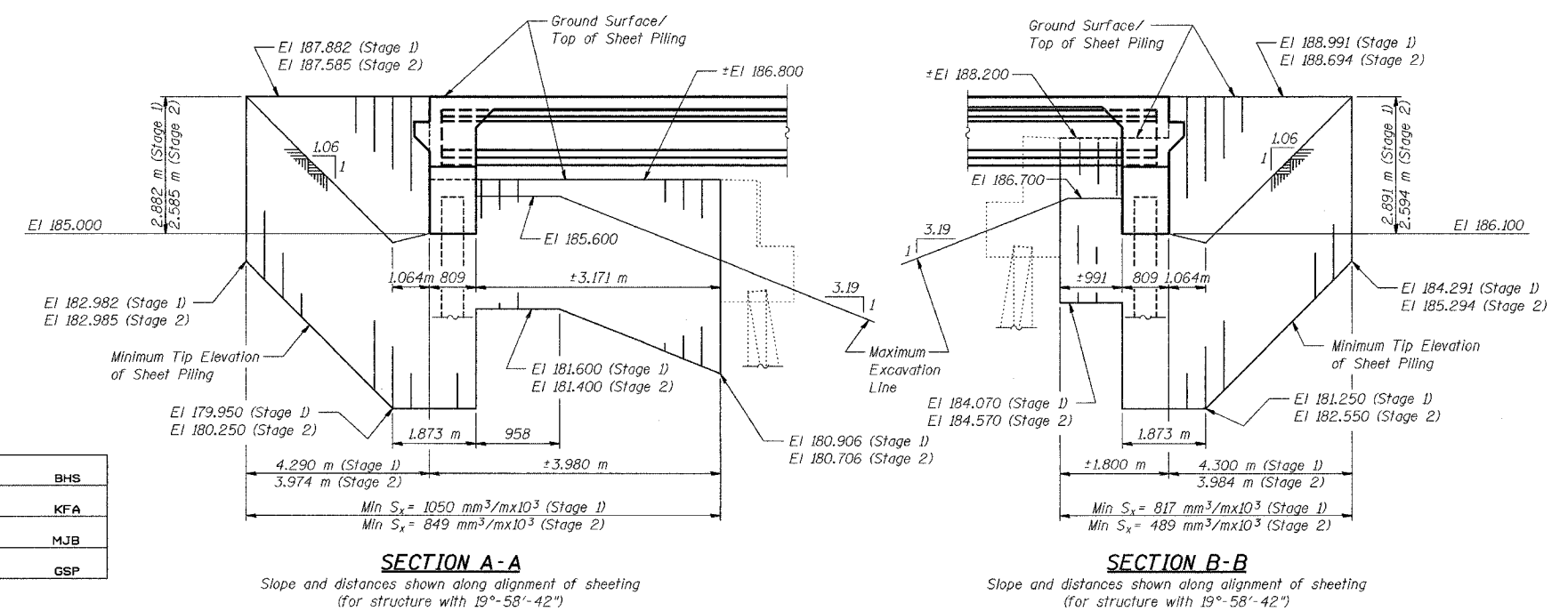


ABUTMENT FOOTING AT RETAINING WALLS
 Abutment piles shall be driven before construction of the retaining walls. The driven depth shall be equal to or 300 mm below the proposed retaining wall footing.



DESIGNED	BHS
CHECKED	KFA
DRAWN	MJB
CHECKED	GSP

NOTES:
 Estimated Area of Temporary Sheet Piling = 167 m²
 If the contractor chooses to alter the temporary cantilevered sheet piling design requirements as shown on the plans, a design submittal including plan details and calculations will be required for review and acceptance by the Engineer.
 All dimensions are in millimeters (mm) except as noted.
 Cost of Temporary Sheet Piling included with Excavation, Foundation, Unclassified.

ILLINOIS DEPARTMENT OF TRANSPORTATION
 F.A.L. ROUTE 80/94 (BORMAN EXPRESSWAY)
 OVER HOHMAN AVENUE
STAGE CONSTRUCTION DETAILS -
SUBSTRUCTURE
 SECTION 2626.2-R-2
 LAKE COUNTY, INDIANA
 STATION 8+225.132
 STRUCTURE NO. I-80-1-8459 (EB & WB)
 DATE 09/05 (016-1001 & 016-1002)