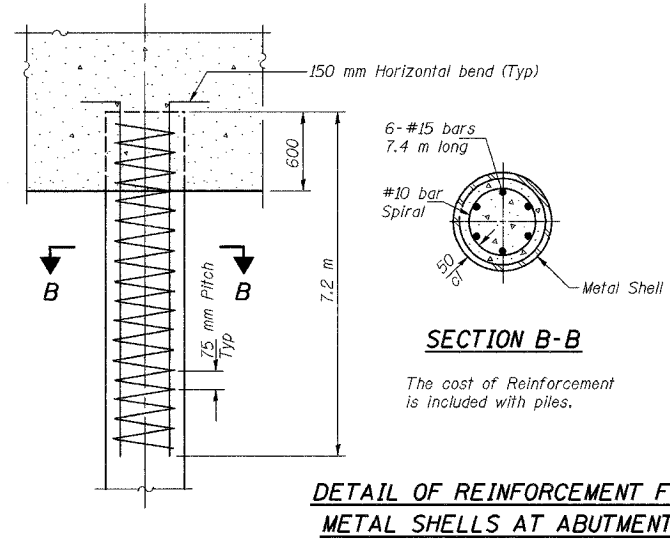
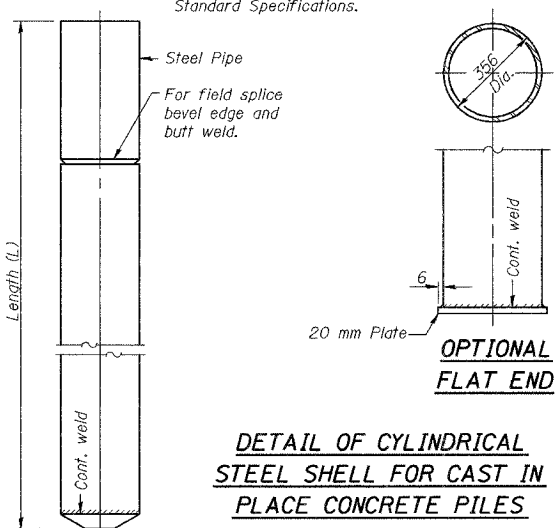


ROUTE NO.	SECTION	COUNTY	SHEET	SHEET	SHEET NO. S-36
F.A.L. 80/94	2626.2-R-2	LAKE COUNTY, INDIANA	1207	615	40 SHEETS
ILLINOIS		FED. AID PROJECT			

CONTRACT NO. 62114 INDOT DES. NO. 0100987

Notes: Driving and bearing ends of pipe shall be cut square. The thickness of the shell shall be 6.35 mm with a tolerance of 5%. The shell shall be according to Article 1006.05(a) of the Standard Specifications.



The cost of Reinforcement is included with piles.

DESIGNED	BHS
CHECKED	KFA
DRAWN	MJB
CHECKED	GSP

X-PB (M) 10-31-02 (All dimensions are in millimeters (mm) except as noted.)

ILLINOIS DEPARTMENT OF TRANSPORTATION  
 F.A.L. ROUTE 80/94 (BORMAN EXPRESSWAY)  
 OVER HOHMAN AVENUE

CONCRETE PILE DETAILS  
 SECTION 2626.2-R-2  
 LAKE COUNTY, INDIANA  
 STATION 8+225.132  
 STRUCTURE NO. I-80-1-8459 (EB & WB)  
 DATE 09/05 (016-1001 & 016-1002)

**AMERICAN**  
 CONSULTING ENGINEERS