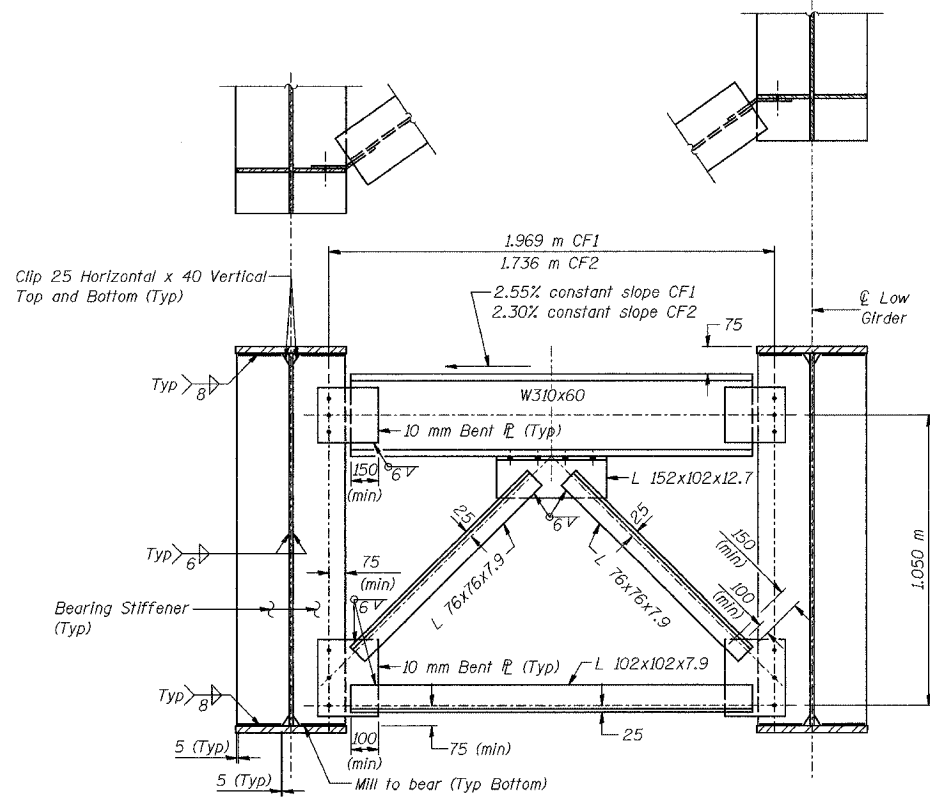
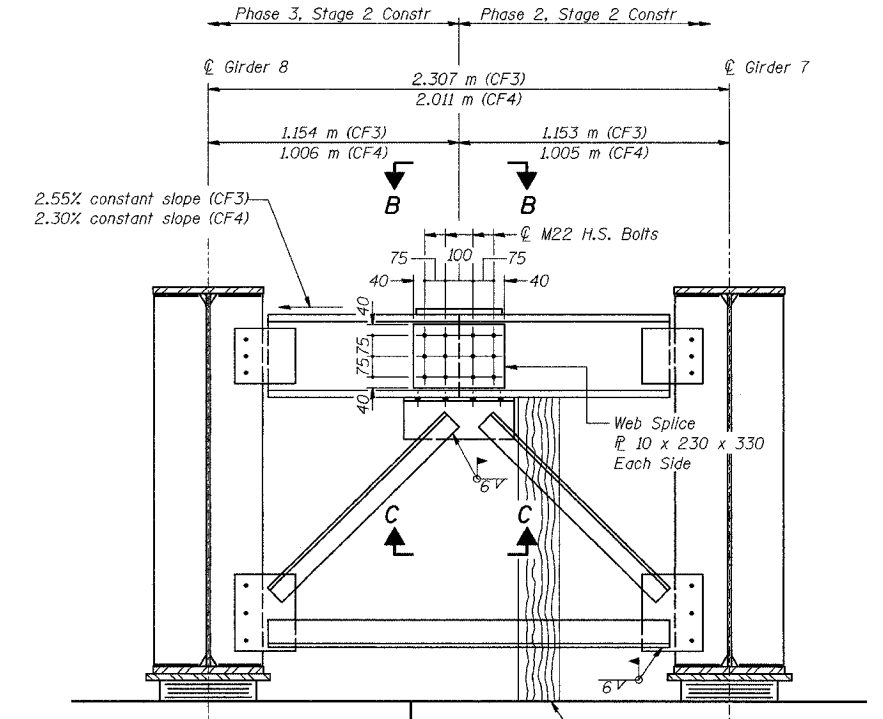


INTERIOR CROSS FRAME CF
439 Required



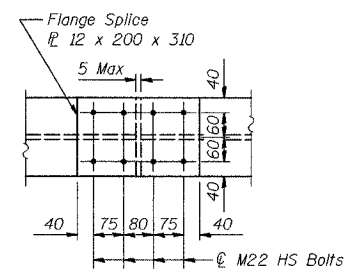
END CROSS FRAME CF1 OR CF2
CF1 - 25 Required
CF2 - 25 Required



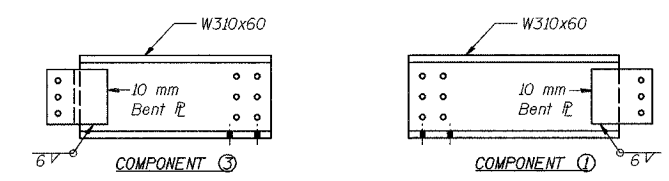
END CROSS FRAME CF3 OR CF4
(Looking East)
CF3-1 Required, CF4-1 Required

CROSS FRAME CF3 AND CF4 CONSTRUCTION SEQUENCE

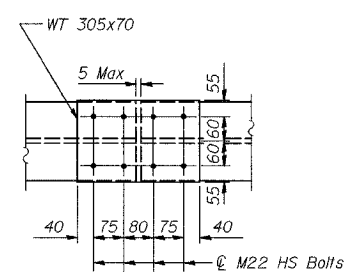
- 1) Order Cross Frame CF3 and CF4 in three components as shown.
- 2) Attach component ① to the bearing stiffener on Girder 7 and top flange splice to component ① during Phase 2, Stage 2 Construction.
- 3) Place Timber Block Post between component ① and bearing seat.
- 4) Attach component ③ to the bearing stiffener on Girder 8 and attach component ② to components ① and ③ during Phase 3, Stage 2 Construction.
- 5) Attach web splice plates to components ① and ③.
- 6) Remove Timber Block Post.



SECTION B-B



END CROSS FRAME CF3 OR CF4 COMPONENTS



SECTION C-C

DESIGNED	BHS
CHECKED	KFA
DRAWN	MJB
CHECKED	GSP

NOTES:
All open holes shall be 28 mm ϕ for M22 HS bolts
All dimensions are in millimeters (mm) except as noted.

ILLINOIS DEPARTMENT OF TRANSPORTATION
F.A.L. ROUTE 80/94 (BORMAN EXPRESSWAY)
OVER LITTLE CALUMET RIVER & N.I.C.T.D. R.O.W.
FRAMING DETAILS - UNIT 1 (3 OF 3)
SECTION 2626.2-R-1
LAKE COUNTY, INDIANA
STATION 8+470.000
STRUCTURE NO. I-80-1-8460 (EB & WB)
DATE 07/05 (016-1003 & 016-1004)

