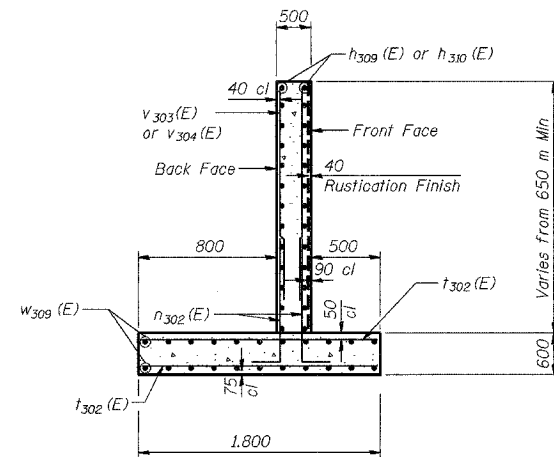
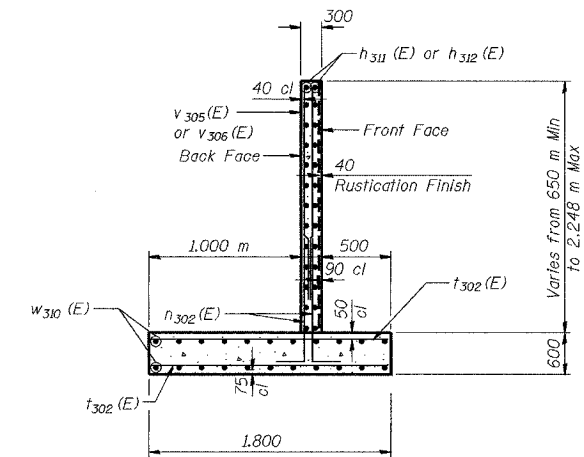


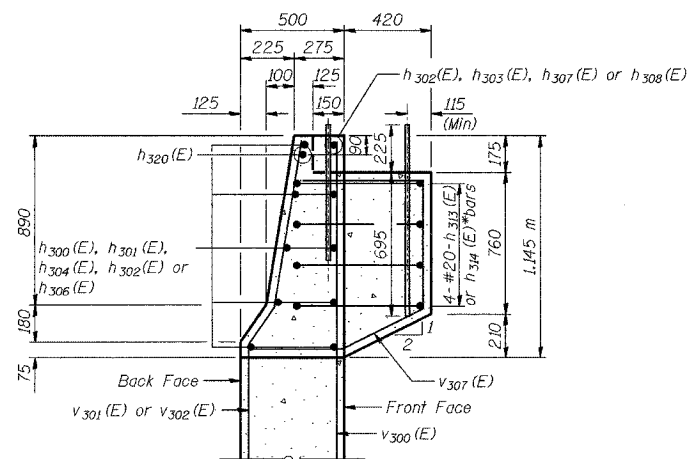
SECTION A-A



SECTION B-B

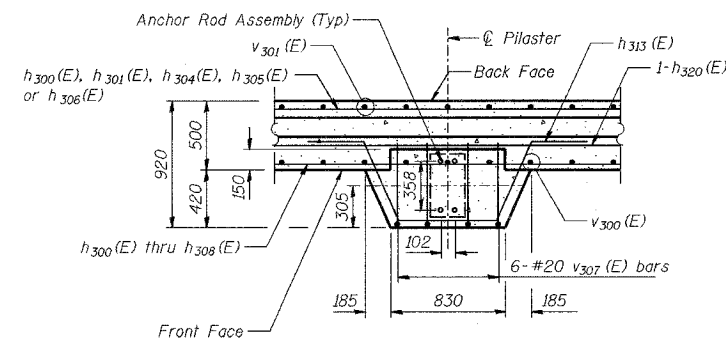


SECTION C-C



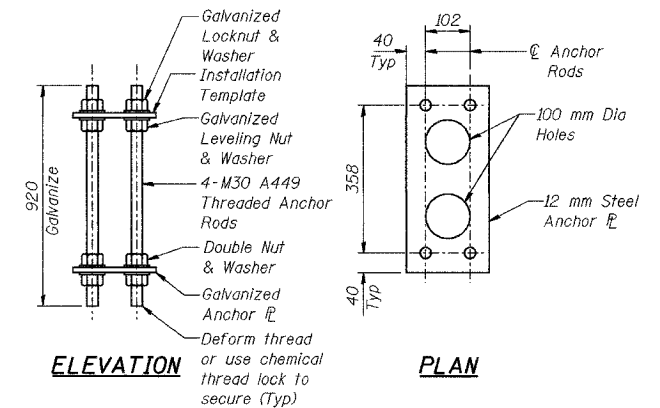
SECTION THRU PARAPET

* h₃₁₄(E) bars to be placed in pilasters at Sta 8+587.026 and Sta 8+728.922



PILASTER SUPPORT - PLAN VIEW

(40 Locations)



ELEVATION

PLAN

NOISE ABATEMENT WALL ANCHOR ROD ASSEMBLY

(40 Req'd)

DESIGNED	KFA
CHECKED	BPS
DRAWN	MJB
CHECKED	GSP

PILE DATA

Type - 356 ϕ Metal Shell
Capacity - 500 kN
Est. Length - 15.0 m
No. Req'd - 174
Test Piles - 4

NOTES:

See Sheet S-11 for Expansion Joint details and Bill of Material
See Sheet S-12 for Rustication details.
Reinforcement bars designated (E) shall be epoxy coated.
All dimensions are in millimeters (mm) except as noted.
See Typical Section on Sheet S-2 for Drainage Details and Surface Seal Limits.

ILLINOIS DEPARTMENT OF TRANSPORTATION
I-80/94/US 6
KINGERY-BORMAN EXPRESSWAY
BURNHAM ROAD TO US 41

WALL SECTIONS AND DETAILS (1 OF 2)
SECTION 2626.2-R-2
LAKE COUNTY, INDIANA
STATION 8+581.326 TO STATION 8+733.961
STRUCTURE NO. 016-W860

DATE 09/05

AMERICAN
CONSULTING ENGINEERS