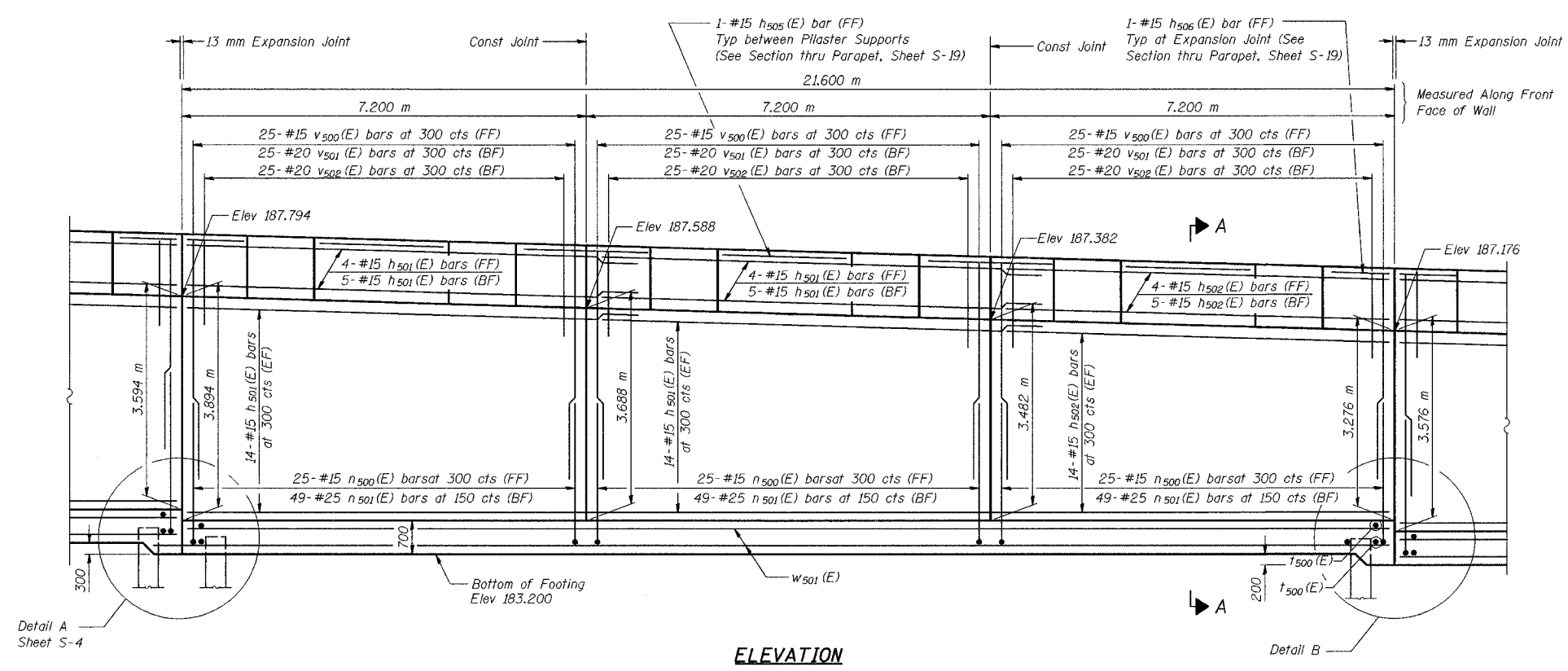
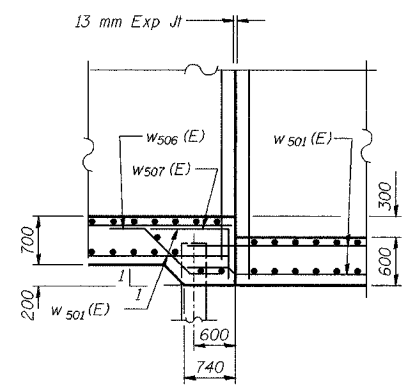


ROUTE NO.	SECTION	COUNTY	SHEETS	SHEET	SHEET NO. S-5
66/74	2626.2-R-2	LAKE COUNTY, INDIANA	1207	921	29 SHEETS
BLINDS		REINFORCING			

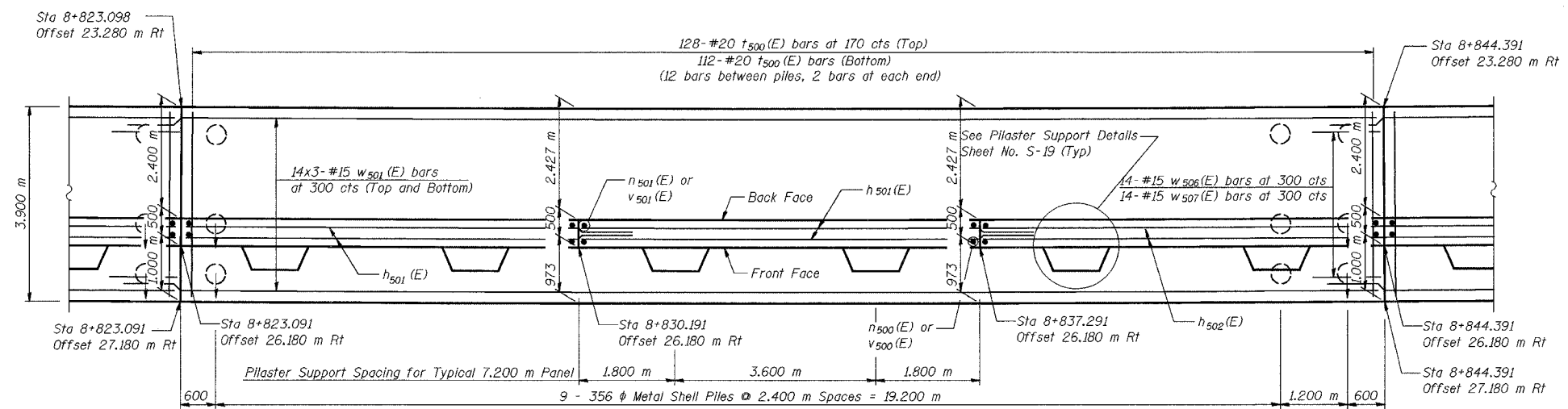
CONTRACT NO. 62114 INDOT DES. NO. 0100987



ELEVATION



DETAIL B



FOOTING PLAN

DESIGNED	KFA
CHECKED	BPS
DRAWN	MJB
CHECKED	GSP

MINIMUM BAR LAPS

#15 bars = 640
#20 bars = 790

LEGEND

BF = Back Face
FF = Front Face
EF = Each Face

NOTES:
See Sheet S-19 for Section A-A.
See Sheet S-20 for Expansion Joint Detail and Bill of Material.
See Sheet S-21 for Rustication details.
Stations are referenced to \odot I-80/94.
Reinforcement bars designated (E) shall be epoxy coated.
All dimensions are in millimeters (mm) except as noted.
Bars indicated thus 20 x 3-#15 etc. indicates 20 lines of bars with 3 lengths per line.

ILLINOIS DEPARTMENT OF TRANSPORTATION
I-80/94/US 6
KINGERY-BORMAN EXPRESSWAY
BURNHAM ROAD TO US 41

PLAN AND ELEVATION (3 OF 13)
SECTION 2626.2-R-2
LAKE COUNTY, INDIANA
STATION 8+774.073 TO STATION 9+227.203
STRUCTURE NO. 016-W861

DATE 09/05

AMERICAN
CONSULTING ENGINEERS