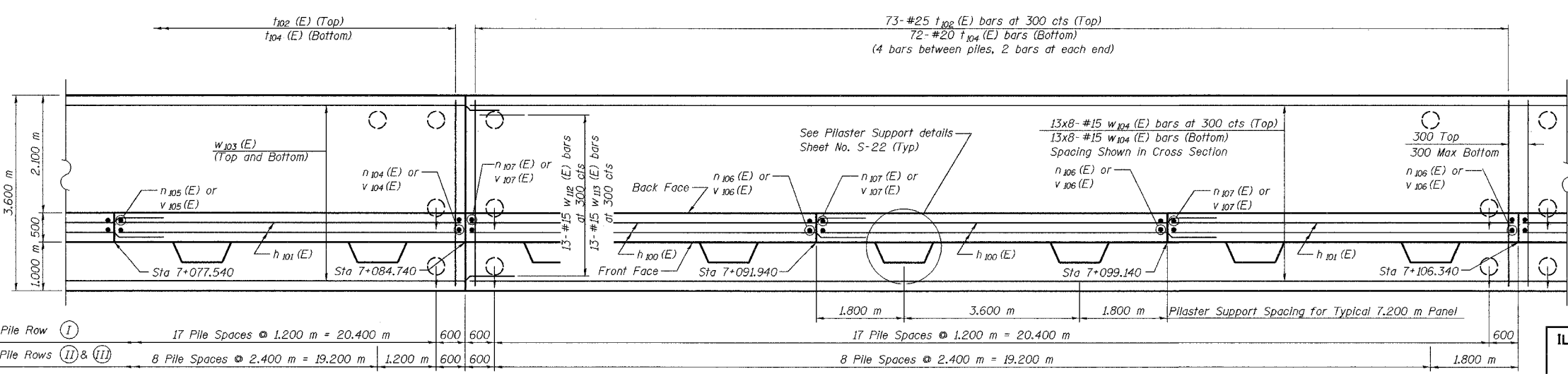
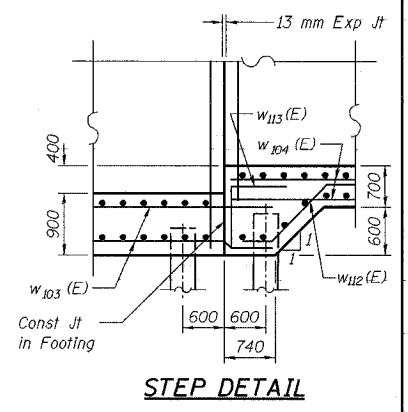
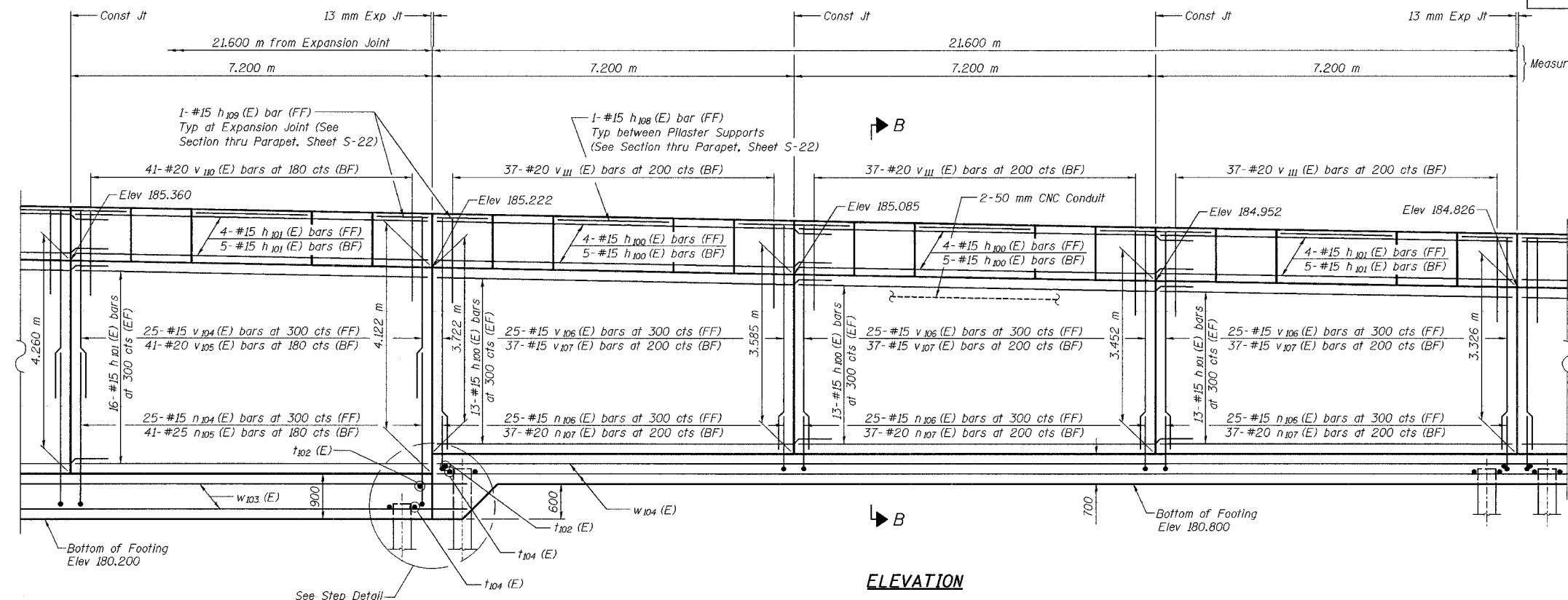


ROUTE NO.	SECTION	COUNTY	SHEET NO.	SHEET	SHEET NO.
F.A.L. 80-94	2001-167R	COOK COUNTY	1207	956	37 SHEETS
CONTRACT No. 62114					SHEET NO. S-11



DESIGNED	BHS
CHECKED	KFA
DRAWN	MJB
CHECKED	GSP

**FOOTING PLAN**

**MINIMUM BAR LAPS**  
 #15 bars = 640  
 #20 bars = 790  
 #25 bars = 1320

**LEGEND**  
 BF = Back Face  
 FF = Front Face  
 EF = Each Face

**NOTES:**  
 See Sheet S-22 for Section B-B, Pilaster Support details, and Bill of Material.  
 See Sheet S-23 for Rustication details and Expansion Joint Detail.  
 Stations are referenced to @ I-80/94.  
 Reinforcement bars designated (E) shall be epoxy coated.  
 All dimensions are in millimeters (mm) except as noted.  
 See Electrical Drawings for Junction Box and Conduit Details.  
 Bars indicated thus 20 x 3-#15 etc. indicates 20 lines of bars with 3 lengths per line.

**ILLINOIS DEPARTMENT OF TRANSPORTATION**  
 F.A.L. ROUTE 80/94 AND U.S. ROUTE 6  
 LOCAL ROAD RECONSTRUCTION

**PLAN AND ELEVATION (9 OF 19)**  
 SECTION 2001-167R  
 COOK COUNTY  
 STATION 6+850.000 to STATION 7+400.281  
 STRUCTURE NO. 016-W873  
 DATE 07/05

**AMERICAN**  
 CONSULTING ENGINEERS

FOR INFORMATION ONLY