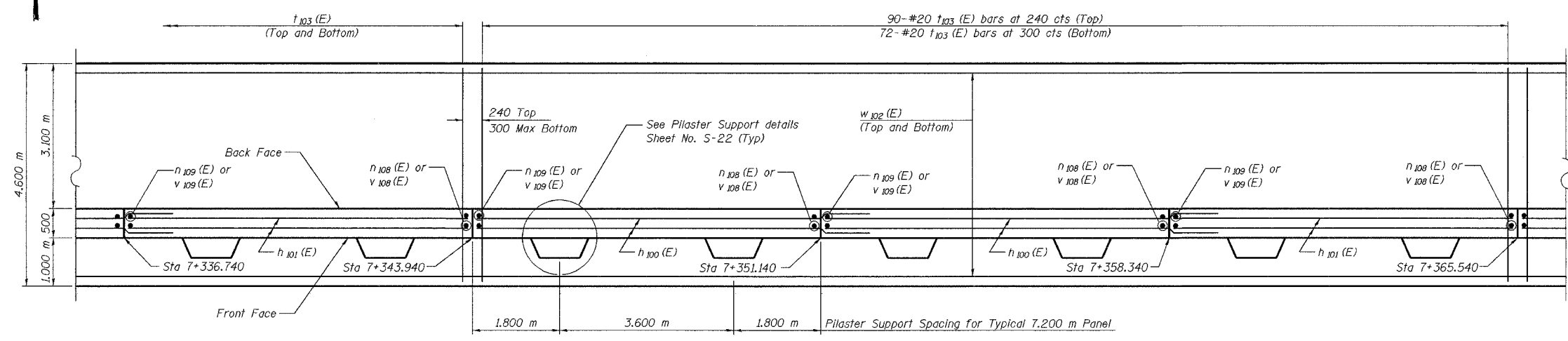


ELEVATION



FOOTING PLAN

NOTES:
 See Sheet S-22 for Section C-C, Pilaster Support details, and Bill of Material.
 See Sheet S-23 for Rustication details and Expansion Joint Detail.
 Stations are referenced to ℓ I-80/94.
 Reinforcement bars designated (E) shall be epoxy coated.
 All dimensions are in millimeters (mm) except as noted.
 See Electrical Drawings for Junction Box and Conduit Details.

DESIGNED	BHS
CHECKED	KFA
DRAWN	MJB
CHECKED	GSP

MINIMUM BAR LAPS
 #15 bars = 640
 #20 bars = 790
 #25 bars = 1320

LEGEND
 BF = Back Face
 FF = Front Face
 EF = Each Face

ILLINOIS DEPARTMENT OF TRANSPORTATION
 F.A.I. ROUTE 80/94 AND U.S. ROUTE 6
 LOCAL ROAD RECONSTRUCTION

PLAN AND ELEVATION (18 OF 19)
SECTION 2001-167R
COOK COUNTY
STATION 6+850.000 TO STATION 7+400.281
STRUCTURE NO. 016-W873
 DATE 07/05

AMERICAN
 CONSULTING ENGINEERS

FOR INFORMATION ONLY