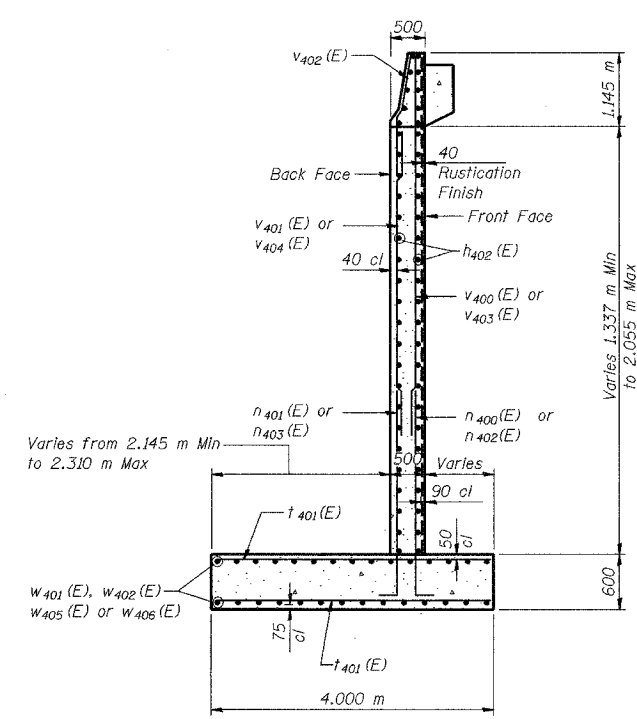
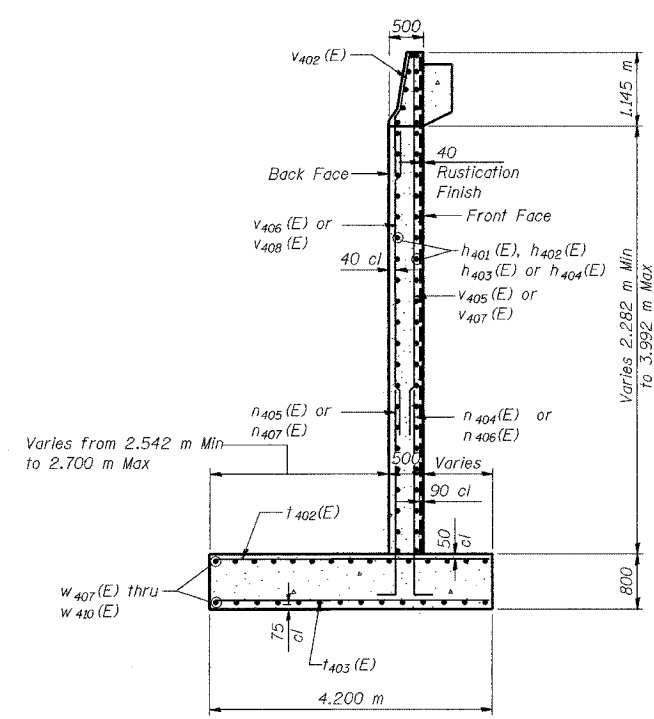


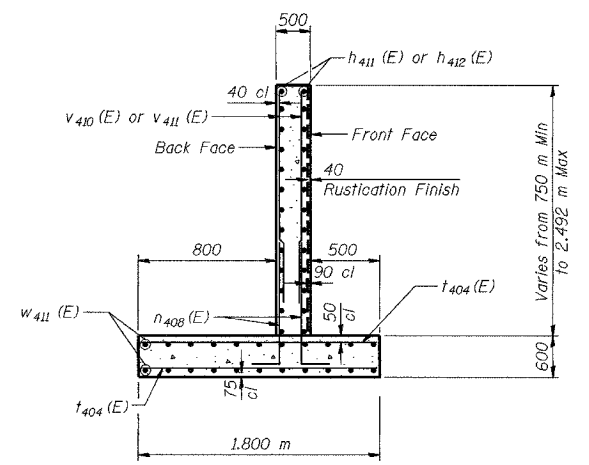
SECTION A-A



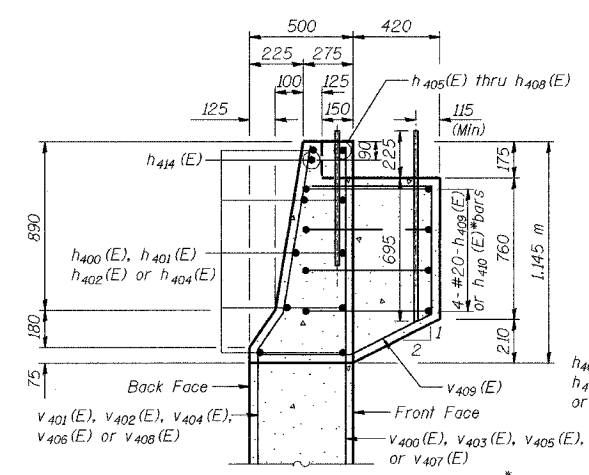
SECTION B-B



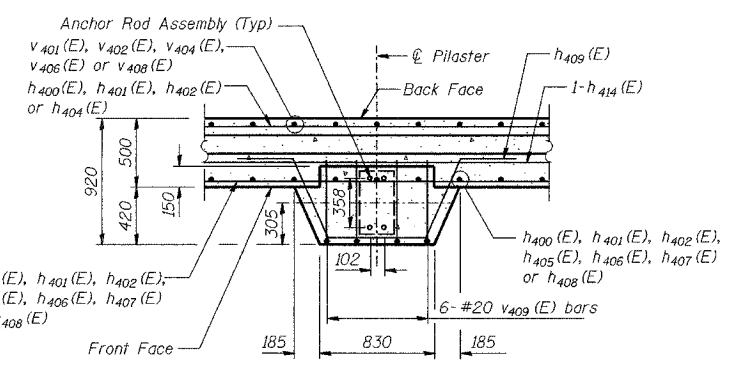
SECTION C-C



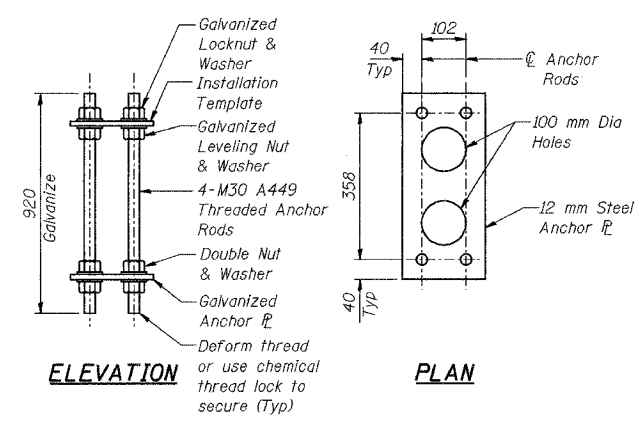
SECTION D-D



SECTION THRU PARAPET



PILASTER SUPPORT - PLAN VIEW
(93 Locations)



NOISE ABATEMENT WALL ANCHOR ROD ASSEMBLY
(93 Req'd)

NOTES:
See Sheet S-17 for Expansion Joint Detail and Bill of Material.
See Sheet S-18 for Rustication details.
Reinforcement bars designated (E) shall be epoxy coated.
All dimensions are in millimeters (mm) except as noted.
See Typical Section on Sheet S-2 for Drainage Details and Surface Seal Limits.

| | |
|----------|-----|
| DESIGNED | KFA |
| CHECKED | BPS |
| DRAWN | MJB |
| CHECKED | GSP |

ILLINOIS DEPARTMENT OF TRANSPORTATION
I-80/94/US 6
KINGERY-BORMAN EXPRESSWAY
BURNHAM ROAD TO US 41

WALL SECTIONS AND DETAILS (1 OF 2)
SECTION 2626.2-R-2
LAKE COUNTY, INDIANA
STATION 8+762.750 TO STATION 9+101.839
STRUCTURE NO. 016-W915

DATE 09/05

AMERICAN
CONSULTING ENGINEERS