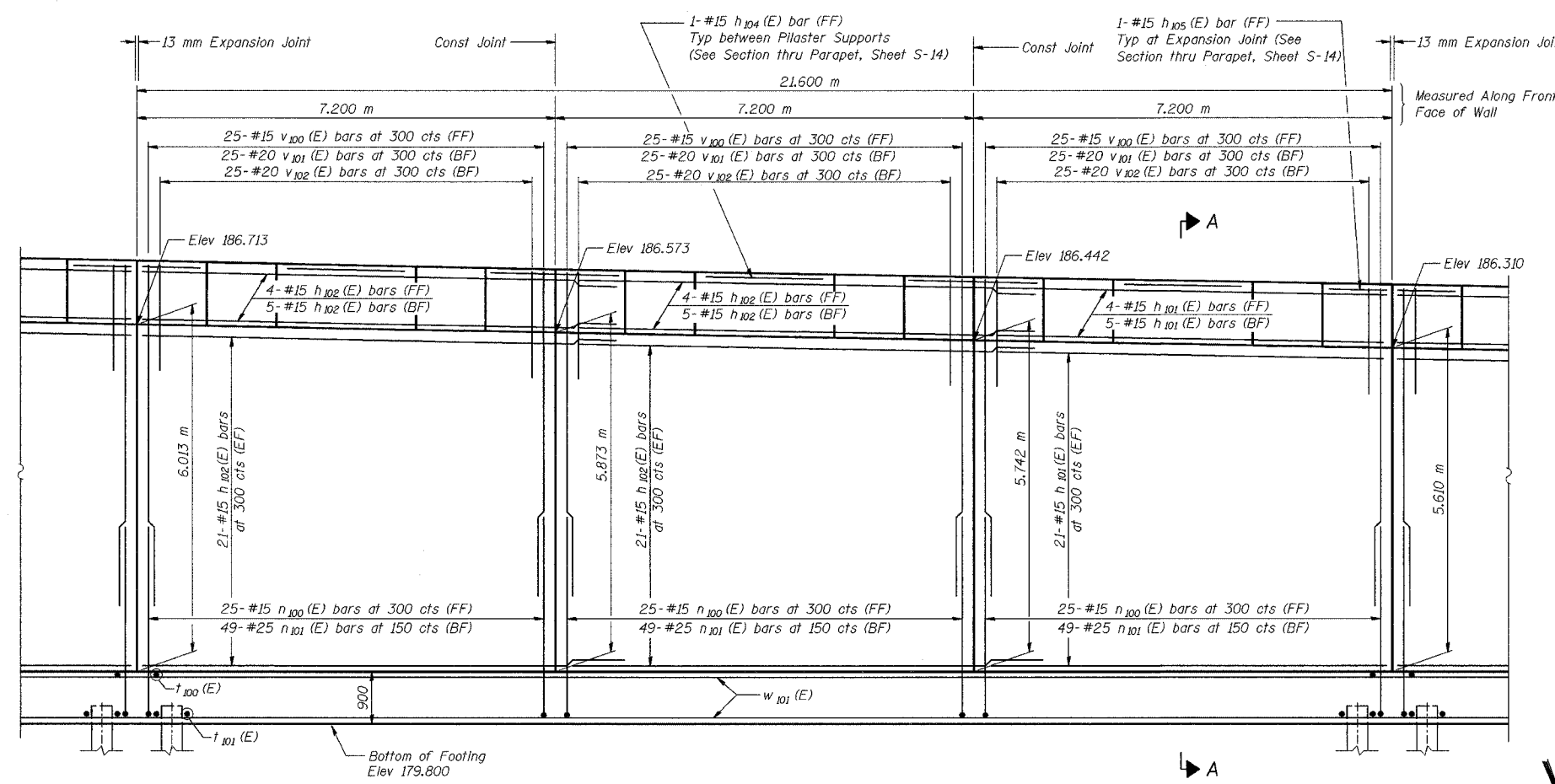
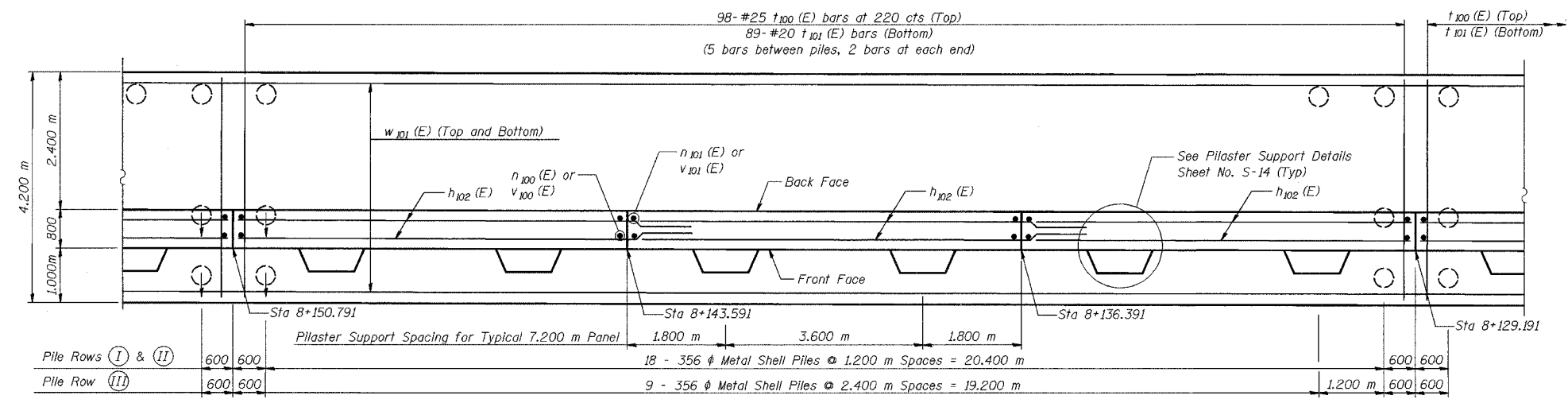


ROUTE NO.	SECTION	COUNTY	SHEET NO.	SHEET TOTAL	SHEET NO. S-5 20 SHEETS
104	2626.2-R-2	LAKE COUNTY, INDIANA	1207	1047	
CONTRACT NO. 62114 INDOT DES. NO. 0100987					



ELEVATION



FOOTING PLAN

NOTES:
 See Sheet S-14 for Section A-A.
 See Sheet S-15 for Expansion Joint Detail and Bill of Material.
 See Sheet S-16 for Rustication details.
 Stations are referenced to $\text{C} \cdot 1-80/94$.
 Reinforcement bars designated (E) shall be epoxy coated.
 All dimensions are in millimeters (mm) except as noted.
 Bars indicated thus 20 x 3-#15 etc. indicates 20 lines of bars with 3 lengths per line.

DESIGNED	KFA
CHECKED	BPS
DRAWN	MJB
CHECKED	GSP

MINIMUM BAR LAPS
 #15 bars = 640
 #20 bars = 790

LEGEND
 BF = Back Face
 FF = Front Face
 EF = Each Face

ILLINOIS DEPARTMENT OF TRANSPORTATION
 I-80/94/US 6
 KINGERY-BORMAN EXPRESSWAY
 BURNHAM ROAD TO US 41

PLAN AND ELEVATION (3 OF 11)
SECTION 2626.2-R-2
LAKE COUNTY, INDIANA
STATION 7+945.232 TO STATION 8+196.892
STRUCTURE NO. 016-W919

DATE 09/05

AMERICAN
 CONSULTING ENGINEERS