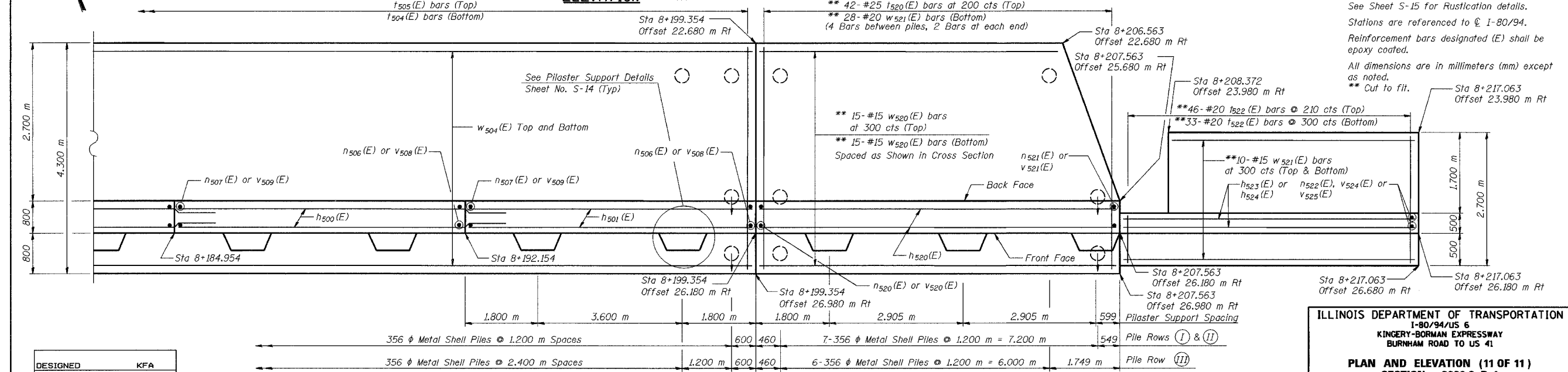


NOTES:
See Sheet S-14 for Section C-C, Section D-D, Expansion Joint Detail and Bill of Material.
See Sheet S-15 for Rustication details.
Stations are referenced to ϕ I-80/94.
Reinforcement bars designated (E) shall be epoxy coated.
All dimensions are in millimeters (mm) except as noted.
** Cut to fit.



DESIGNED	KFA
CHECKED	BPS
DRAWN	MJB
CHECKED	GSP

MINIMUM BAR LAPS
#15 bars = 640
#20 bars = 790

LEGEND
BF = Back Face
FF = Front Face
EF = Each Face

ILLINOIS DEPARTMENT OF TRANSPORTATION
I-80/94/US 6
KINGERY-BORMAN EXPRESSWAY
BURNHAM ROAD TO US 41

PLAN AND ELEVATION (11 OF 11)
SECTION 2626.2-R-1
LAKE COUNTY, INDIANA
STATION 8+199.354 TO STATION 8+215.315
STRUCTURE NO. 016-W922

DATE 09/05

AMERICAN
CONSULTING ENGINEERS

* FOR INFORMATION ONLY