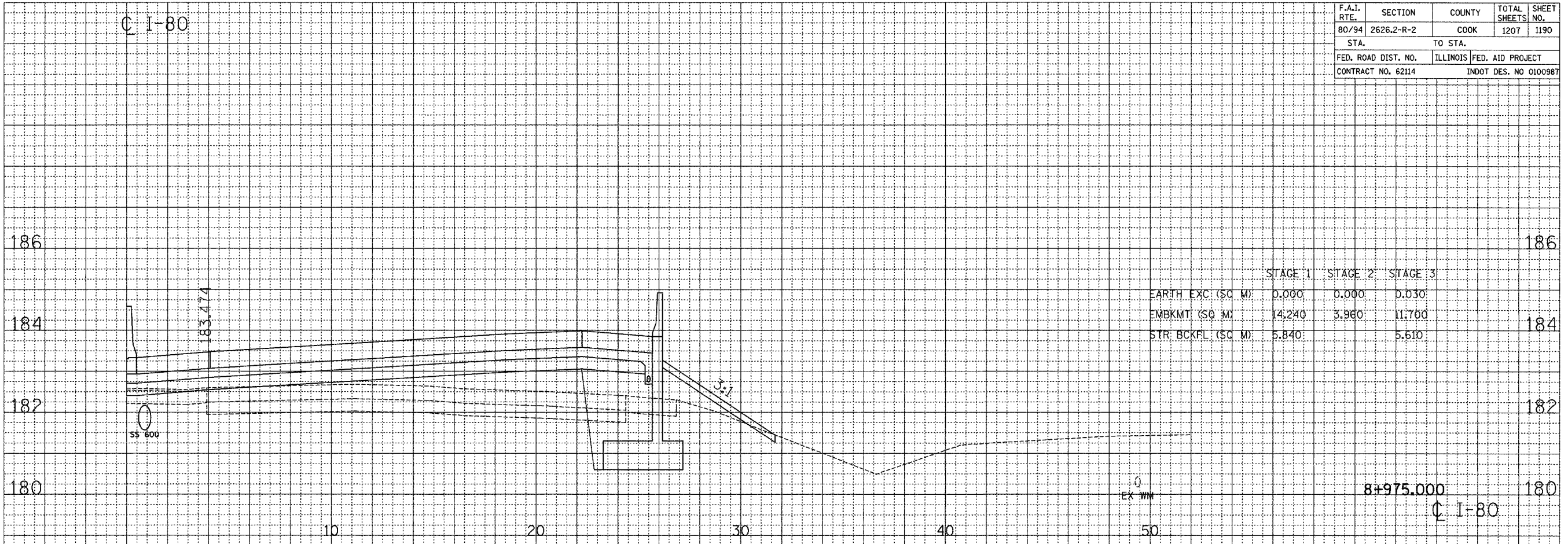


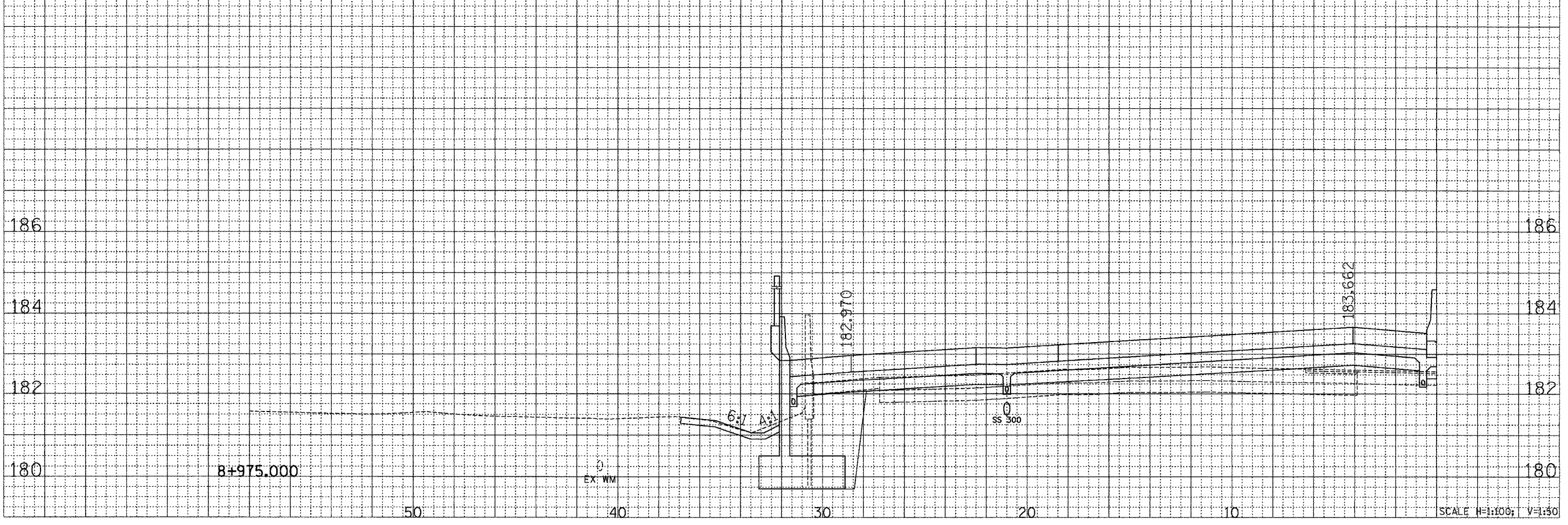
F.A.I. RTE.	SECTION	COUNTY	TOTAL SHEETS	SHEET NO.
80/94	2626.2-R-2	COOK	1207	1190
STA.		TO STA.		
FED. ROAD DIST. NO.		ILLINOIS	FED. AID PROJECT	
CONTRACT NO. 62114		INDOT DES. NO 0100987		

FINAL SURVEY	BY	DATE
NO. _____	_____	_____
NOTE BOOK		
NO. _____		
AREAS CHECKED		
NO. _____		



	STAGE 1	STAGE 2	STAGE 3
EARTH EXC (SQ M)	0.000	0.000	0.030
EMBKMT (SQ M)	14.240	3.960	11.700
STR. BCKFL (SQ M)	5.840		5.610

ORIGINAL SURVEY	BY	DATE
NO. _____	_____	_____
NOTE BOOK		
NO. _____		
AREAS CHECKED		
NO. _____		



CROSS SECTION - I-80/94/US 6

SCALE H=1:100; V=1:50