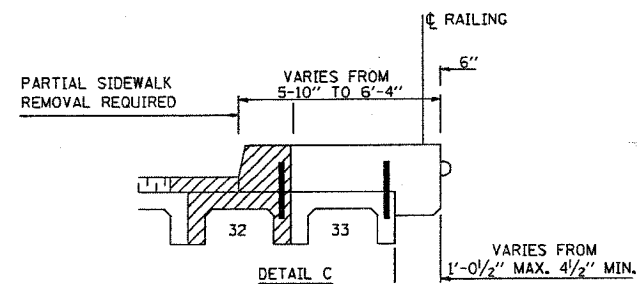
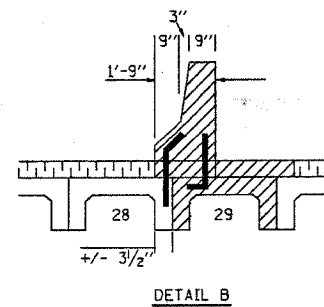
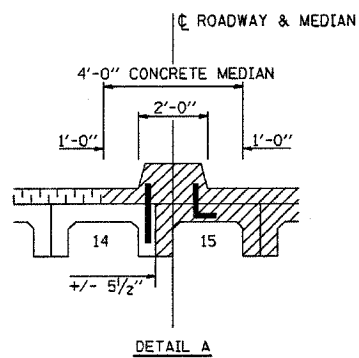
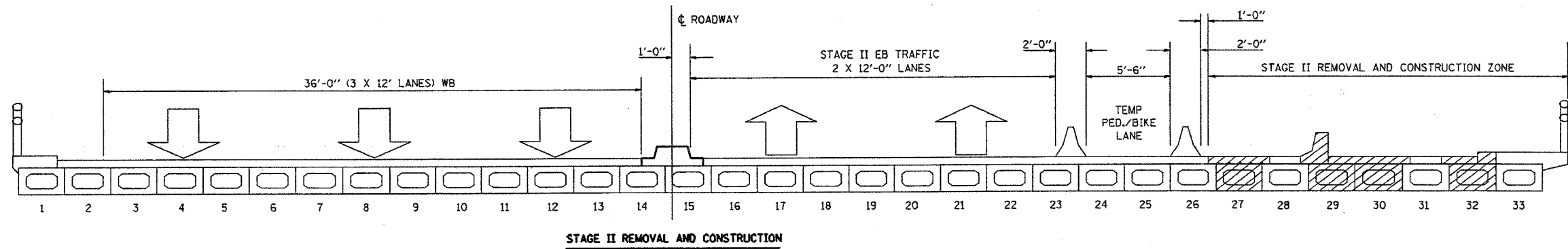
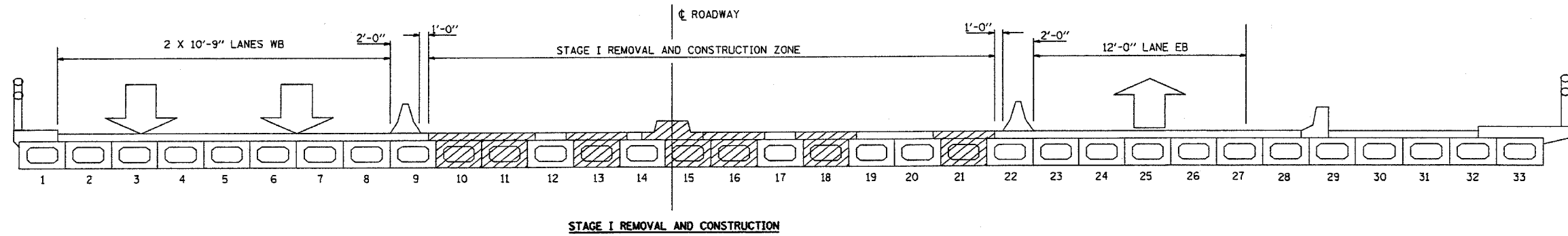
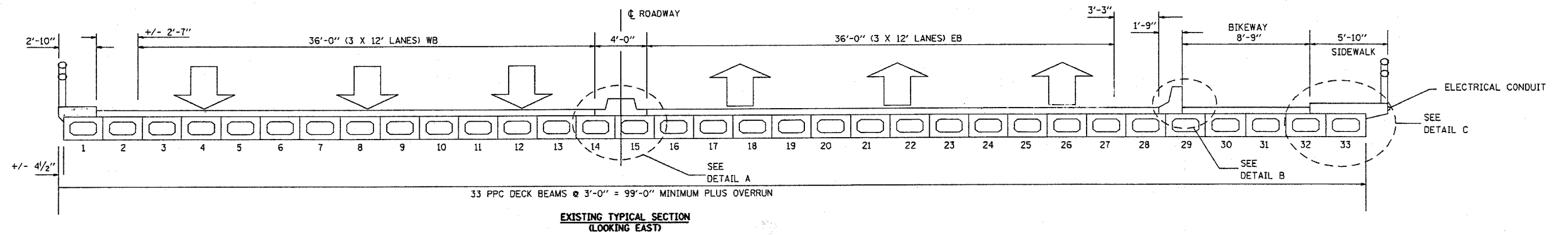


F.A.P. #	SECTION	COUNTY	TOTAL SHEETS	SHEET NO.
343	2005-0058R	COOK/DUPAGE	14	5
STA. _____		TO STA. _____		
FED. ROAD DIST. NO. _____		ILLINOIS FED. AID PROJECT		



REVISIONS	
NAME	DATE

ILLINOIS DEPARTMENT OF TRANSPORTATION

STAGING LAYOUT
LOCATION 2
SN: 022-0084

SCALE: VERT.
DATE

DRAWN BY
CHECKED BY

PLOT DATE = 3/31/2005
FILE NAME = c:\projects\111700a\111700a.m32
REFERENCE = 111700a.m32