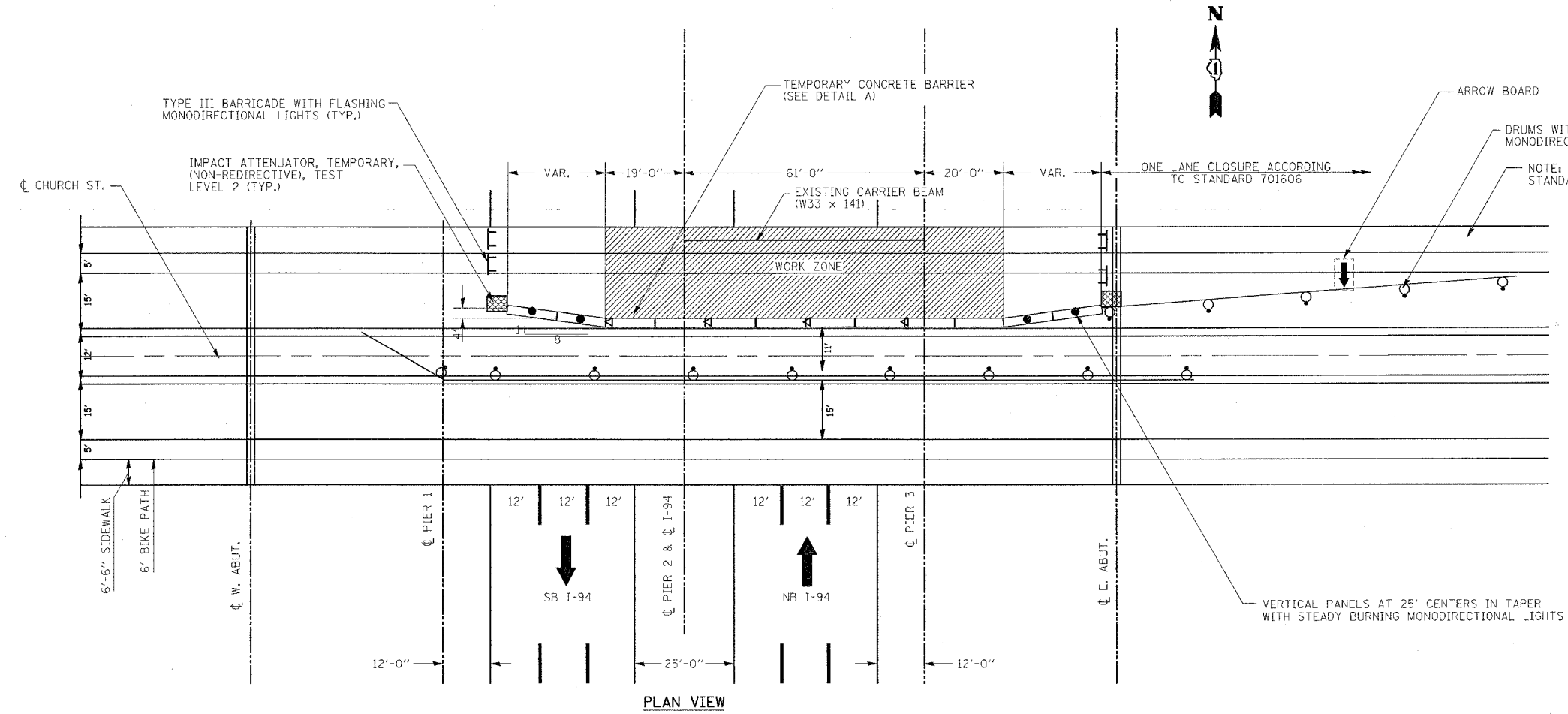
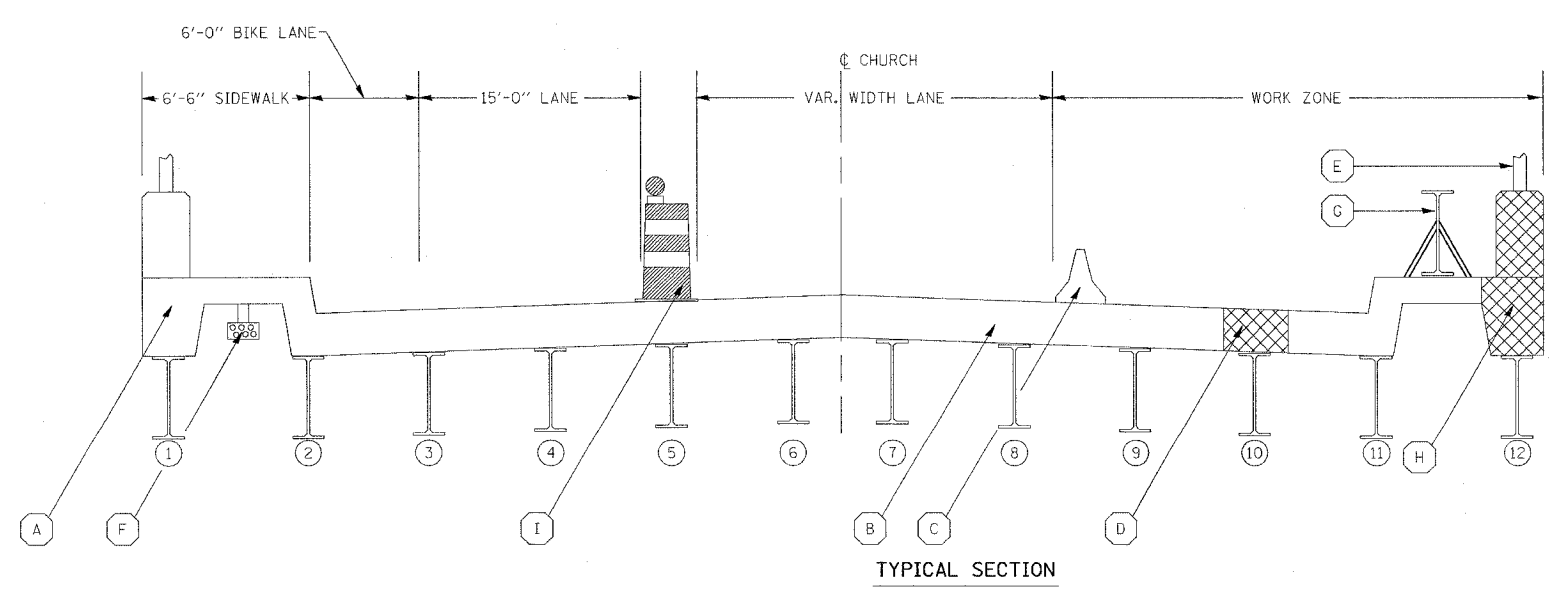
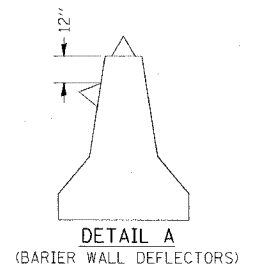
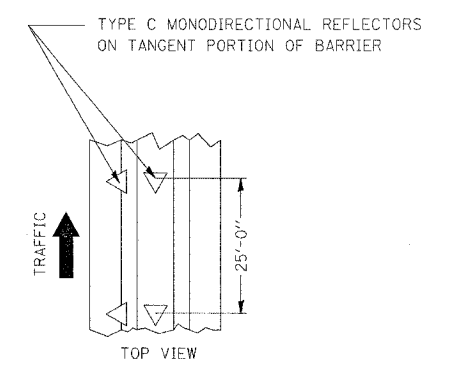


F.A. RTE.	SECTION	COUNTY	TOTAL SHEETS	SHEET NO.
1313	0606.1 BR-2	COOK	10	4
STA.		TO STA.		
FED. ROAD DIST. NO.		ILLINOIS FED. AID PROJECT		



NOTE: BLACK PAVEMENT MARKING TAPE, TYPE III, SHALL BE USED TO COVER ALL CONFLICTING STRIPING. THE COST OF REMOVAL SHALL BE INCLUDED IN THE COST OF TRAFFIC CONTROL AND PROTECTION, STANDARD 701606.

NOTE: TRAFFIC CONTROL AND SIGNING SHOULD FOLLOW STANDARD 701502 WHEN NOT SPECIFIED HERE.



- (A) EXISTING SIDEWALK
- (B) EXISTING CONCRETE BRIDGE DECK
- (C) TEMPORARY CONCRETE BARRIER (SEE STD. 701401)
- (D) CONCRETE BRIDGE DECK TO BE REMOVED AND REPLACED
- (E) PEDESTRIAN RAILING TO BE REMOVED AND REINSTALLED
- (F) EXISTING UTILITY CONDUITS (UNDER SOUTH SIDEWALK ONLY)
- (G) EXISTING CARRIER BEAM TO BE SALVAGED
- (H) EXISTING SIDEWALK AND PARAPET TO BE REMOVED AND REPLACED
- (I) DRUM WITH STEADY BURNING MONODIRECTIONAL LIGHT

REVISIONS	
NAME	DATE

ILLINOIS DEPARTMENT OF TRANSPORTATION

TRAFFIC CONTROL DETAILS

SCALE: VERT. DATE
HORIZ. DRAWN BY
CHECKED BY

PLOT DATE = 10/29/2005
PLOT SCALE = 1/8"=1'-0"
USER NAME = stonlajger