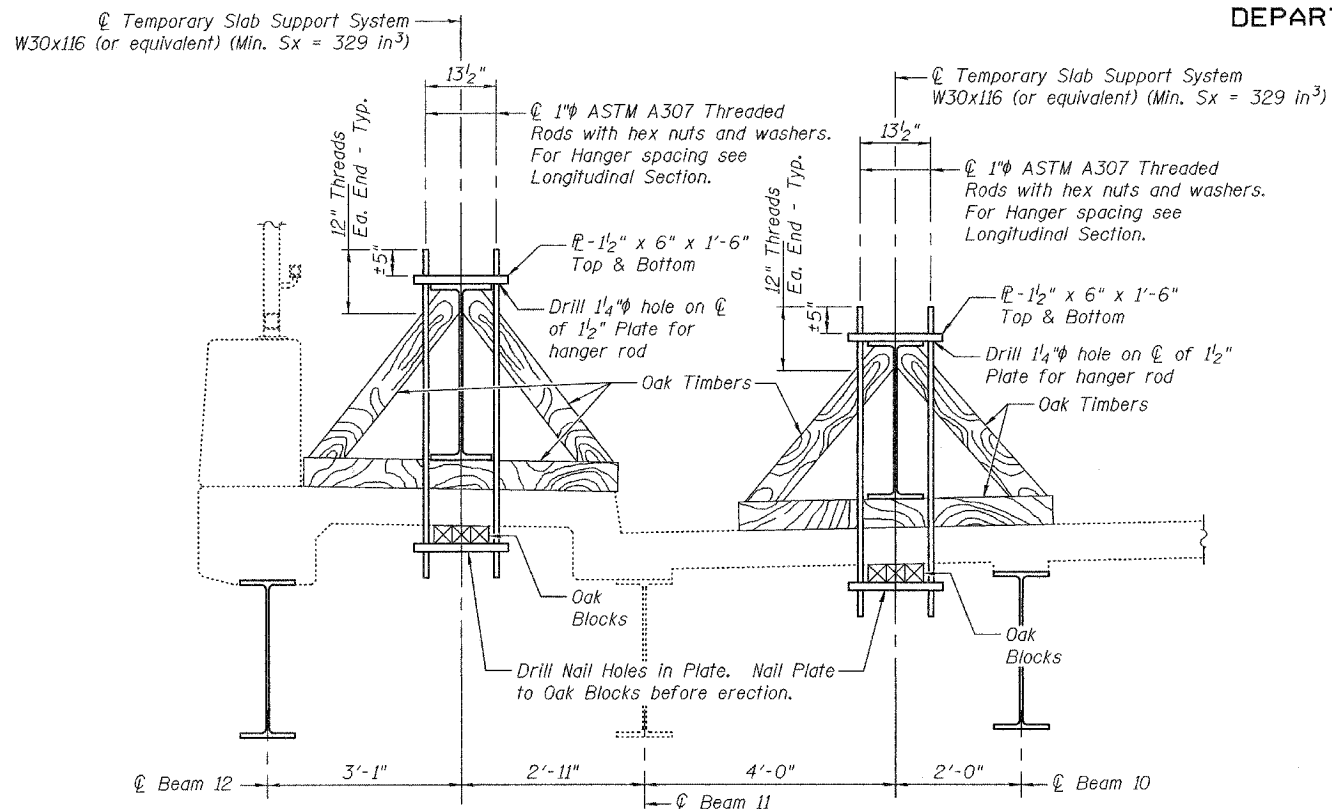


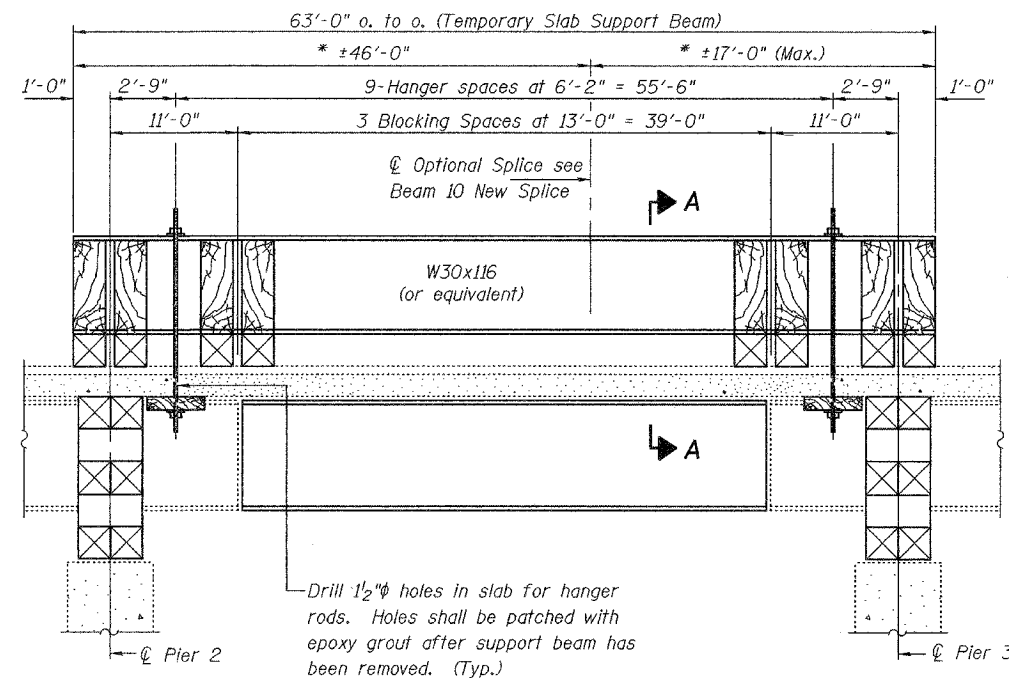
STATE OF ILLINOIS
DEPARTMENT OF TRANSPORTATION

ROUTE NO.	SECTION	COUNTY	LISTED SHEETS	SHEET NO.	SHEET NO. 3 5 SHEETS
		Cook	10	7	
FED. ROAD DIST. NO. 7		ILLINOIS FED. AID PROJECT			
Contract Number: 62957					

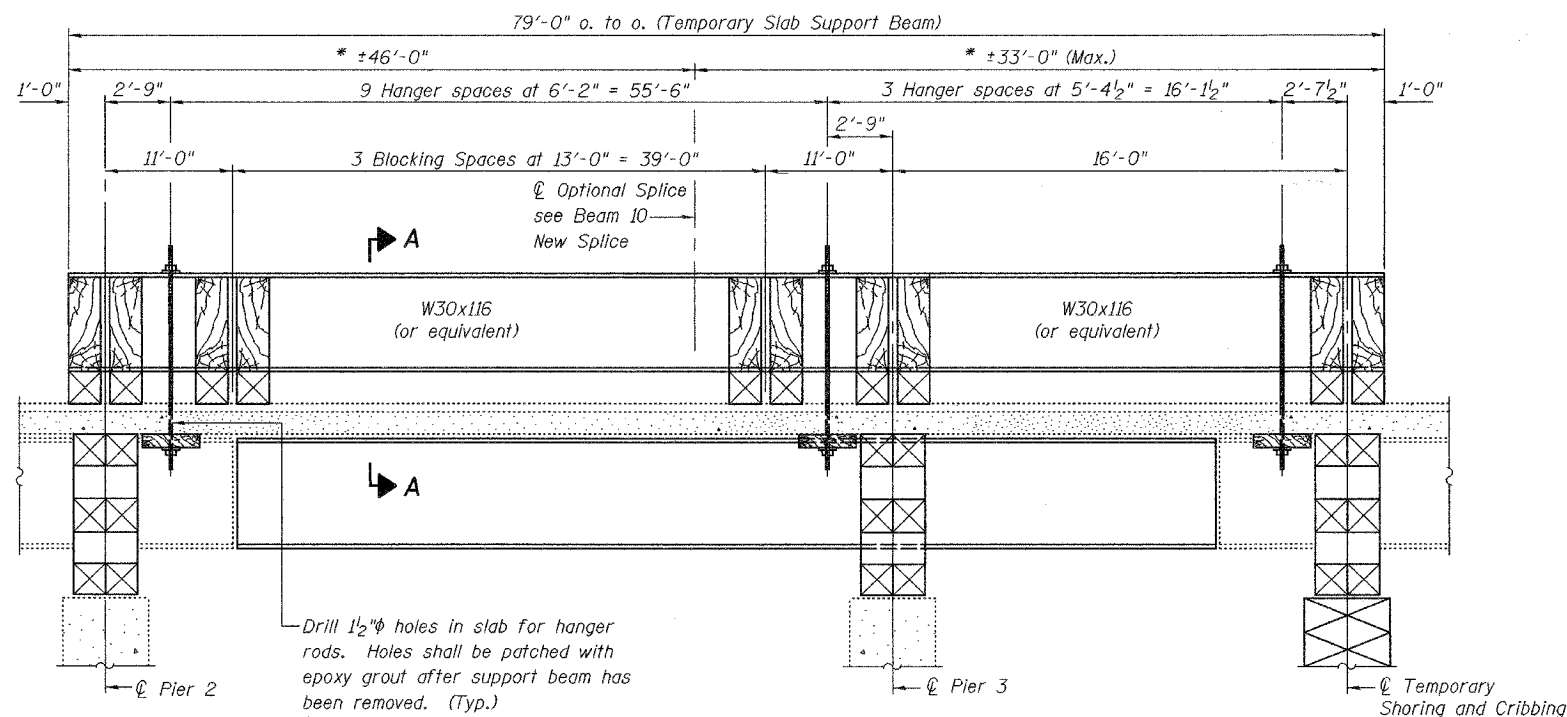


SECTION A-A

* These dimensions may vary for available beams in stock.



LONGITUDINAL SECTION BEAM 10
SUGGESTED TEMPORARY SLAB SUPPORT SYSTEM



LONGITUDINAL SECTION BEAM 12
SUGGESTED TEMPORARY SLAB SUPPORT SYSTEM

DESIGNED	P.S.J.
CHECKED	A.T.H.
DRAWN	Drew Christopher
CHECKED	P.S.J. / A.T.H.

November 9, 2005

EXAMINED *John A. Morris*
ENGINEER OF STRUCTURAL SERVICES

PASSED *Ralph E. Anderson*
ENGINEER OF BRIDGES AND STRUCTURES

TEMPORARY SUPPORT DETAILS
CHURCH STREET / I-94
COOK COUNTY
SN 016-0825