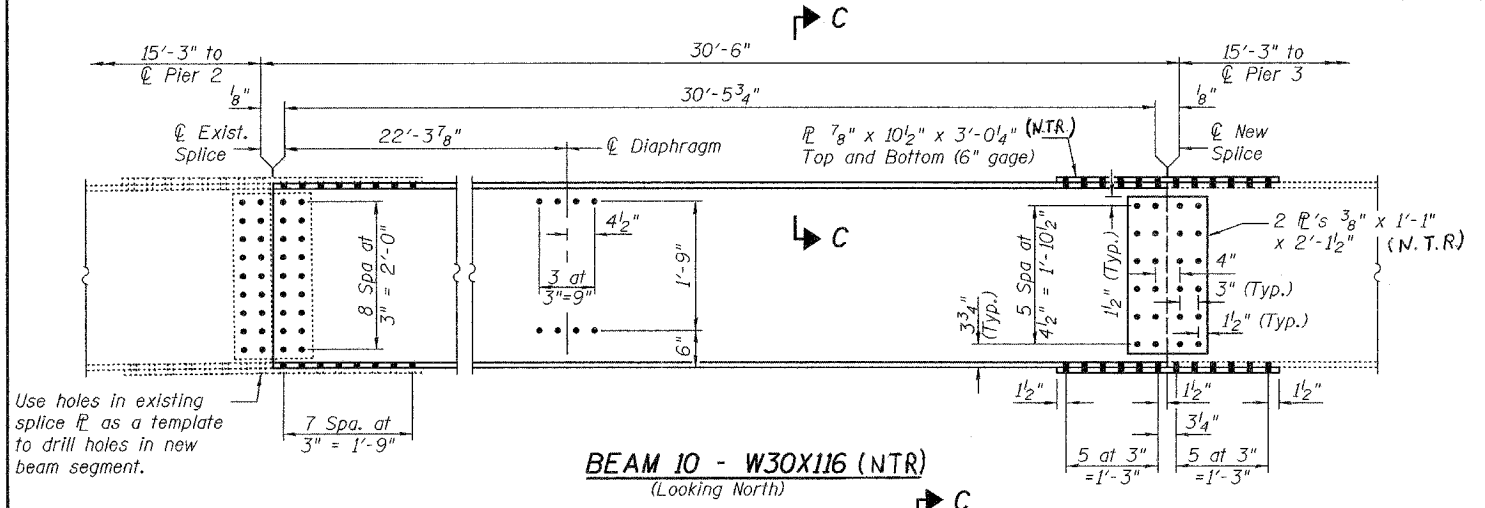


STATE OF ILLINOIS  
DEPARTMENT OF TRANSPORTATION

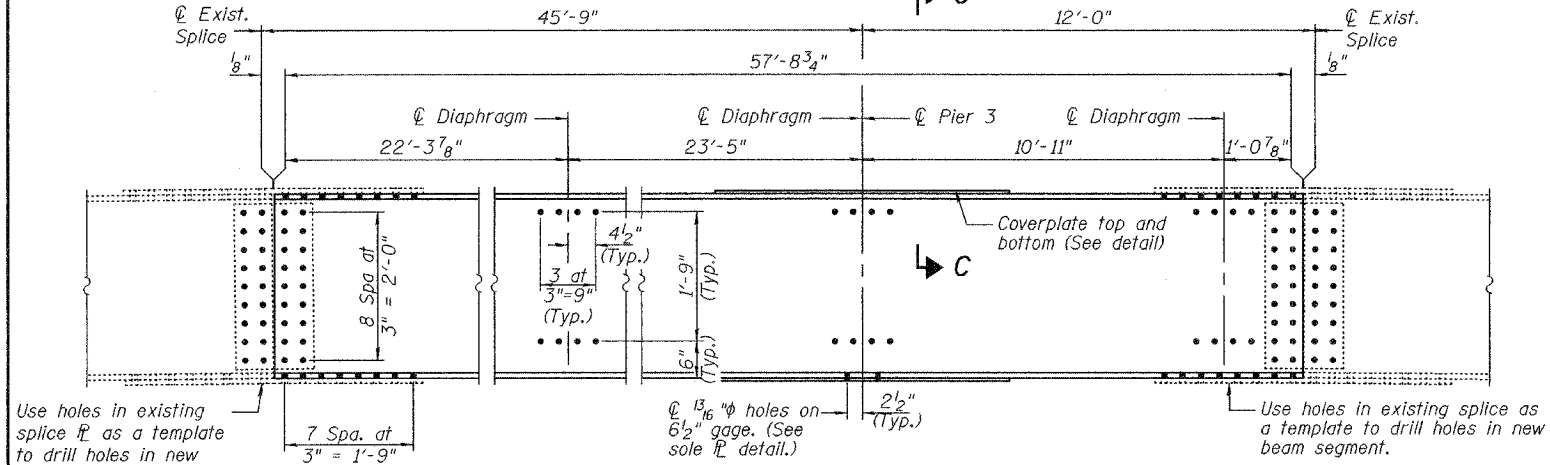
ROUTE NO.	SECTION	COUNTY	SHEETS	SHEET NO.
		Cook	10	9
FED. ROAD DIST. NO. 7		ILLINOIS FED. AID PROJECT		

Contract Number: 62957

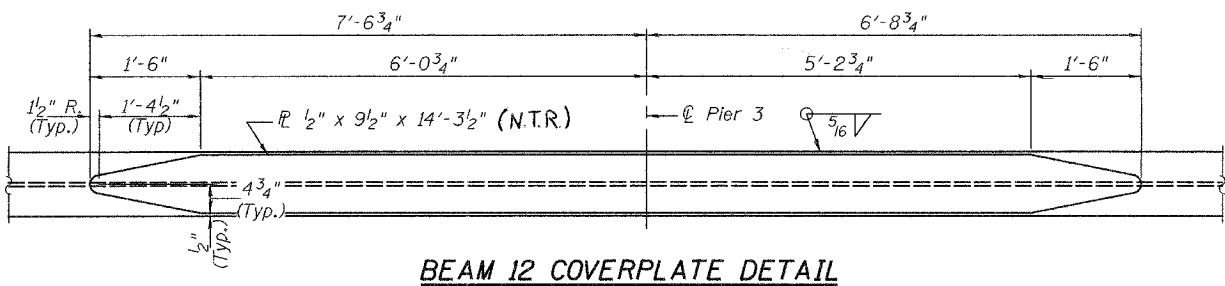
SHEET NO. 5  
5 SHEETS



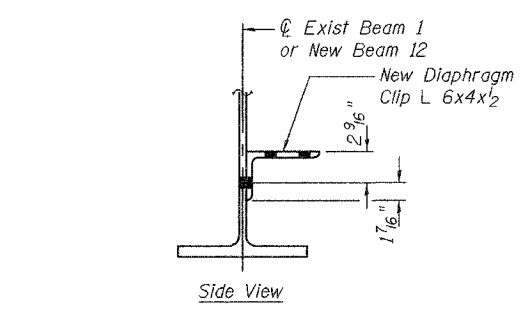
**BEAM 10 - W30X116 (NTR)**  
(Looking North)



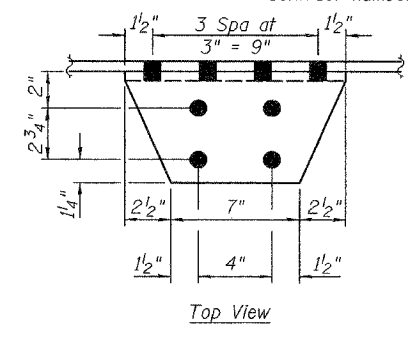
**BEAM 12 - W30X116 (NTR)**  
(Looking North)



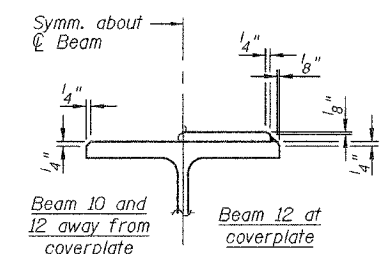
**BEAM 12 COVERPLATE DETAIL**



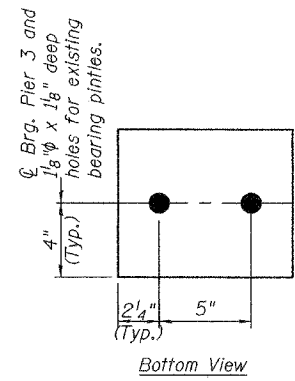
**DIAPHRAGM CLIP ANGLE**



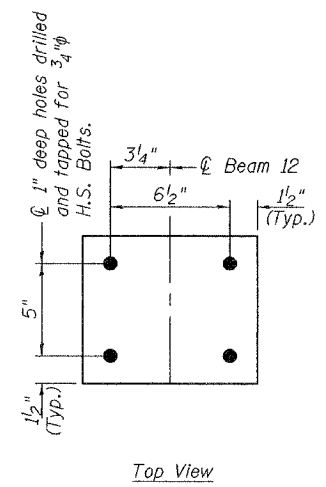
Top View



**SECTION C-C**

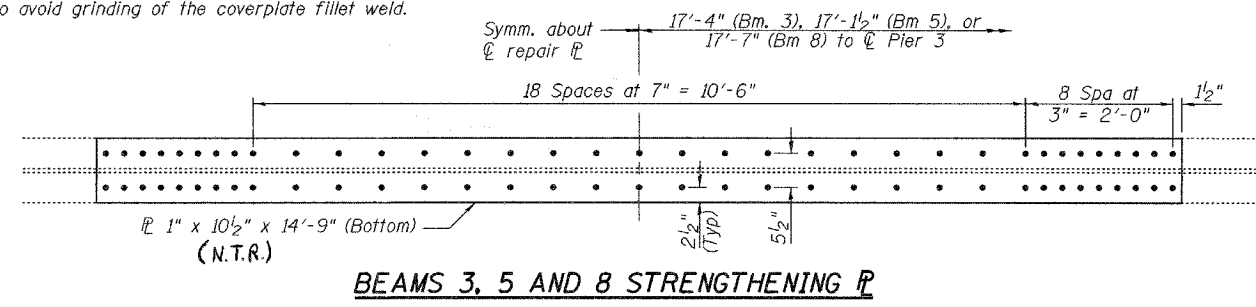


Bottom View

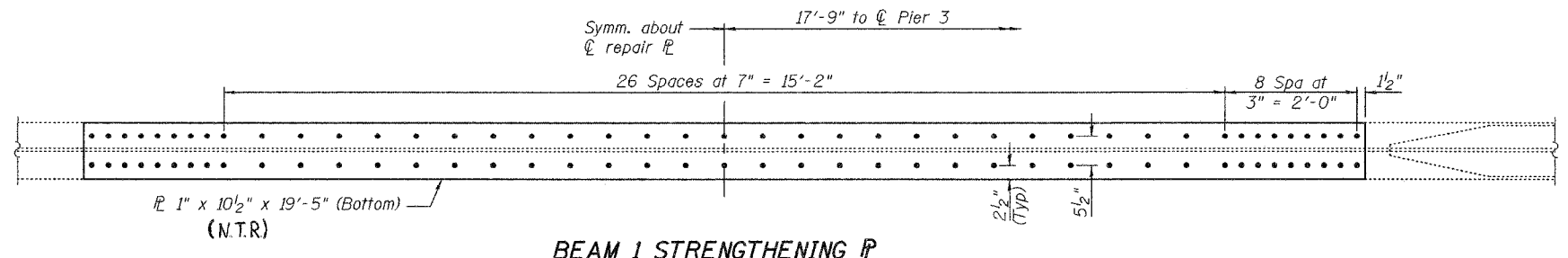


Top View

**SOLE PLATE 2 1/4" x 8" x 9 1/2"**



**BEAMS 3, 5 AND 8 STRENGTHENING**



**BEAM 1 STRENGTHENING**

DESIGNED	P.S.J.
CHECKED	A.T.H.
DRAWN	Drew Christopher
CHECKED	P.S.J. / A.T.H.

November 9, 2005  
EXAMINED *John A. Morris*  
ENGINEER OF STRUCTURAL SERVICES  
PASSED *Ralph E. Anderson*  
ENGINEER OF BRIDGES AND STRUCTURES

Notes:  
Strengthening bars and associated hardware is included in Structural Steel Repair. All remaining steel is included with Furnishing and Erecting Structural Steel.  
The cost of all field drilling required for installation of the steel members is included with the appropriate steel pay item.

**STEEL REPAIR DETAILS**  
**CHURCH STREET / I-94**  
**COOK COUNTY**  
**SN 016-0825**