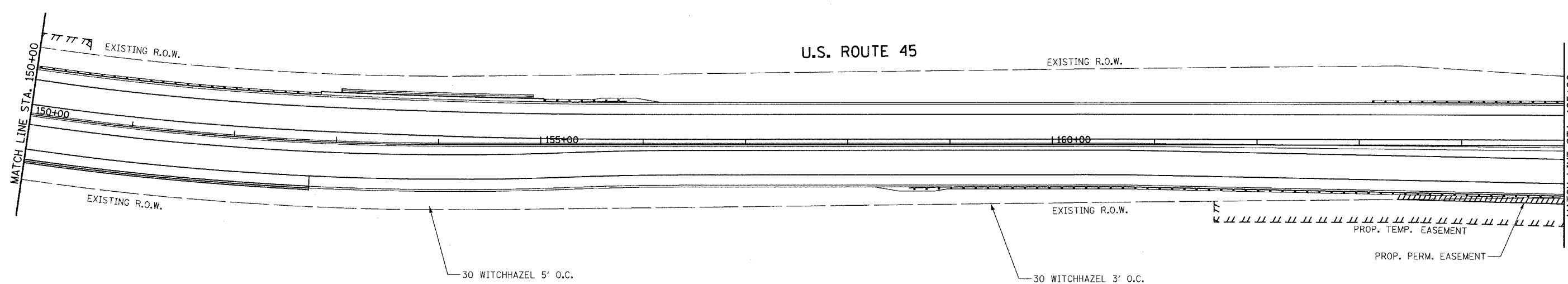
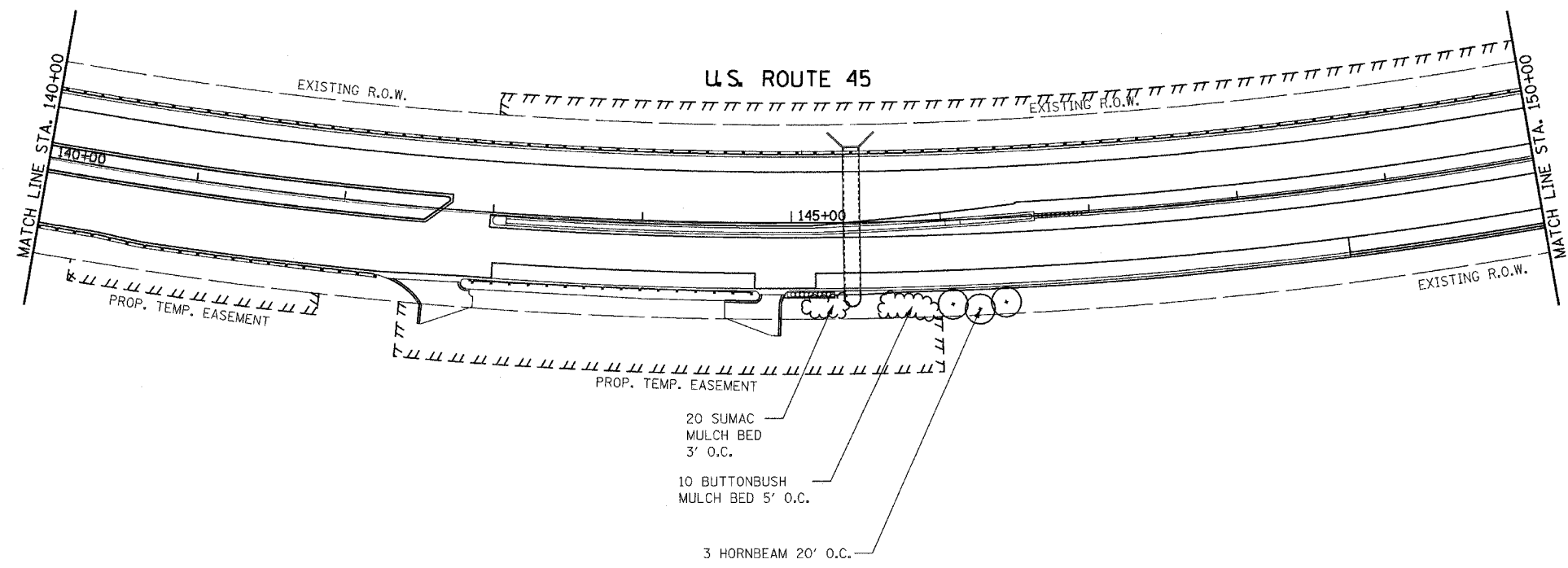


F&P RTE.	SECTION	COUNTY	TOTAL SHEETS	SHEET NO.
330	(102 & 102X) LS	COOK	14	6
STA.	140+00	TO STA.	165+00	
FED. ROAD DIST. NO. 1	ILLINOIS	FED. AID PROJECT		

D-91-227-05



ILLINOIS DEPARTMENT OF TRANSPORTATION
DISTRICT NO. 1 SCHAUMBURG
LANDSCAPING PLAN
U.S. ROUTE 45
SCALE AS SHOWN DRAWN BY BSB
DATE OCT 25, 2005 CHECKED BY CES