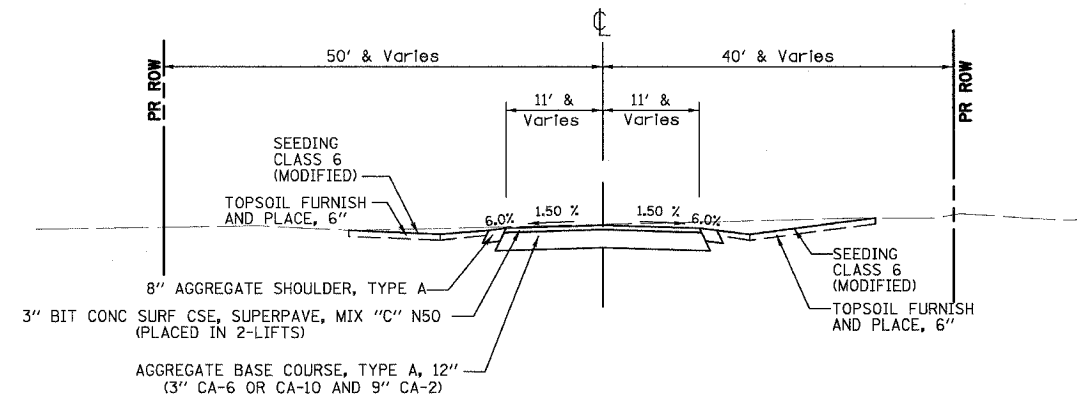


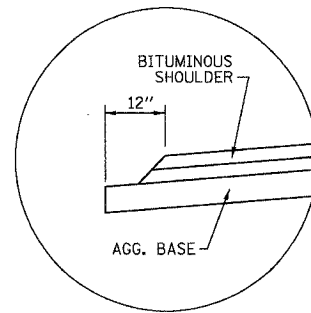
F.A.P. RTE.	SECTION	COUNTY	TOTAL SHEETS	SHEET NO.
301	*	STEPHENSON	290	15
STA. TO STA.				
FED. ROAD DIST. NO. 2 ILLINOIS FED. AID PROJECT				

* 177-13, 4, 4-1-1

SMOKEY HOLLOW ROAD



PROPOSED TYPICAL SECTION
STATION 890+90.01 TO STATION 902+76.49



BASE COURSE DETAIL ON SMOKEY HOLLOW ROAD

NOTES:

1. THIS CONTRACT DOES INCLUDE PAVING WORK ON US ROUTE 20 MAINLINE.
2. STANDARD DITCH IS 3' DEEP.
3. FORESLOPE SHALL BREAK TO 1:3 WHEN IT EXTENDS MORE THAN 35' FROM PROPOSED EDGE OF PAVEMENT.
4. SEE CROSS SECTIONS FOR AREAS OF TOPSOIL EXCAVATION AND PLACEMENT.
5. IN AREAS OF ROCK CUT PLACE 12" OF TOPSOIL.
6. THE FOLLOWING UNIT WEIGHTS WERE USED IN CALCULATING THE BITUMINOUS QUANTITIES:
112/LBS/SY/IN - SURFACE COURSE
112/LBS/SY/IN - BINDER COURSE
115/LBS/SY/IN - SUB-BASE GRANULAR MATERIAL

REVISIONS	
NAME	DATE
PRE-FINAL	5/24/05

ILLINOIS DEPARTMENT OF TRANSPORTATION

TYPICAL SECTIONS
SMOKEY HOLLOW ROAD

SCALE: VERT. N/A
HORIZ. N/A
DATE 10/28/05

DRAWN BY TVN
CHECKED BY JAM