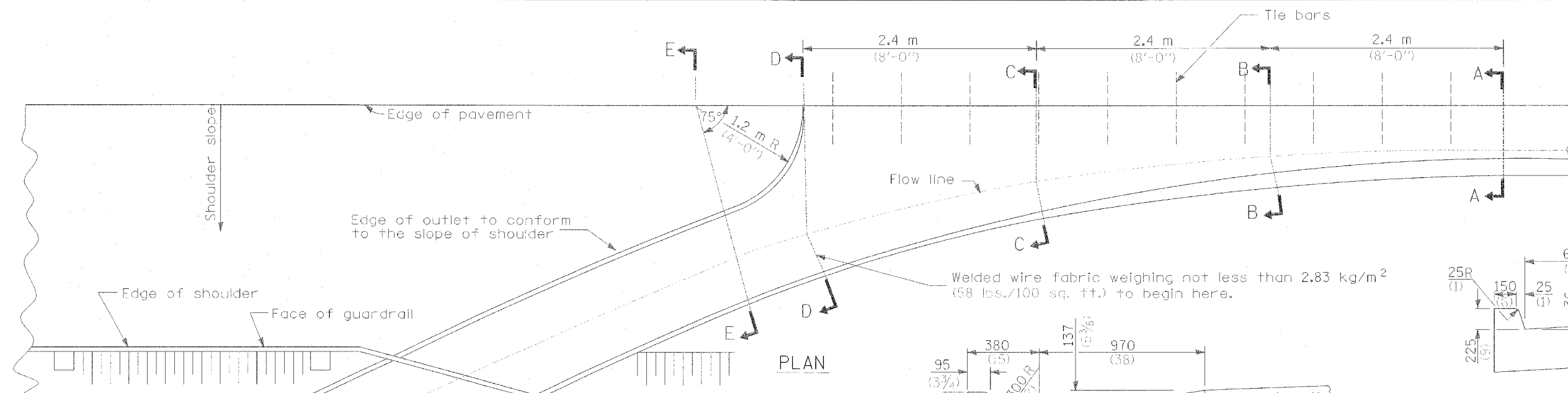
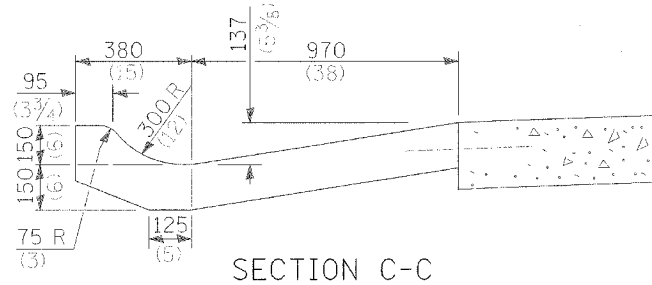


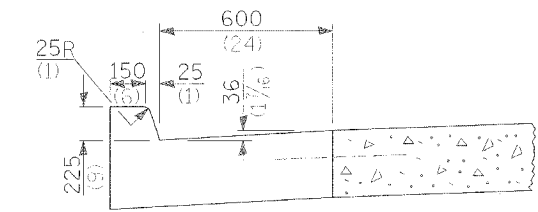
F.A.P. RTE.	SECTION	COUNTY	TOTAL SHEETS	SHEET NO.
301	28-50-M	JO DAVIESS	27	16
STA.	TO STA.			
FED. ROAD DIST. NO.	ILLINOIS	FED. AID PROJECT		



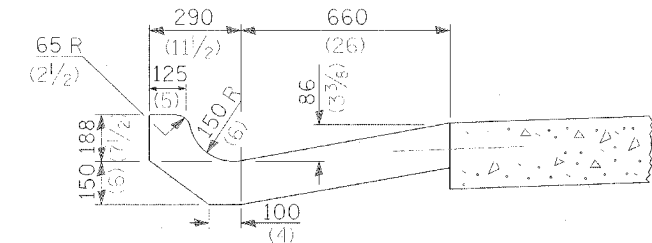
PLAN



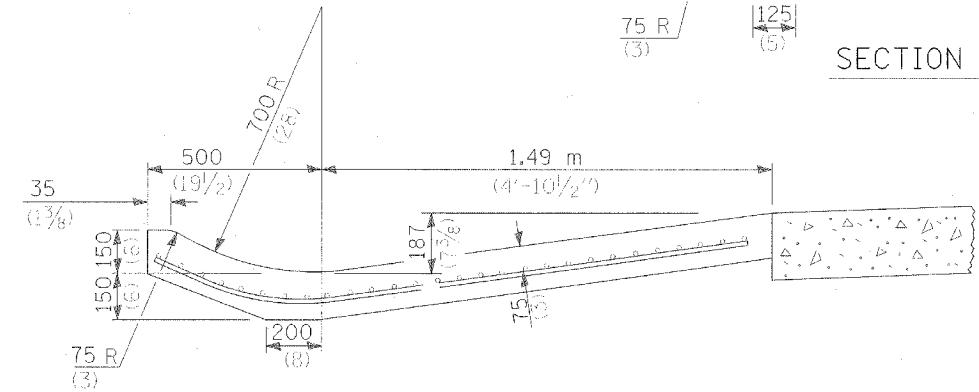
SECTION C-C



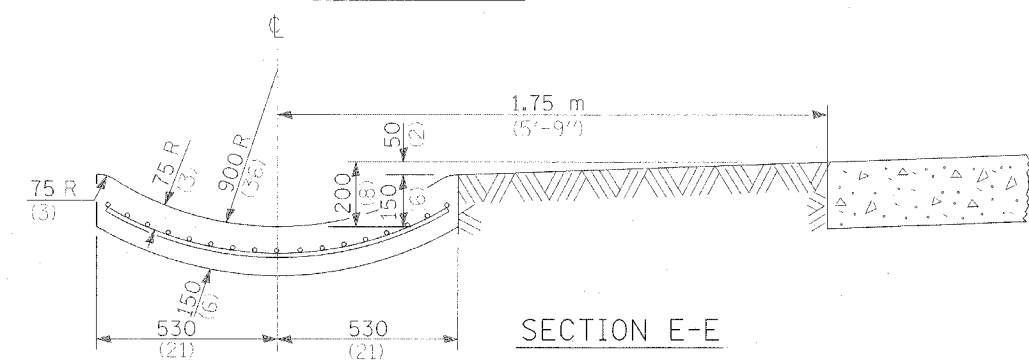
SECTION A-A



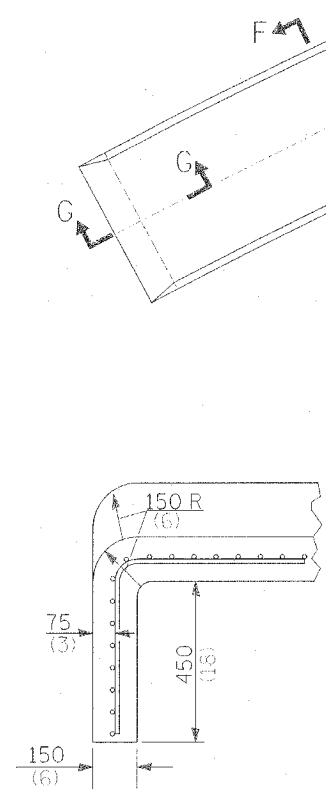
SECTION B-B



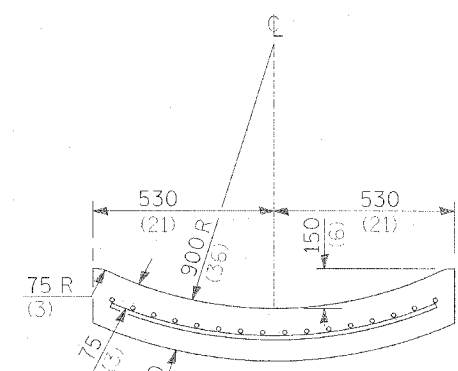
SECTION D-D



SECTION E-E



SECTION G-G



SECTION F-F

GENERAL NOTES

Tie bars shall be No. 20 (No. 6) at 600 mm (24") centers unless otherwise shown.

Cutter outlet shall be tied to the pavement in accordance with details for longitudinal construction joint shown on Standard 420001.

If the average grade of pavement for the distance from Section A-A to D-D exceeds 2%, this distance shall be increased 1.8 m (6 feet) for each 1% increase in grade.

All dimensions are in millimeters (inches) unless otherwise shown.

QUANTITIES

For Section A-A to E-E and curtain wall =
 1.82 m³ (2.38 cu. yds.) concrete for (225 (9) pav't.)
 1.84 m³ (2.41 cu. yds.) concrete for (250 (10) pav't.)

For Section F-F =
 .17 m³ (0.069 cu. yds.) concrete per m (ft.)

OUTLETS FOR CONC. CURB AND GUTTER TYPE B-9.24

ILLINOIS DEPARTMENT OF TRANSPORTATION

CONSTRUCTION DETAILS

REVISIONS	
NAME	DATE

SCALE: VERT. _____
 HORIZ. _____
 DATE _____
 DRAWN BY SAM
 CHECKED BY RJA

PLT DATE = 05/12/05
 FILE NAME = 051116.dwg
 PLOT SCALE = 1:1
 REFERENCE = 485F