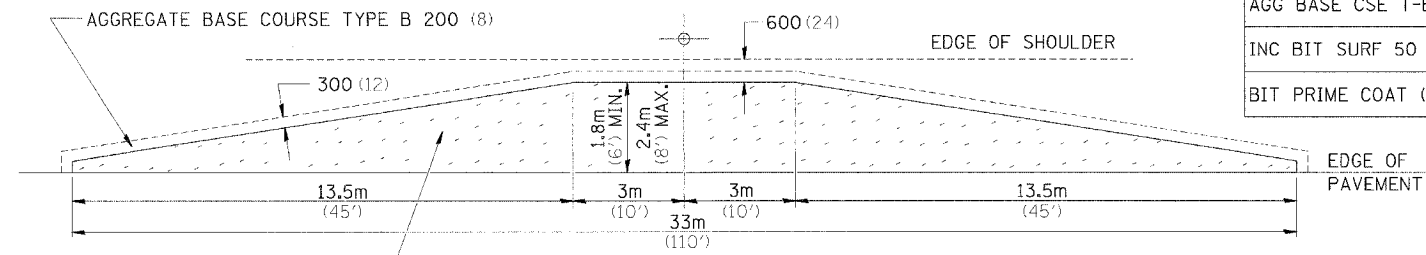
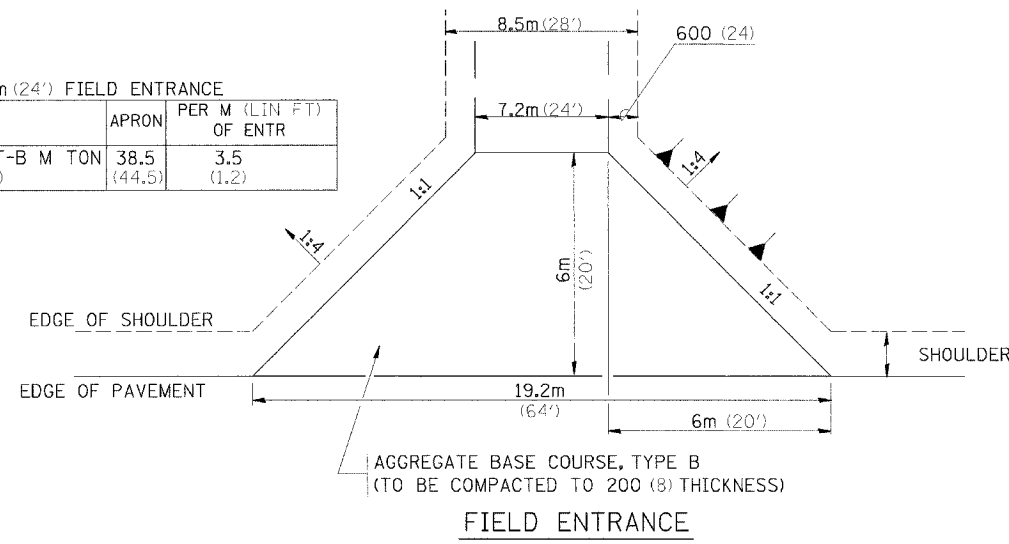


BITUMINOUS APPROACHES & MAILBOX RETURNS

F.A.P. RITE	SECTION	COUNTY	TOTAL SHEETS	SHEET NO.
699	42MFT-BR & 42MFT-T	ROCK ISLAND	90	56
STA. 404+30 & 326+50		TO STA. 411+46 +& 336+10		
FED. ROAD DIST. NO. 1		ILLINOIS		

	1.8m (6')	2.4m (8')
AGG BASE CSE T-B (TON)	22.2 (24.5)	28.2 (31.1)
INC BIT SURF 50 (2) (TON)	5.3 (5.8)	7.1 (7.8)
BIT PRIME COAT (TON)	0.05 (0.06)	0.07 (0.08)

7.2m (24') FIELD ENTRANCE		
	APRON	PER M (LIN FT) OF ENTR
AGG BASE CSE T-B M TON (TON)	38.5 (44.5)	3.5 (1.2)

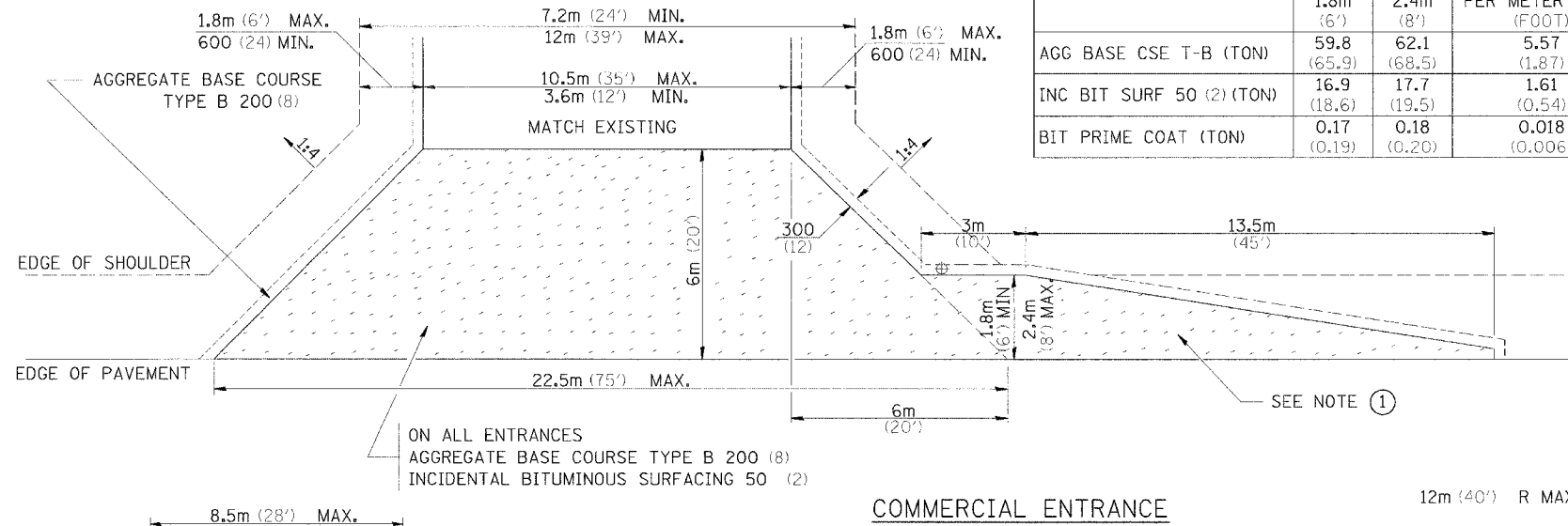


MAILBOX TURNOUT

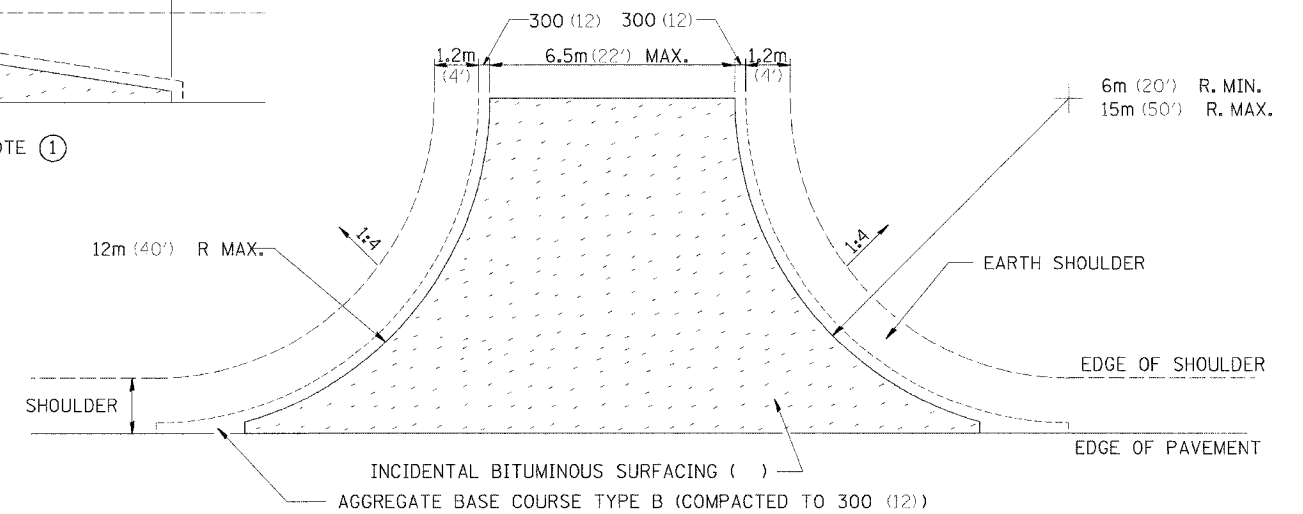
NOTE

- ① TURNOUTS ARE TO BE CONSTRUCTED ON THE APPROACH SIDE OF ALL PE & CE REGARDLESS IF A MAILBOX IS PRESENT.
- ② ALL PE & CE ARE TO BE SURFACED TO RIGHT OF WAY LINE. AREA BEHIND RIGHT OF WAY SHALL MATCH EXISTING SURFACE.
- ③ FE ARE TO BE AGGREGATE TO RIGHT OF WAY OR TOUCH DOWN, WHICH EVER IS GREATEST.
- ④ QUANTITIES ARE CALCULATED WITH 1' BITUMINOUS SHOULDER IN PLACE. AGGREGATE QUANTITIES SHOWN ARE FOR NEW CONSTRUCTION.
- ⑤ EXCAVATION REQUIRED FOR PLACEMENT OF AGGREGATE BASE COURSE SHALL BE CONSIDERED INCIDENTAL TO THE AGGREGATE BASE COURSE.
- ⑥ ALL DIMENSIONS ARE IN MILLIMETERS (INCHES) UNLESS OTHERWISE NOTED.

10.5m (35') COMMERCIAL ENTRANCE			
	1.8m (6')	2.4m (8')	PER METER ENTR (FOOT)
AGG BASE CSE T-B (TON)	59.8 (65.9)	62.1 (68.5)	5.57 (1.87)
INC BIT SURF 50 (2) (TON)	16.9 (18.6)	17.7 (19.5)	1.61 (0.54)
BIT PRIME COAT (TON)	0.17 (0.19)	0.18 (0.20)	0.018 (0.006)



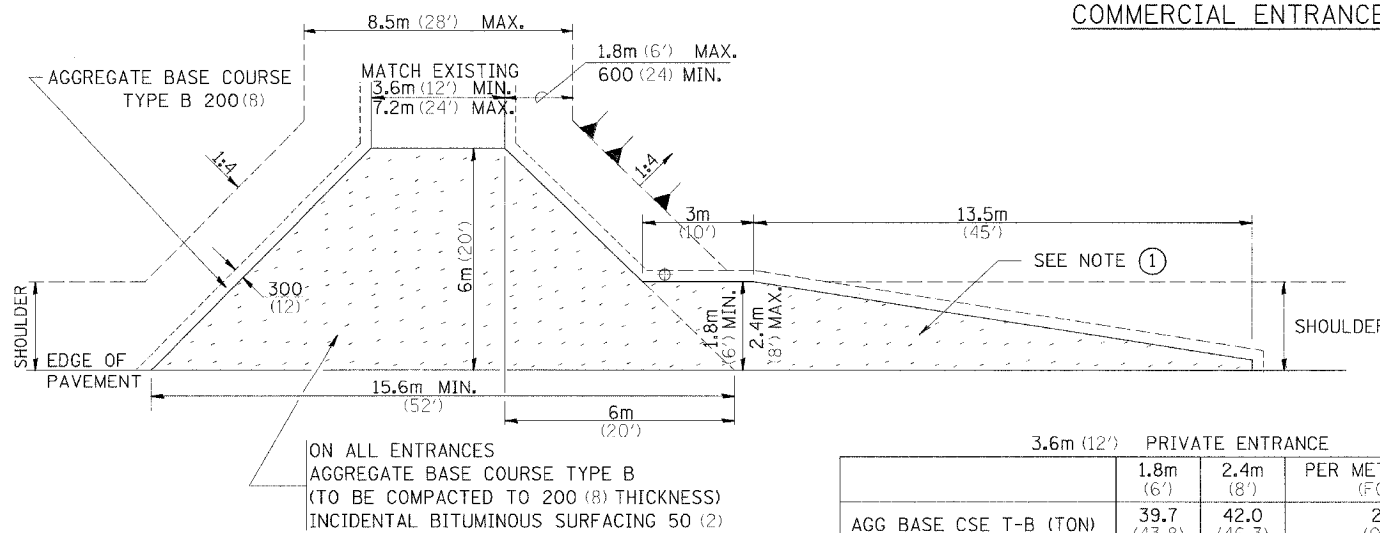
COMMERCIAL ENTRANCE



SIDE ROAD RETURN

	6m RADIUS (20')			9m RADIUS (30')			12m RADIUS (40')		
	5.5m (18')	6m (20')	6.5m (22')	5.5m (18')	6m (20')	6.5m (22')	5.5m (18')	6m (20')	6.5m (22')
AGG BASE CSE T-B (TON)	40.9 (45.1)	43.7 (48.2)	46.4 (51.2)	70.3 (77.5)	74.4 (82.0)	78.6 (86.6)	105.5 (116.3)	111.0 (122.4)	116.6 (128.5)
INC BIT SURF AT 25 (1) (TON)	3 (3.3)	3.3 (3.6)	3.4 (3.8)	5.3 (5.8)	5.5 (6.1)	5.9 (6.5)	8.0 (8.8)	8.4 (9.3)	9.0 (9.9)
BIT PRIME COAT (TON)	0.07 (0.08)	0.08 (0.09)	0.10 (0.10)	0.14 (0.15)	0.15 (0.16)	0.15 (0.17)	0.20 (0.22)	0.22 (0.24)	0.23 (0.25)

NOTE: USE 50 (2) INC. BIT. SURF. ON EXISTING RETURNS



PRIVATE ENTRANCE

3.6m (12') PRIVATE ENTRANCE			
	1.8m (6')	2.4m (8')	PER METER ENTR (FOOT)
AGG BASE CSE T-B (TON)	39.7 (43.8)	42.0 (46.3)	2.11 (0.71)
INC BIT SURF 50 (2) (TON)	10.7 (11.8)	11.5 (12.7)	0.57 (0.19)
BIT PRIME COAT (TON)	0.11 (0.12)	0.18 (0.13)	0.006 (0.002)