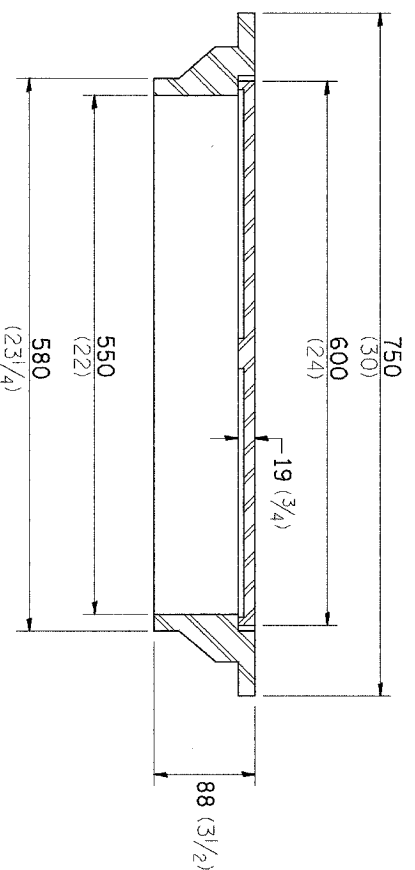
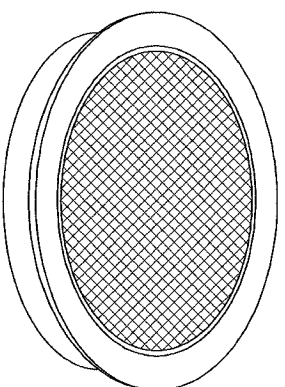


FIELD TILE JUNCTION VAULTS

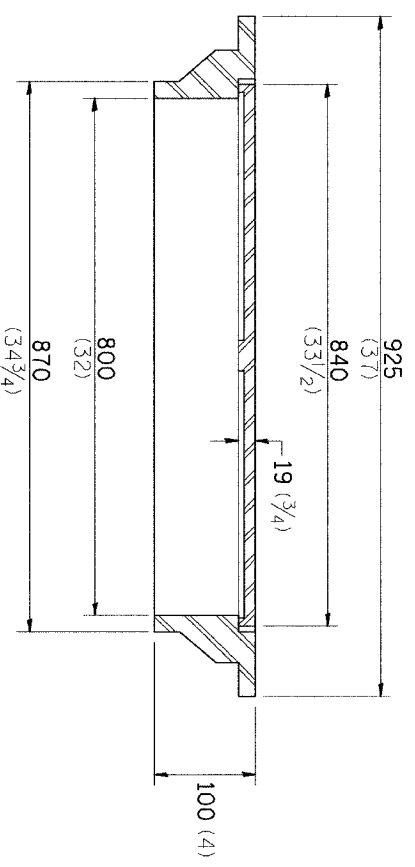
600 (24) AND 900 (36) DIA.

F.A.P. NO.	SECTION	COUNTY	TOTAL SHEETS	SHEET NO.
599	42MFT-BR & 42MFT-T	ROCK ISLAND	90	62
STA. 404+30 & 326+50 TO STA. 411+46 & 336+10				
FED. ROAD DIST. NO. 7		ILLINOIS		FED. AID PROJECT



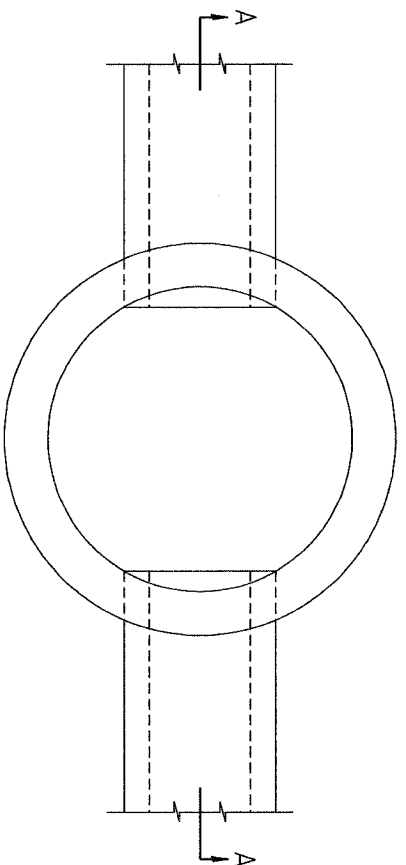
FRAME & LID FOR
600 (24) VAULT

TOTAL WEIGHT: 66 Kg (146 lbs)

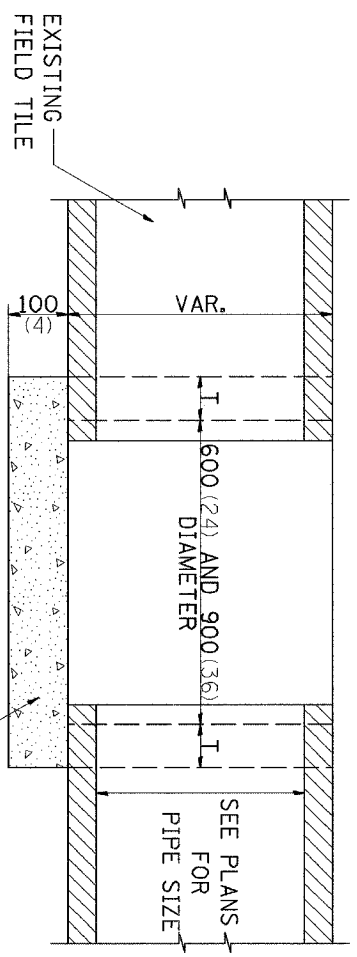


FRAME & LID FOR
900 (36) VAULT

TOTAL WEIGHT: 127 Kg (280 lbs)



PLAN

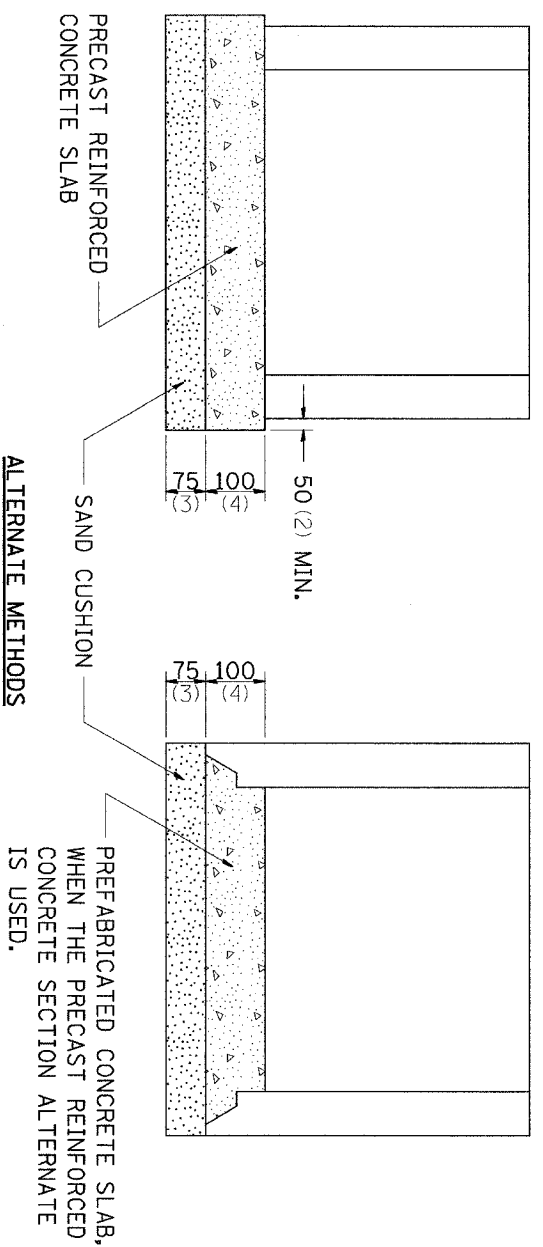


SECTION A-A

NOTE: THE FRAME AND LID IS REQUIRED ON ALL JUNCTION VAULTS.

ALTERNATE MATERIALS FOR WALLS	T
BRICK MASONRY	200 (8)
CAST-IN-PLACE CONCRETE	150 (6)
CONCRETE MASONRY UNIT	125 (5)
PRECAST REINFORCED CONCRETE SECTION	75 (3)

ALL DIMENSIONS ARE IN MILLIMETERS (INCHES) UNLESS OTHERWISE SHOWN.



ALTERNATE METHODS