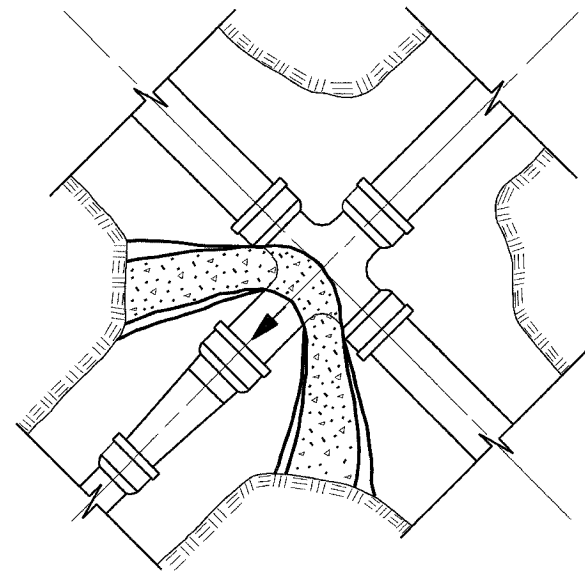


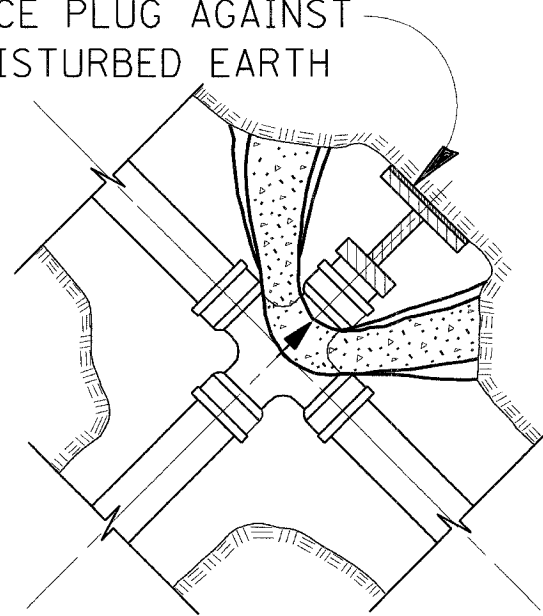
THRUST BLOCK DETAILS

F. A. P RTE.	SECTION	COUNTY	TOTAL SHEETS	SHEET NO
599	42MFT-BR & 42MFT-T	ROCK ISLAND	90	64
STA. 404+30 & 326+50		TO STA. 411+46 & 336+10		
FED. ROAD DIST. NO. 7		ILLINOIS	FED. AID PROJECT	



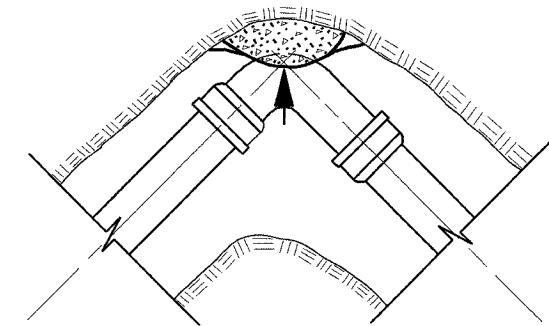
REDUCING CROSS

BRACE PLUG AGAINST
UNDISTURBED EARTH

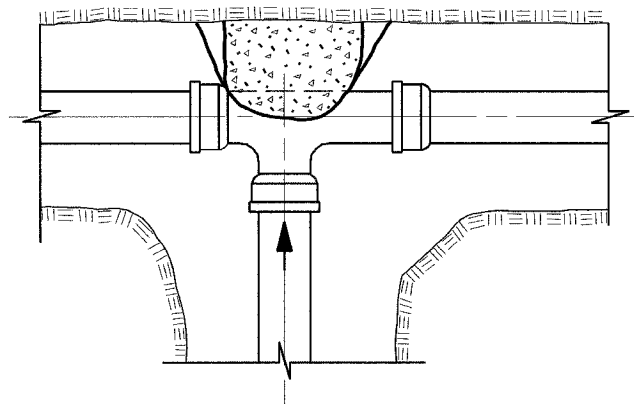


PLUGGED CROSS

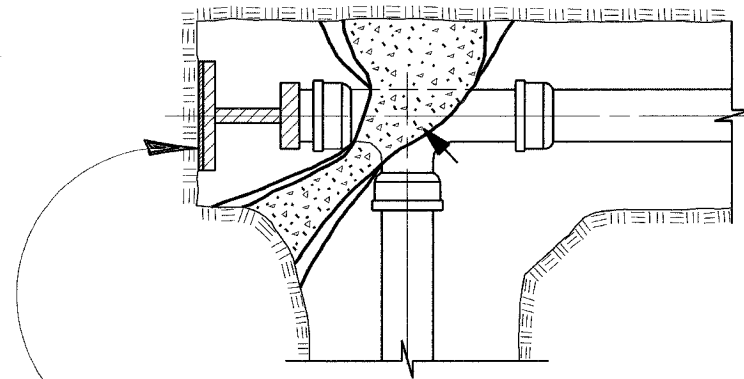
ALL DIMENSIONS ARE IN MILLIMETERS (INCHES)
UNLESS OTHERWISE SHOWN.



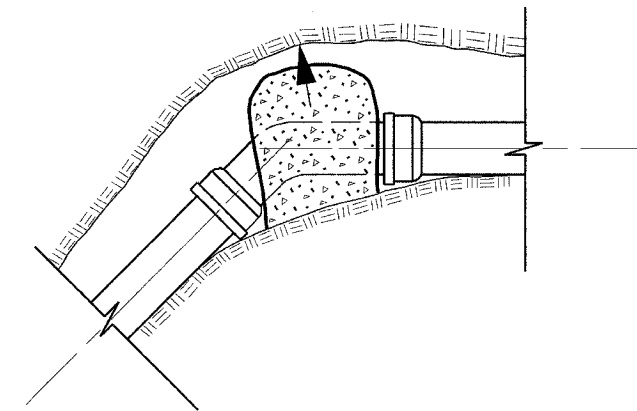
90° ELBOW



TEE



BRACE PLUG AGAINST
UNDISTURBED EARTH
PLUGGED TEE



VERTICAL BEND

NOTES:
ALL BLOCKS TO BEAR AGAINST UNDISTURBED EARTH.
ARROWS INDICATE DIRECTION OF THRUST.
ALL BLOCKS TO BE CLASS SI CONCRETE.
ALL FITTINGS SHOWN IN PLAN EXCEPT VERTICAL BEND.