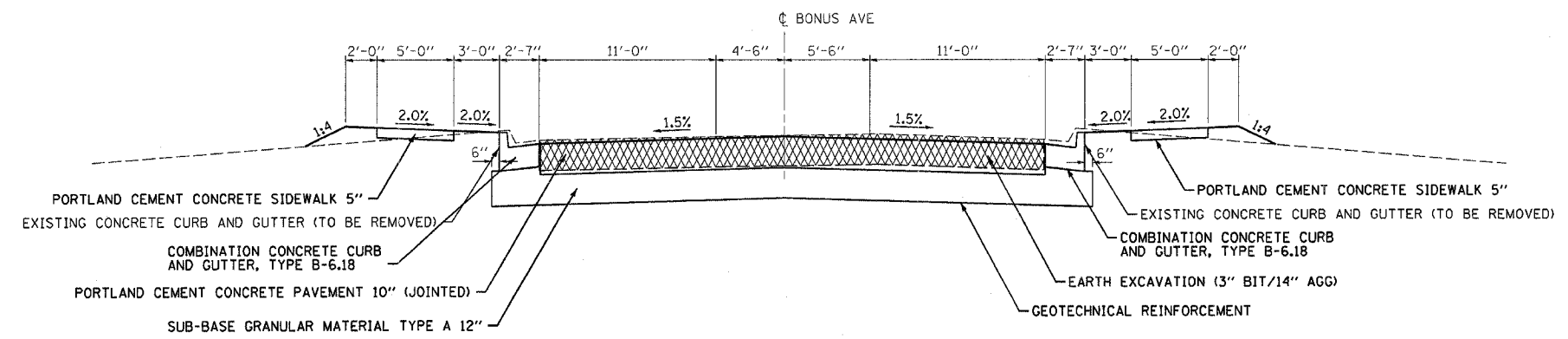


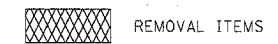
F.A.P. RTE.	SECTION	COUNTY	TOTAL SHEETS	SHEET NO.
517	L-M-3	BOONE	68	7
STA.		TO STA.		
FED. ROAD DIST. NO.		ILLINOIS FED. AID PROJECT		

BONUS AVE
STA. 107+67.50 - STA. 109+82

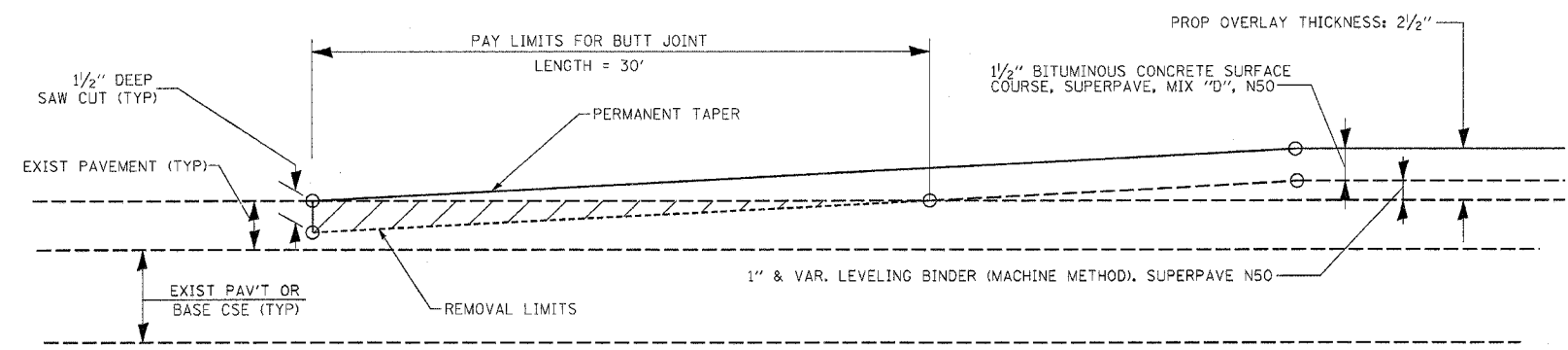


STRUCTURAL DESIGN TRAFFIC:	Year	2016
PV	14575	SU= 675 MU= 811
ROAD/STREET CLASSIFICATION:	Class	Class II
PERCENT OF STRUCTURAL DESIGN TRAFFIC IN DESIGN LANE:		
P =	50%	S = 50% M = 50%
TRAFFIC FACTOR:	Actual TF	5.54
SUBGRADE SUPPORT RATING:		
SSR =	Poor	(Sta 296+25.53 to 317+75.00)

LEGEND



NOTE: SURFACE AND BINDER COURSES = 112 lb/in/sq yd



BUTT JOINT DETAIL
STA. 110+35 TO STA. 110+65 BONUS AVE.
STA. 1014+67 TO STA. 1014+97 BONUS AVE. & MARENGO RD.

GENERAL NOTES

1. THE WORK SHALL BE DONE IN ACCORDANCE WITH ARTICLE 406.18
2. THE SAW CUT JOINTS SHALL BE PRIMED JUST PRIOR TO THE PLACING OF BITUMINOUS MATERIAL. THE WORK WILL BE IN ACCORDANCE WITH THE APPLICABLE PORTIONS OF ARTICLE 406.06.

PLOT DATE = Thu Nov 19 10:41:01 2008
 FILE NAME = P:\MARENGO STUTZ\Projects\Work Order #505 28 BR & Bonus Ave\10-02-08-08-08-08.dgn
 PLOT SCALE = 1/8" = 1'-0"
 REFERENCE = #REF#