

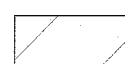
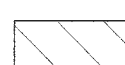
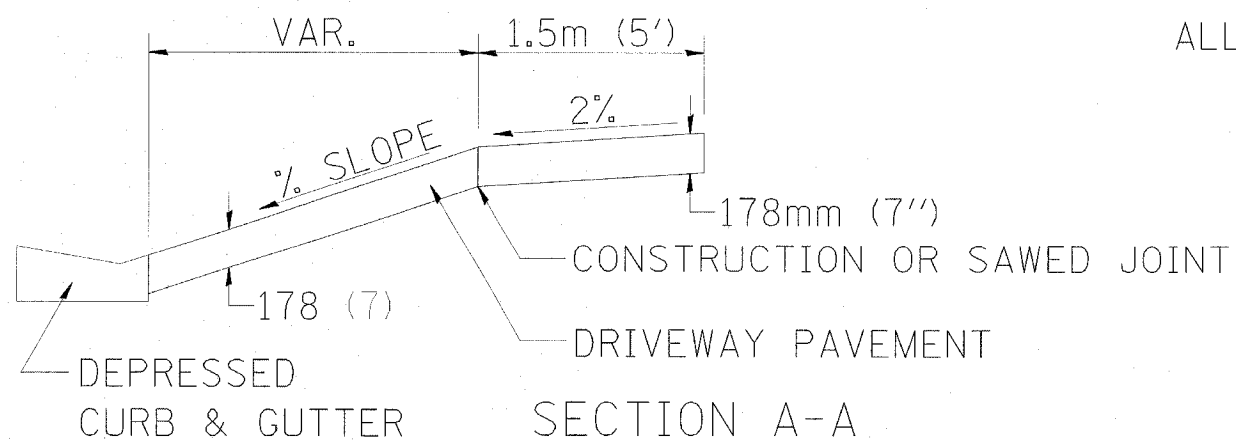
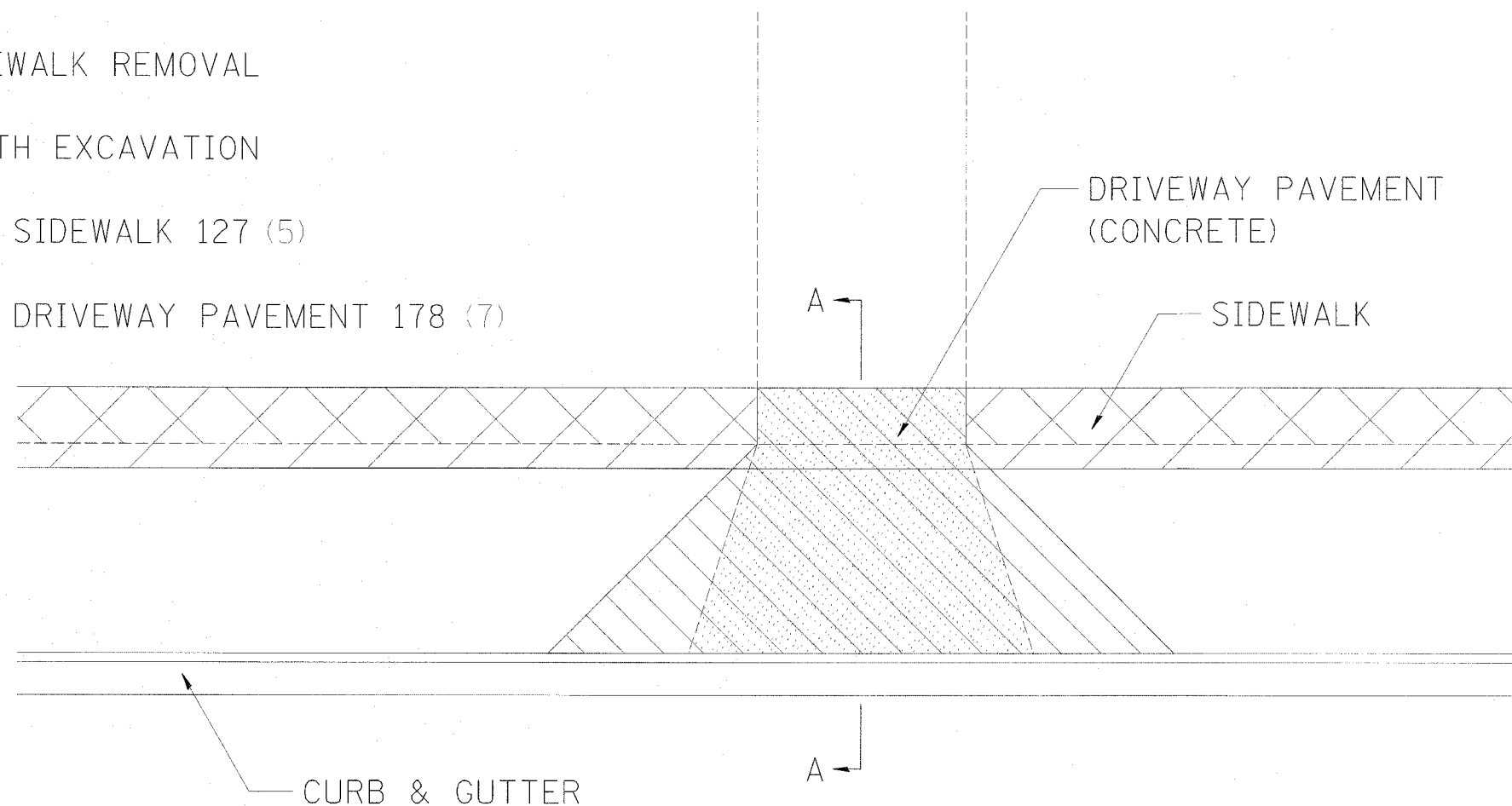


| F.A.P. RTE. | SECTION | COUNTY | TOTAL SHEETS | SHEET NO. |
|---------------------|---------|----------|------------------|-----------|
| 517 | L-M-3 | BOONE | 68 | 38 |
| STA. | | TO STA. | | |
| FED. ROAD DIST. NO. | | ILLINOIS | FED. AID PROJECT | |

SIDEWALK AND DRIVEWAY PAVEMENT PAY AREAS

PAY FOR AS

-  SIDEWALK REMOVAL
-  EARTH EXCAVATION
-  PCC SIDEWALK 127 (5)
-  PCC DRIVEWAY PAVEMENT 178 (7)



ALL DIMENSIONS ARE IN MILLIMETERS (INCHES)
UNLESS OTHERWISE NOTED.

FOR DETAILS ON DIMENSIONS
AND GRADES, SEE DISTRICT
STANDARD 25.1 OR PLANS.