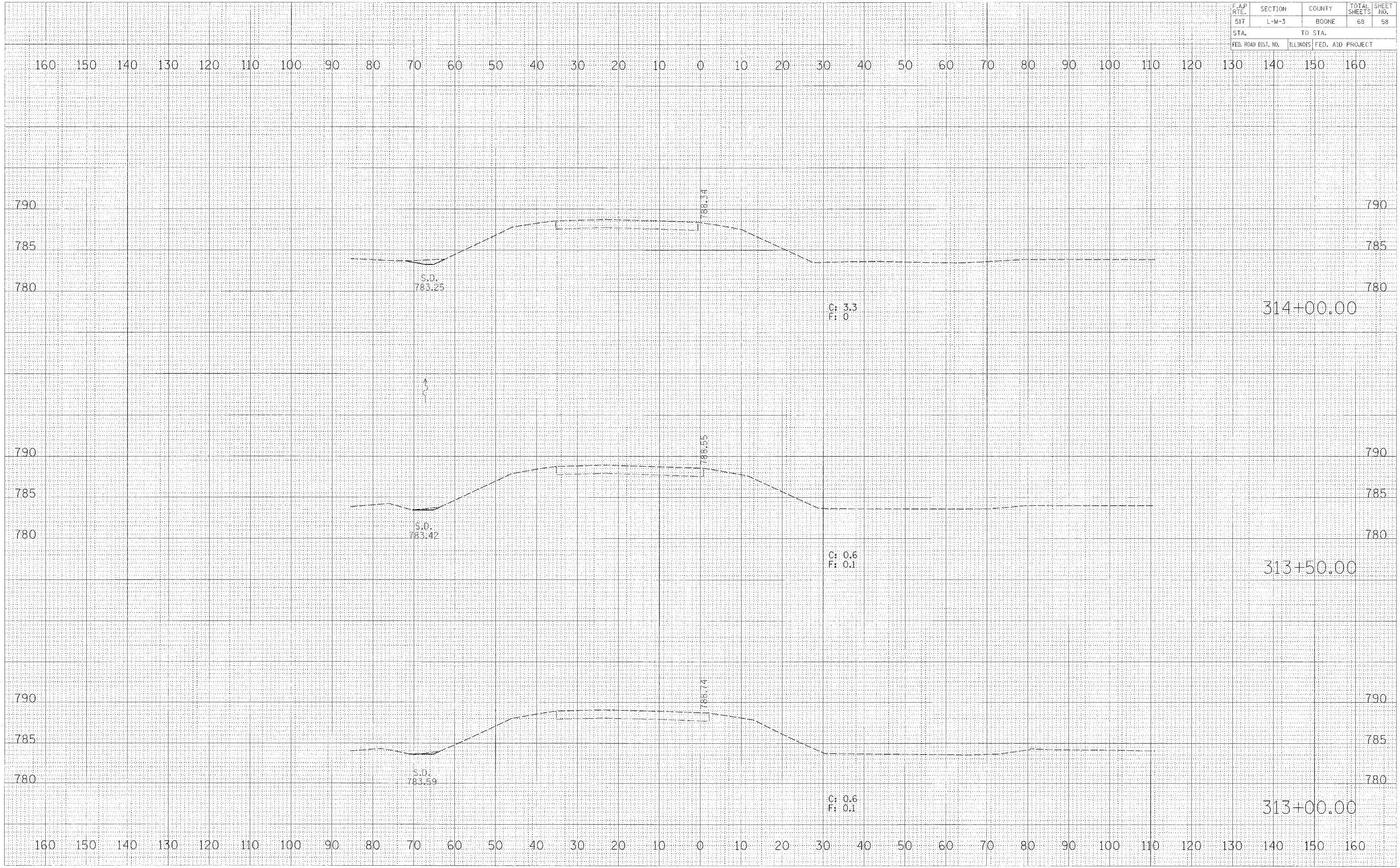


F.A.P. RTE.	SECTION	COUNTY	TOTAL SHEETS	SHEET NO.
517	L-M-3	BOONE	68	58
STA.		TO STA.		
FED. ROAD DIST. NO.		ILLINOIS		FED. AID PROJECT



DATE	
BY	
DESIGNED	
PLOTTED	
TEMPLATE	
AREAS CHECKED	
ASUS CHECKED	
NO.	

DATE	
BY	
DESIGNED	
PLOTTED	
TEMPLATE	
AREAS CHECKED	
ASUS CHECKED	
NO.	

PLOT DATE = #DATE#
 FILE NAME = #FILE#
 REFERENCE = #REF#