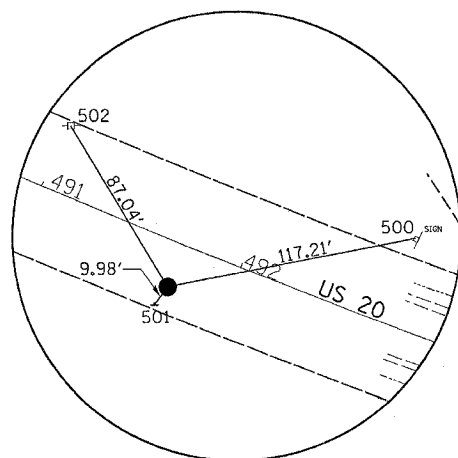
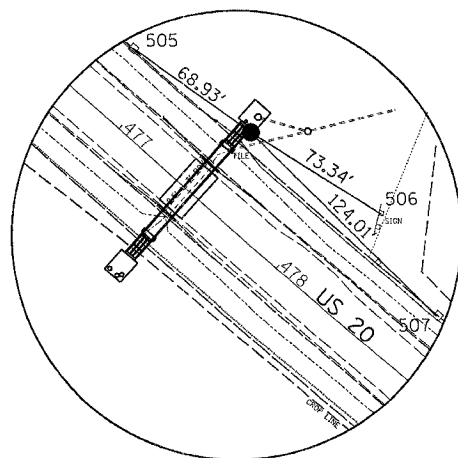


| | | | | |
|---------------------|---------|---------------------------|--------------|-----------|
| F.A.P. RTE. | SECTION | COUNTY | TOTAL SHEETS | SHEET NO. |
| 301 | 21T | STEPHENSON | 49 | 9 |
| STA. | | TO STA. | | |
| FED. ROAD DIST. NO. | | ILLINOIS FED. AID PROJECT | | |

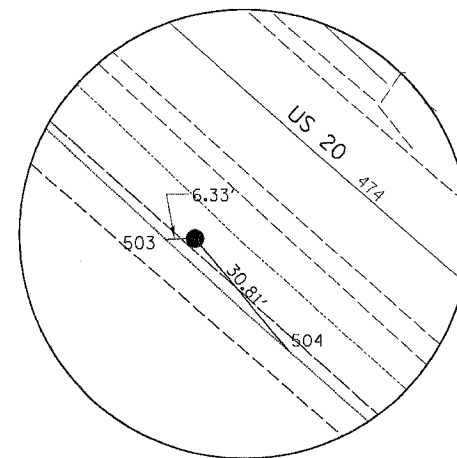
HORIZONTAL & VERTICAL CONTROL



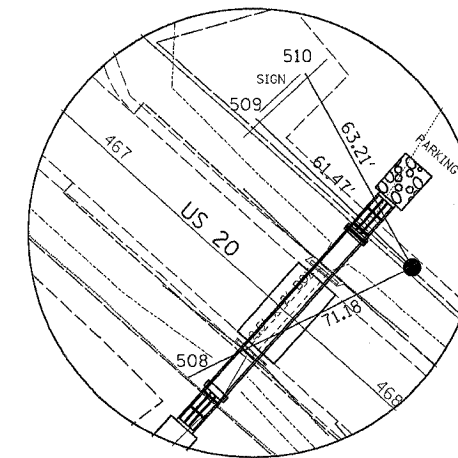
HORIZONTAL CONTROL POINT NO. 2



HORIZONTAL CONTROL POINT NO. 3



HORIZONTAL CONTROL POINT NO. 4



HORIZONTAL CONTROL POINT NO. 5

HORIZONTAL CONTROL POINTS

| POINT | NORTH | EAST | ELEVATION | CHAIN | STATION | OFFSET | DESCRIPTION |
|-------|--------------|--------------|-----------|-------|-------------|-------------|-------------------|
| 1 | 2062100.4770 | 2408143.7270 | 914.9230 | us20 | 499+34.3705 | 32.1997' LT | GPS CONTROL POINT |
| 2 | 2062269.0740 | 2407400.4270 | 922.5150 | us20 | 491+71.8874 | 21.0056' RT | GPS CONTROL POINT |
| 3 | 2063069.3270 | 2406233.5700 | 912.7480 | us20 | 477+48.0249 | 40.4376' LT | GPS CONTROL POINT |
| 4 | 2063272.8540 | 2405899.4520 | 917.6470 | us20 | 473+63.3261 | 31.0385' RT | GPS CONTROL POINT |
| 5 | 2063704.8740 | 2405514.3780 | 914.9080 | us20 | 467+88.2220 | 33.6036' LT | GPS CONTROL POINT |

BENCH MARKS

| POINT | NORTH | EAST | ELEVATION | CHAIN | STATION | OFFSET | DESCRIPTION |
|-------|--------------|--------------|-----------|-------|-------------|---------------|--------------------------|
| 402 | 2062344.7580 | 2407355.9090 | 924.0070 | us20 | 491+01.6117 | 31.7632' LT | POWER POLE W/TRANSFORMER |
| 404 | 2063293.1160 | 2405973.2670 | 917.7400 | us20 | 474+04.7637 | 33.3208' LT | SIGN |
| 405 | 2063784.0730 | 2405335.5800 | 917.4750 | us20 | 466+02.8939 | 27.6447' RT | HEADWALL : FEET |
| 416 | 2067950.2944 | 2409408.9485 | 884.2975 | us20 | 460+25.1244 | 5790.3113' LT | FENCE |
| 450 | 2066481.2665 | 2409383.4387 | 835.9748 | us20 | 511+17.7687 | 4508.2774' LT | HEADWALL : FEET |
| 451 | 2066438.9847 | 2408784.7812 | 841.8476 | us20 | 473+98.3242 | 4252.4511' LT | HEADWALL : FEET |

SURVEY WORK POINTS

| POINT | NORTH | EAST | ELEVATION | CHAIN | STATION | OFFSET | DESCRIPTION |
|-------|--------------|--------------|-----------|-------|-------------|-------------|-------------------|
| 100 | 2063527.4310 | 2405701.2050 | 915.3730 | us20 | 470+45.7785 | 26.1881' LT | TOPO SURVEY POINT |
| 101 | 2063787.5140 | 2405326.8410 | 918.0400 | us20 | 465+94.2666 | 31.1441' RT | TOPO SURVEY POINT |

REFERENCE TIES

| POINT | CHAIN | STATION | OFFSET | DESCRIPTION |
|-------|-------|-------------|-------------|--------------------------|
| 500 | us20 | 492+71.0853 | 41.8519' LT | SIGN |
| 501 | us20 | 491+69.3553 | 30.6514' RT | FENCE POST |
| 502 | us20 | 491+01.7606 | 30.6848' LT | POWER POLE W/TRANSFORMER |
| 503 | us20 | 473+58.7051 | 35.3744' RT | FENCE POST |
| 504 | us20 | 473+93.7911 | 35.6038' RT | FENCE POST |
| 505 | us20 | 476+79.3932 | 33.3486' LT | POWER POLE W/TRANSFORMER |
| 506 | us20 | 478+21.2386 | 52.1943' LT | SIGN |
| 507 | us20 | 478+72.8678 | 32.4115' LT | POWER POLE |
| 508 | us20 | 467+61.5295 | 32.3680' RT | FENCE POST |
| 509 | us20 | 467+26.7782 | 35.4646' LT | SIGN |
| 510 | us20 | 467+28.5956 | 54.5890' LT | SIGN |

DATE-TIME
 DCN-SPEC
 REF01
 REF04
 REF05
 REF