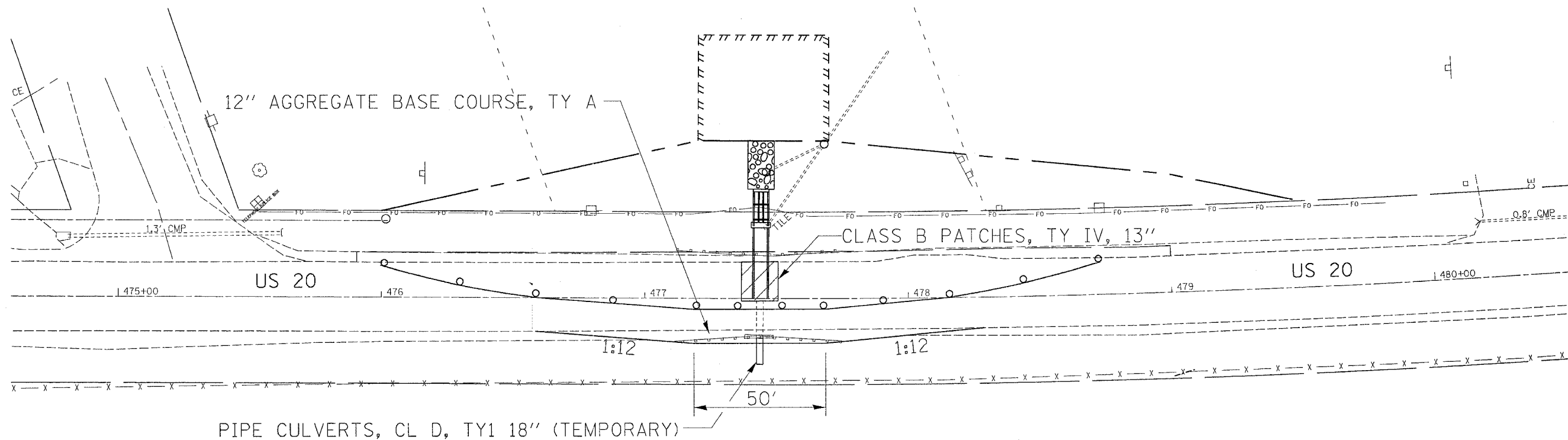


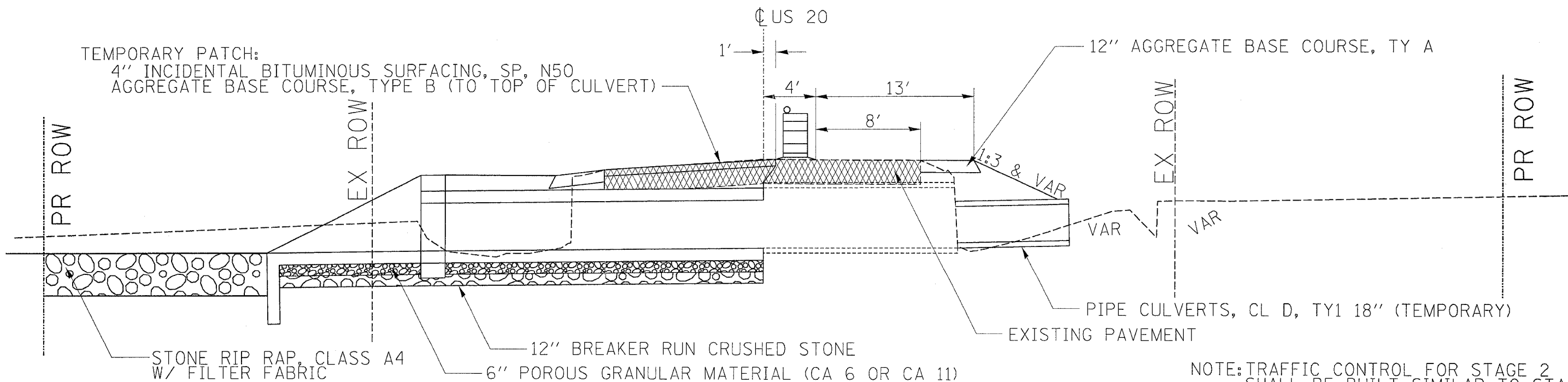
F.A.P. RTE.	SECTION	COUNTY	TOTAL SHEETS	SHEET NO.
301	21-T	STEPHENSON	49	18
STA.		TO STA.		
FED. ROAD DIST. NO.		ILLINOIS	FED. AID PROJECT	

# CULVERT DETAILS

## STA. 477 + 43.65



TEMPORARY PATCH:  
 4" INCIDENTAL BITUMINOUS SURFACING, SP, N50  
 AGGREGATE BASE COURSE, TYPE B (TO TOP OF CULVERT)



NOTE: TRAFFIC CONTROL FOR STAGE 2  
 SHALL BE BUILT SIMILAR TO STAGE 1,  
 EXCEPT ON NORTH SIDE OF US 20

PLOT DATE  
 FILE NO.  
 USER NAME