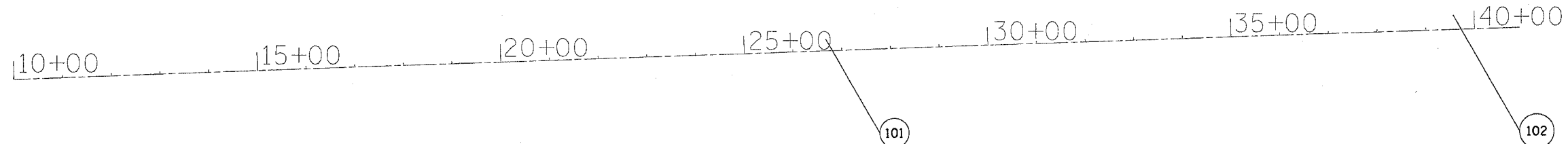


HORIZONTAL AND VERTICAL CONTROL



Chain MOLINERD contains:
50 51

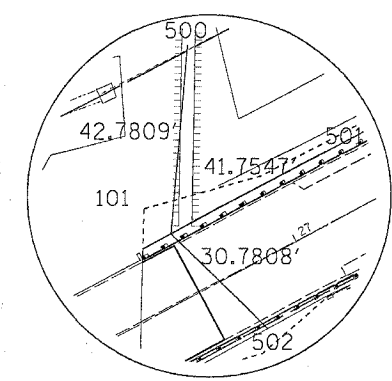
Beginning chain MOLINERD description

Point 50 N 1,825,114.8680 E 2,333,583.0704 Sta 10+00.0000

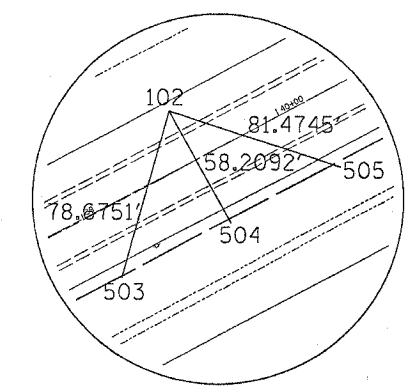
Course from 50 to 51 61° 59' 02.3867" Dist 3,098.4297'

Point 51 N 1,826,570.2567 E 2,336,318.4150 Sta 40+98.4297

Ending chain MOLINERD description



HORIZONTAL CONTROL POINT No. 101



HORIZONTAL CONTROL POINT No. 102

HORIZONTAL CONTROL POINTS							
POINT	NORTH	EAST	ELEVATION	CHAIN	STATION	OFFSET	DESCRIPTION
101	1825915.762	2335046.173	595.66	MOLINERD	26+67.8455	19.7965' LT	VERTICAL CONTROL STATION, PIN
102	1826526.046	2336181.954	590.04	MOLINERD	39+57.1931	25.0683' LT	VERTICAL CONTROL STATION, PIN

SURVEY WORK POINTS							
POINT	NORTH	EAST	ELEVATION	CHAIN	STATION	OFFSET	DESCRIPTION
101	1825915.762	2335046.173	595.66	MOLINERD	26+67.8455	19.7965' LT	GPS CONTROL POINT, PIN
102	1826526.046	2336181.954	590.04	MOLINERD	39+57.1931	25.0683' LT	GPS CONTROL POINT, PIN
103	1825244.639	2333780.171	590.563	MOLINERD	12+34.9594	21.9822' LT	TRAVERSE STATION, PIN
104	1825702.761	2334747.395	594.844	MOLINERD	23+04.0289	27.9028' RT	TRAVERSE STATION, 60D NAIL
110	1826191.957	2334923.143	587.984	MOLINERD	26+88.9664	321.4154' LT	TRAVERSE STATION, PIN
111	1825636.906	2334920.222	591.061	MOLINERD	24+25.6701	167.2207' RT	TRAVERSE STATION, 60D NAIL
112	1824934.1155	2334900.7358	592.5062	MOLINERD	20+78.3539	778.5027' RT	TRAVERSE STATION, PIN
113	1825813.467	2334975.467	581.052	MOLINERD	25+57.3752	37.2993' RT	TRAVERSE STATION, PIN

REFERENCE TIES				
POINT	CHAIN	STATION	OFFSET	DESCRIPTION
500	MOLINERD	26+98.9270	67.6258' LT	PIN
501	MOLINERD	27+23.5183	19.7687' LT	PIN
502	MOLINERD	26+80.0876	19.3343' RT	PIN
503	MOLINERD	39+02.7638	31.7403' RT	PIN
504	MOLINERD	39+57.9981	33.1354' RT	PIN
505	MOLINERD	40+13.6926	33.6335' RT	PIN

BENCH MARKS							
POINT	NORTH	EAST	ELEVATION	CHAIN	STATION	OFFSET	DESCRIPTION
400	1825915.762	2335046.173	595.66	MOLINERD	26+67.8455	19.7965' LT	VERTICAL CONTROL STATION, PIN
401	1826526.046	2336181.954	590.04	MOLINERD	39+57.1931	25.0683' LT	VERTICAL CONTROL STATION, PIN

REVISIONS		ILLINOIS DEPARTMENT OF TRANSPORTATION
NAME	DATE	
		SCALE: VERT. HORIZ. DATE: DRAWN BY CHECKED BY

PLOT DATE = Wed Oct 26 14:07:35 2005
 FILE NAME = c:\projects\20050905\400605b\mcdgn
 USER NAME = regent