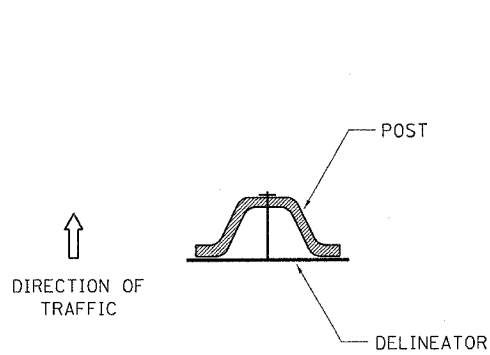


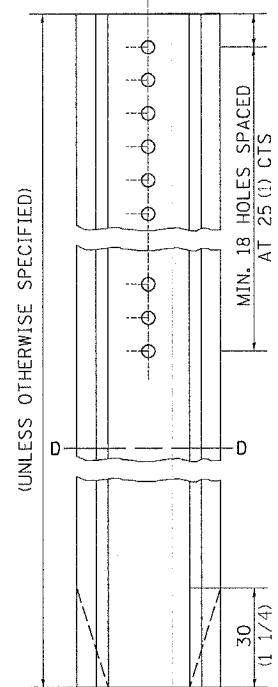
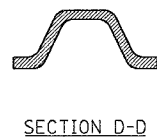
F.A.S. RTE.	SECTION	COUNTY	TOTAL SHEETS	SHEET NO.
221	(198-1) M	ROCK ISLAND	29	22
STA.		TO STA.		
FED. ROAD DIST. NO.	ILLINOIS	FED. AID PROJECT		

DELINEATOR AND POST ORIENTATION



DELINEATORS SHALL BE INSTALLED ACCORDING TO STANDARD 635001 EXCEPT THAT THE POST SHALL BE ROTATED 180°. THE POST WILL HAVE THE WIDE SIDE FACING TRAFFIC AND THE DELINEATOR ATTACHED AS SHOWN ABOVE.

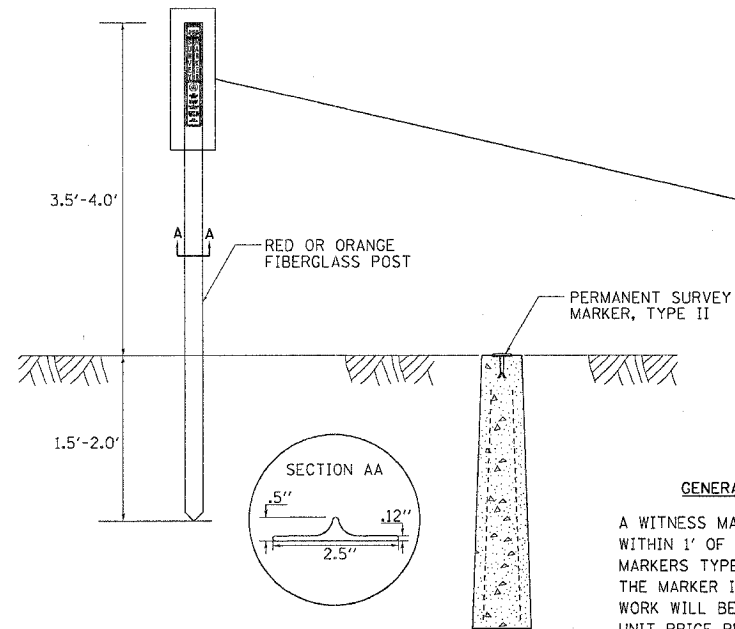
ALL DIMENSIONS ARE IN MILLIMETERS (INCHES) UNLESS OTHERWISE NOTED.



DELINEATOR AND POST ORIENTATION 37.4

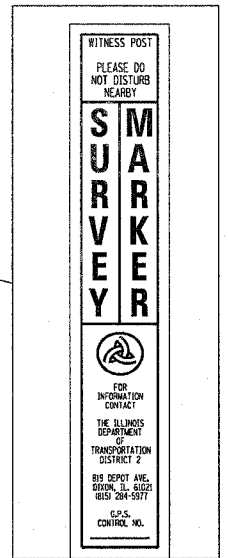
REVISED 1-31-00

WITNESS MARKER FOR PERMANENT SURVEY MARKERS TYPE II



GENERAL NOTES

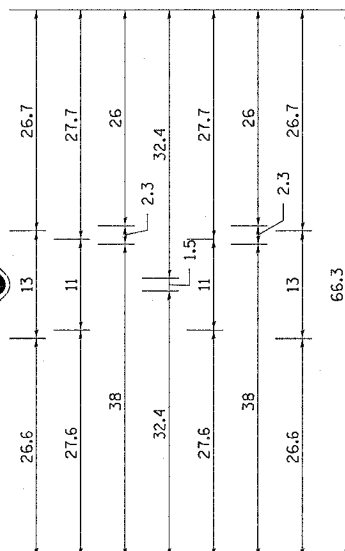
A WITNESS MARKER SHALL BE INSTALLED WITHIN 1' OF ALL PERMANENT SURVEY MARKERS TYPE II EXCEPT IN AREAS WHERE THE MARKER IS IN THE SIDEWALK. THIS WORK WILL BE INCLUDED TO THE CONTRACT UNIT PRICE PER EACH FOR PERMANENT SURVEY MARKERS, TYPE II.



WITNESS MARKER FOR PERMANENT SURVEY MARKERS TYPE II 38.4

REVISED 1-31-00

INFORMATIONAL WARNING SIGN (FOR NARROW TRAVEL LANES)



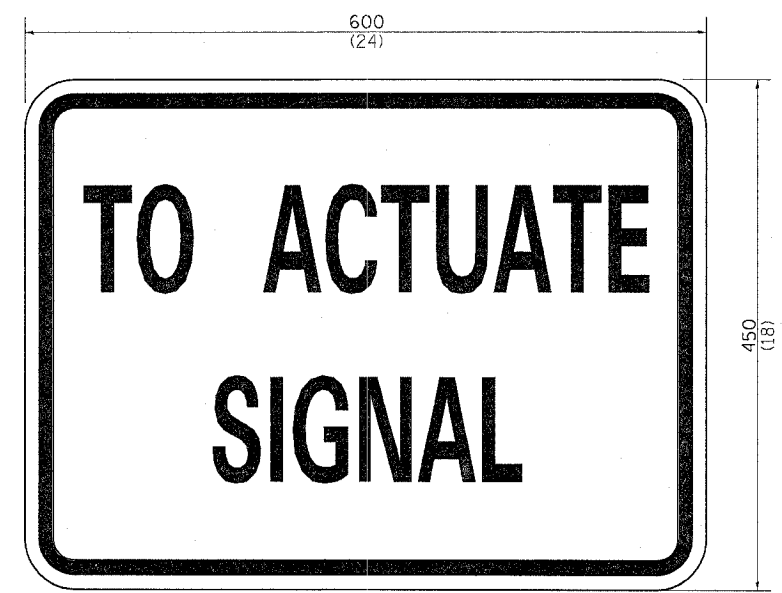
NOTES
 W12-2 - Horizontal Clearance Sign
 48.0" across sides, 1.9" Radius,
 0.8" Border, 0.5" Indent, Black on
 Orange; Standard Arrow Custom
 10.4" X 8.1" 180° Black II Inch
 D Series Lettering; Standard Arrow
 Custom 10.4" X 8.1" 0°
 All work to furnish and install these
 signs shall be included in the cost of
 the Traffic Control Standards and
 shall not be paid for separately.

ALL DIMENSIONS ARE IN INCHES UNLESS OTHERWISE NOTED.

INFORMATIONAL WARNING SIGN (FOR NARROW TRAVEL LANES) 39.4

REVISED 6-29-05

STOP LINE SIGN FOR TEMPORARY SIGNALS



SIZE: 600(24) x 450(18)
 100(4) CAPITAL LETTERS - BLACK
 13 (1/2) BORDER - BLACK
 WHITE REFLECTIVE - TYPE B
 ENGINEERING GRADE SHEETING

GENERAL NOTE:
 THIS SIGN SHALL BE INSTALLED AT THE
 STOP LINE AS DIRECTED BY ENGINEER.
 ALL DIMENSIONS ARE IN MILLIMETERS (INCHES)
 UNLESS OTHERWISE NOTED.

STOP LINE SIGN FOR TEMPORARY SIGNALS 99.4

REVISED 8-7-90

PLOT DATE = Wed Oct 26 11:06:26 2005
 PLOT NAME = S:\projects\1268585\648860.dgn
 PLOT SCALE = 1/1
 REFERENCE = #REF#