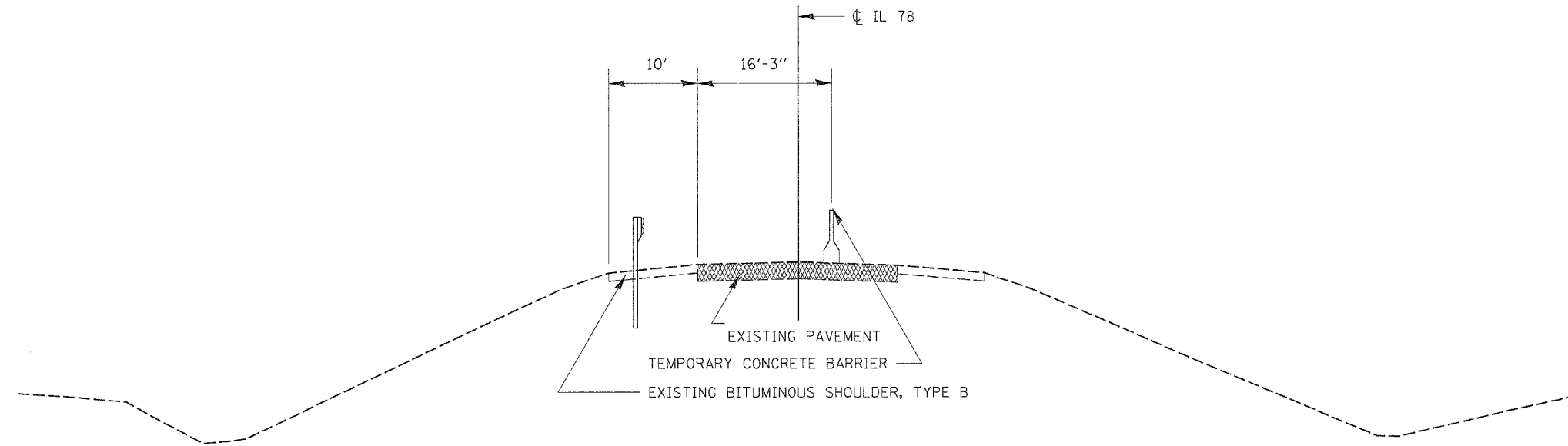


F.A.P. RTE.	SECTION	COUNTY	TOTAL SHEETS	SHEET NO.
22	127BR-1	HENRY	33	6
STA.		TO STA.		
FED. ROAD DIST. NO.	ILLINOIS	FED. AID PROJECT		

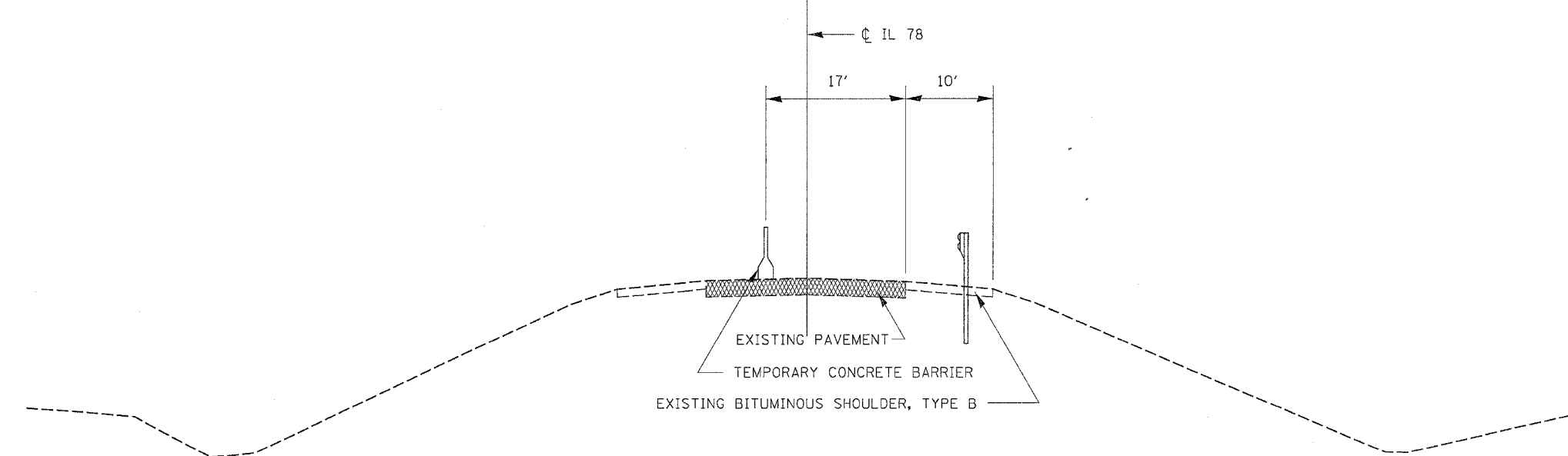
STAGE 1

537 + 84 - 547 + 92



STAGE 2

537 + 84 - 547 + 92



PLOT DATE = Thu Nov 03 14:58:59 2005
 PLOT NAME = 537+84-547+92-12661765.dgn
 PLOT SCALE = 50.00000 / IN.
 USER NAME = rajner1

REVISIONS	
NAME	DATE

ILLINOIS DEPARTMENT OF TRANSPORTATION

SCALE: VERT.
 HORIZ.
 DATE

DRAWN BY
 CHECKED BY