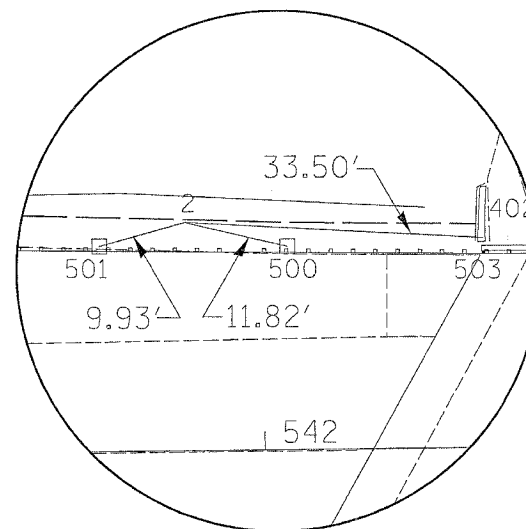
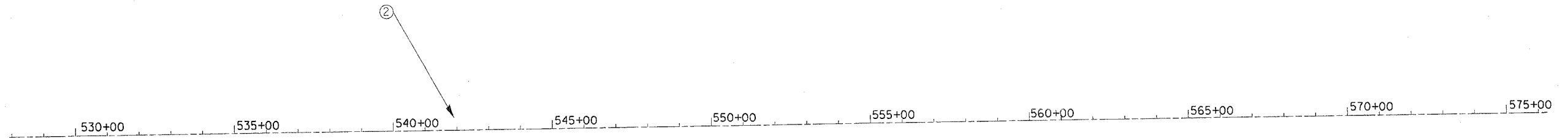
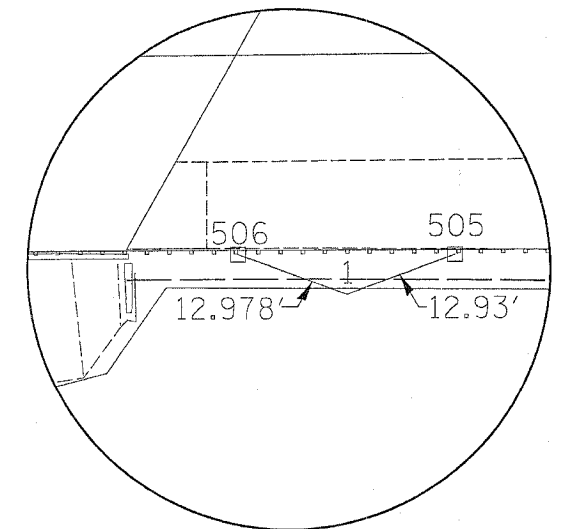


F.A.P. RTE.	SECTION	COUNTY	TOTAL SHEETS	SHEET NO.
22	127BR-1	HENRY	33	8
STA.		TO STA.		
FED. ROAD DIST. NO.		ILLINOIS FED. AID PROJECT		

EXISTING HORIZONTAL AND VERTICAL CONTROL



HORIZONTAL CONTROL POINT No. 2



HORIZONTAL CONTROL POINT No. 1

Chain IL78 contains:
3 4

Beginning chain IL78 description

Point 3 N 1,684,242.0520 E 2,364,544.7350 Sta 527+92.3131

Course from 3 to 4 359° 25' 25.5612" Dist 4,838.8217'

Point 4 N 1,689,080.6290 E 2,364,496.0710 Sta 576+31.1348

Ending chain IL78 description

HORIZONTAL CONTROL POINTS CHAIN

POINT	NORTH	EAST	ELEVATION	CHAIN	STATION	OFFSET	DESCRIPTION
1	1685806.808	2364556.095	695.6678	IL78	543+56.8757	27.0962' RT	GPS CONTROL POINT, PIN
2	1685640.605	2364505.018	696.2608	IL78	541+91.1948	25.6498' LT	GPS CONTROL POINT, PIN
3	1684242.052	2364544.735	731.8253	IL78	527+92.3131	0.0000'	POT, PAINTED
4	1689080.629	2364496.071	754.5637	IL78	576+31.1348	0.0000'	POT, PAINTED
65723003	1684451.578	2364486.713	718.409	IL78	530+02.4120	55.9119' LT	DISTRICT NETWORK MONUMENT, PERM. SURVEY MARKER
65723004	1687138.112	2364461.425	696.966	IL78	556+89.0645	54.1801' LT	DISTRICT NETWORK MONUMENT, PERM. SURVEY MARKER

REFERENCE TIES

POINT	CHAIN	STATION	OFFSET	DESCRIPTION
500	IL78	542+02.7225	22.8747' LT	GUARDPOST, SHINER
501	IL78	541+81.5957	23.1012' LT	GUARDPOST, SHINER
503	IL78	542+24.7032	23.6347' LT	HEADWALL, CHISELED SQUARE
505	IL78	543+69.0510	22.7504' RT	GUARDPOST, SHINER
506	IL78	543+44.7127	22.5646' RT	GUARDPOST, SHINER

BENCH MARKS

POINT	NORTH	EAST	ELEVATION	CHAIN	STATION	OFFSET	DESCRIPTION
402	1685674.062	2364506.712	696.9806	IL78	542+24.6331	23.6194' LT	HEADWALL, CHISELED SQUARE

REVISIONS	
NAME	DATE

ILLINOIS DEPARTMENT OF TRANSPORTATION

SCALE: VERT.
HORIZ.
DATE

DRAWN BY
CHECKED BY

PLOT DATE = Thu Nov 03 14:56:41 2005
 FILE NAME = c:\pwork\msta\2282765\2282765.dwg
 PLOT SCALE = 20.0000' / IN.
 USER NAME = rjgpart1