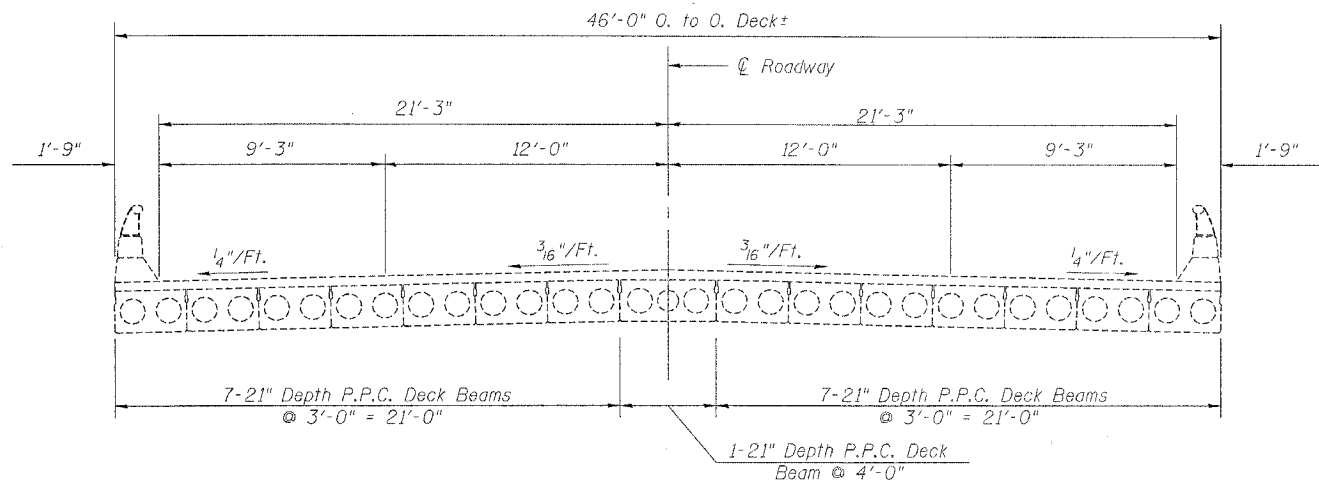


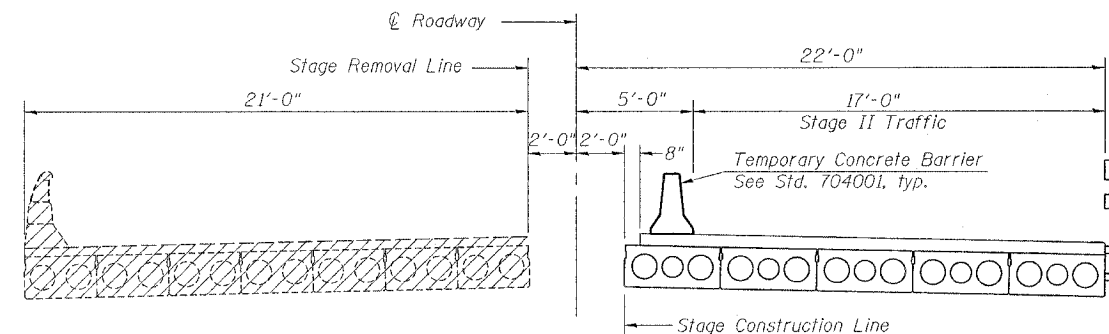
STATE OF ILLINOIS
DEPARTMENT OF TRANSPORTATION

ROUTE NO.	SECTION	COUNTY	TOTAL SHEETS	SHEET NO.	SHEET NO. 3
FAP 22	127BR-1	HENRY	33	17	16 SHEETS
FED. ROAD DIST. NO. 7	ILLINOIS	FED. AID PROJECT-			

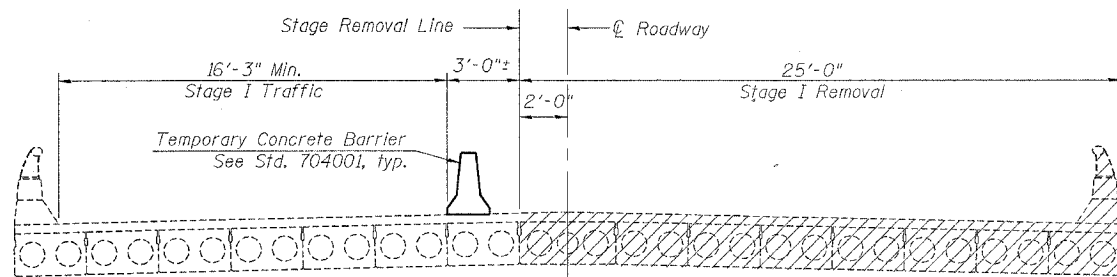
Contract # 64B24



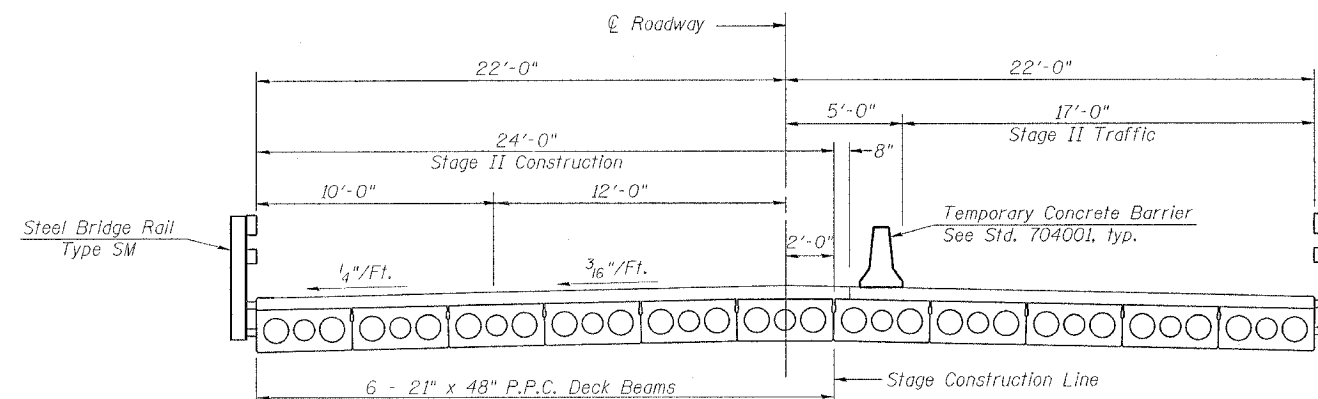
EXISTING CROSS SECTION



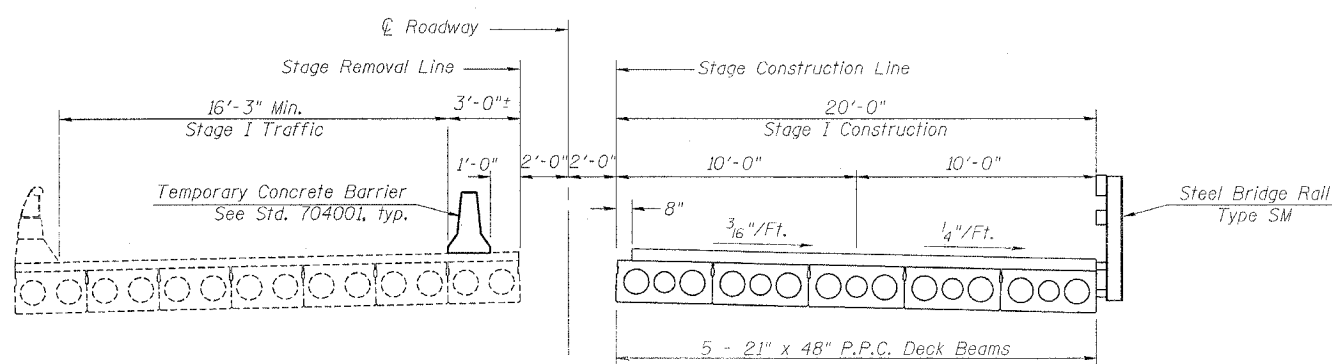
STAGE II REMOVAL



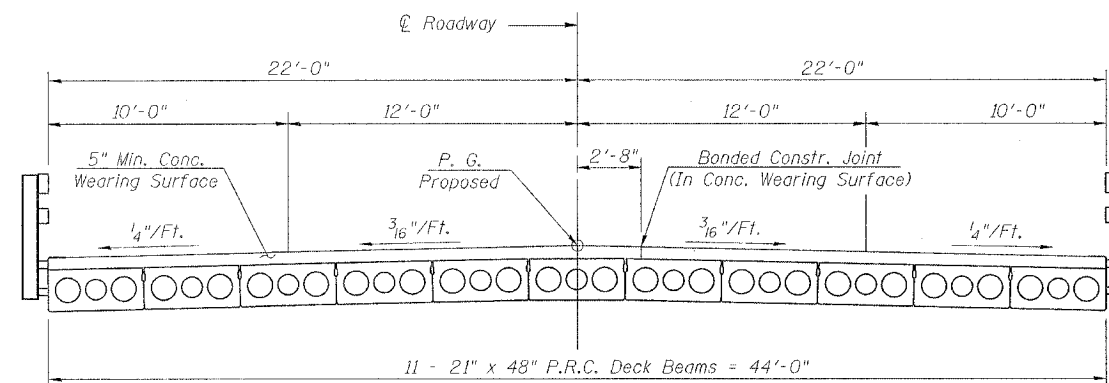
STAGE I REMOVAL



STAGE II CONSTRUCTION



STAGE I CONSTRUCTION



PROPOSED CROSS SECTION

DESIGNED	BAS
CHECKED	KEF & RJA
DRAWN	
CHECKED	

NOTE: All Views Looking North

STAGING DETAILS
IL 78 OVER MUD CREEK
F.A.P. RTE. 22 - SECTION 127BR-1
HENRY COUNTY
STA. 542+78.43 - STR. NO. 037-0125