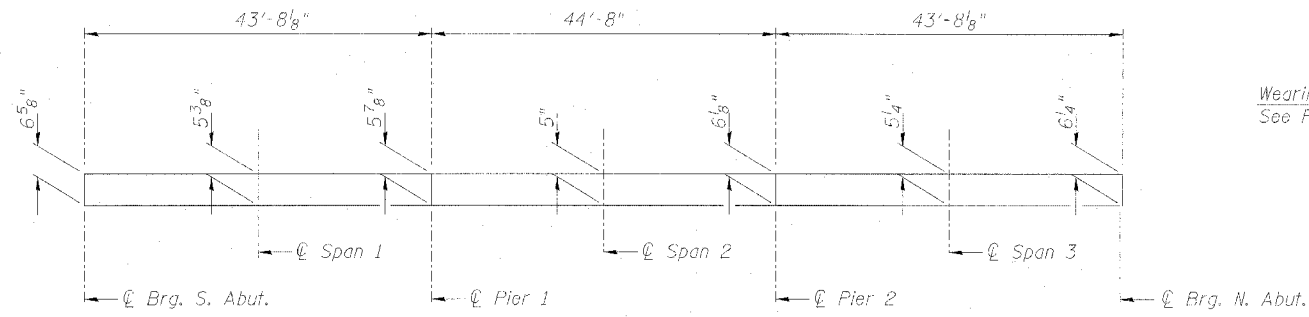


STATE OF ILLINOIS
DEPARTMENT OF TRANSPORTATION

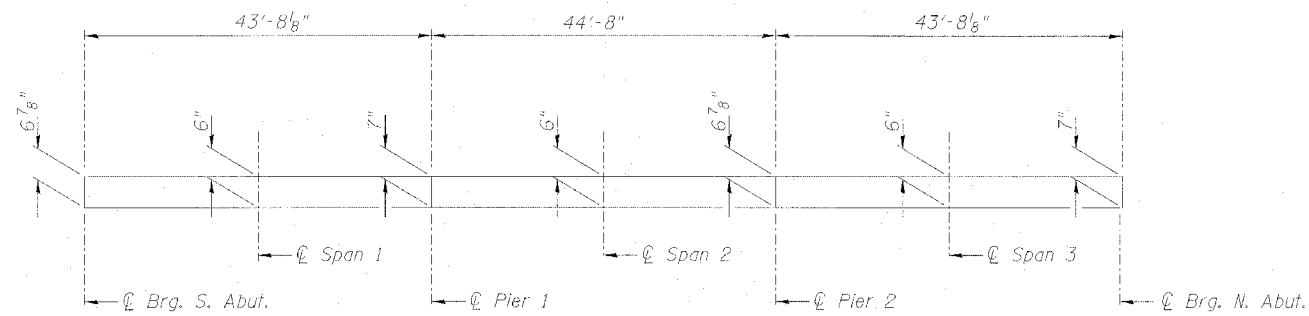
ROUTE NO.	SECTION	COUNTY	SHEET NO.	SHEET NO. 7
FAP 22	127BR-1	HENRY	22	16 SHEETS
FED. ROAD DIST. NO. 7	ILLINOIS	FED. AID PROJECT-		

Contract # 64B24



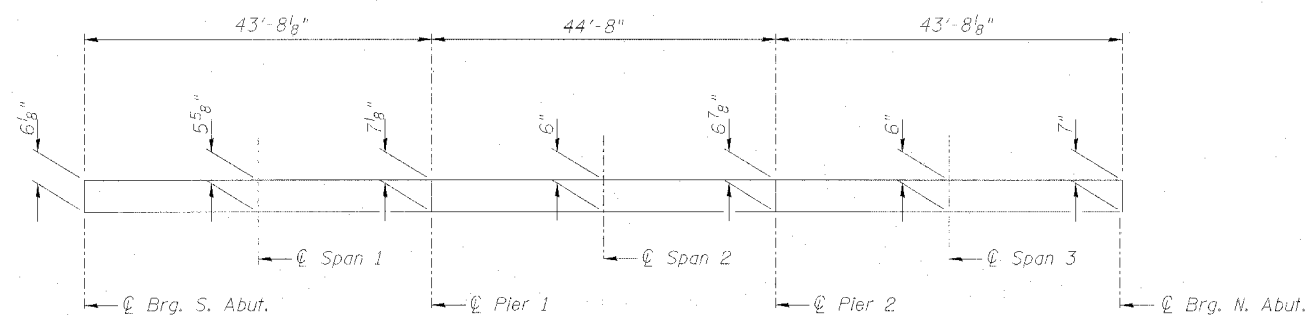
REINFORCED CONCRETE WEARING SURFACE PROFILE

(Concrete wearing surface thickness along west edge of deck)



REINFORCED CONCRETE WEARING SURFACE PROFILE

(Theoretical concrete wearing surface thickness along C of Roadway)



REINFORCED CONCRETE WEARING SURFACE PROFILE

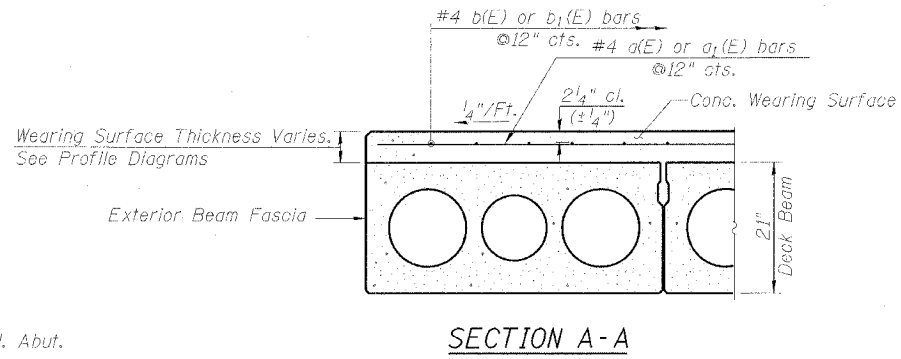
(Concrete wearing surface thickness along east edge of deck)

Expected Camber = 1"

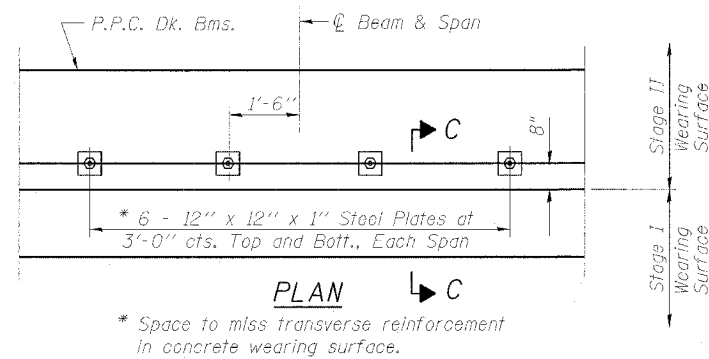
**CONCRETE WEARING SURFACE
BILL OF MATERIALS**

Bar	No.	Size	Length	Shape
a(E)	113	#4	19'-6"	—
a ₁ (E)	107	#4	24'-10"	—
a ₂ (E)	12	#5	28'-1"	—
a ₃ (E)	12	#5	22'-0"	—
a ₄ (E)	20	#4	19'-0"	—
a ₅ (E)	26	#4	24'-4"	—
b(E)	90	#4	22'-8"	—
b ₁ (E)	180	#4	23'-2"	—
Reinforcing Bars, Epoxy Coated			Pound	8700
Concrete Wearing Surface, 5"			Sq. Yd.	652
Bridge Deck Grooving			Sq. Yd.	622
Protective Coat			Sq. Yd.	666

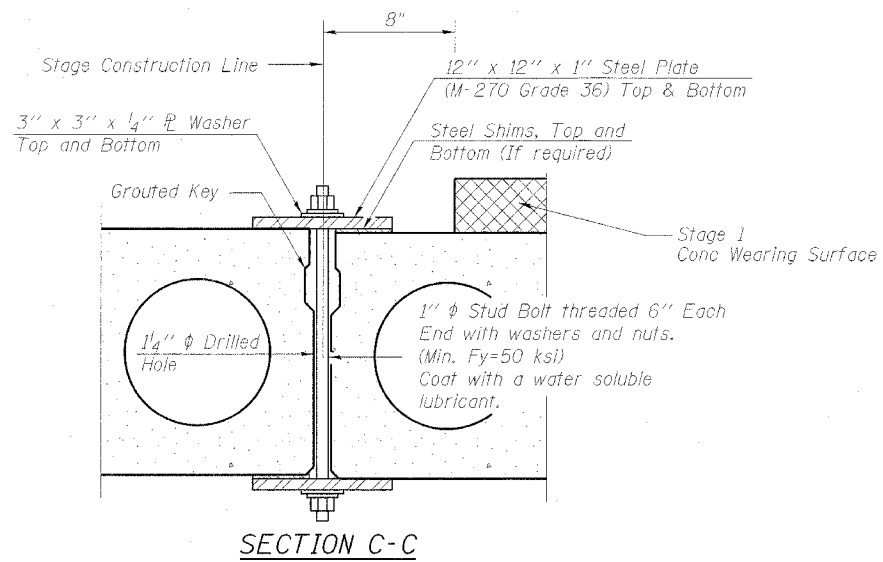
DESIGNED	BAS
CHECKED	KEF & RJA
DRAWN	
CHECKED	



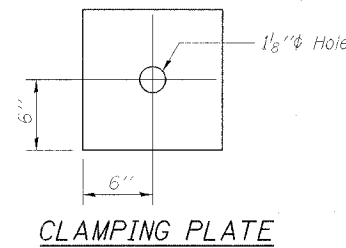
SECTION A-A



PLAN



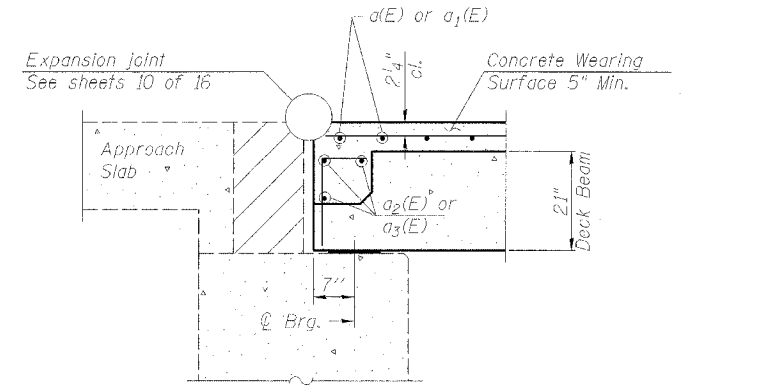
SECTION C-C



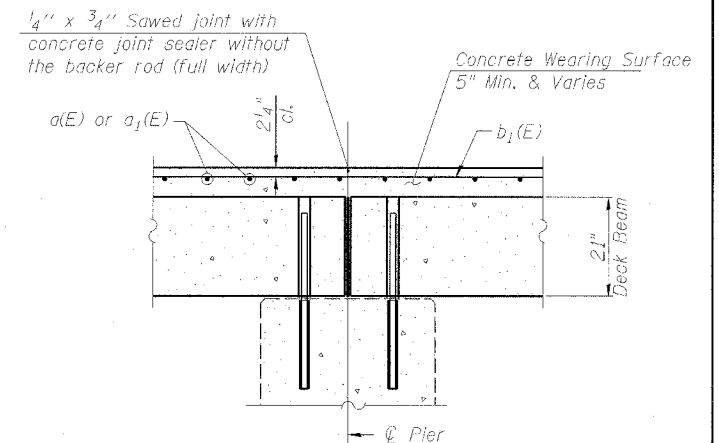
CLAMPING PLATE

SHEAR KEY CLAMPING DETAILS AT STAGE CONST. JT.

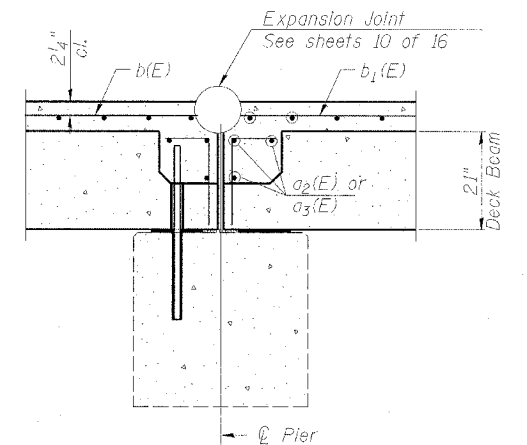
See Special Provisions for Stage Construction of Precast Prestressed Concrete Deck Beams.
Cost included with "Precast Prestressed Concrete Deck Beams".



SECTION B-B



SECTION D-D



SECTION E-E

Notes:
All horizontal dimensions are at right angles to beam ends.
Hatched area to be poured after concrete wearing surface is in place.

**SUPERSTRUCTURE DETAILS
IL 78 OVER MUD CREEK
F.A.P. RTE. 22 - SECTION 127BR-1
HENRY COUNTY
STA. 542+78.43 - STR. NO. 037-0125**