

STATE OF ILLINOIS
DEPARTMENT OF TRANSPORTATION

ROUTE NO.	SECTION	COUNTY	SHEETS	SHEET	SHEET NO. 10
FAP 22	127BR-1	HENRY	33	24	16 SHEETS
FED. ROAD DIST. NO. 7	ILLINOIS	FED. AID PROJECT-			

Contract # 64B24

GENERAL NOTES

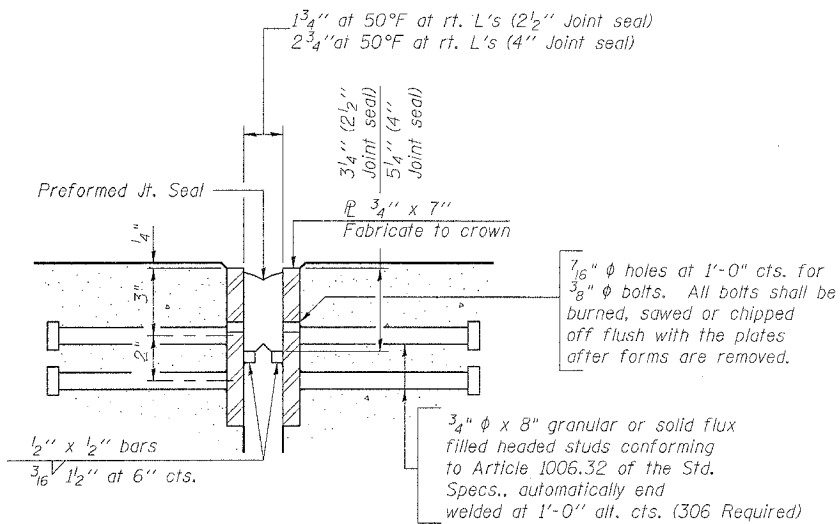
The strip seal shall be made continuous and shall have a minimum thickness of $\frac{1}{4}$ ". The configuration of the strip seal shall match the configuration of the Locking Edge Rails.

The height and thickness of the Locking Edge Rails shown are minimum dimensions. The actual configuration of the Locking Edge Rails and matching strip seal may vary from manufacturer to manufacturer. Flanged edge rails will not be allowed.

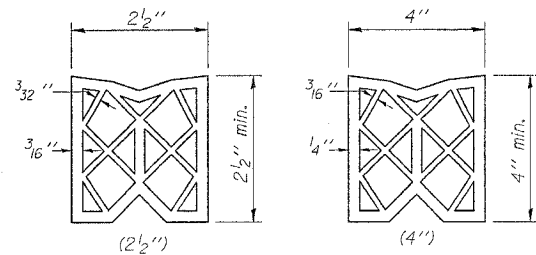
Locking Edge Rails may be spliced at slope discontinuities and stage construction joints.

The manufacturer's recommended installation methods shall be followed.

The joint opening and deck dimensions detailed on the superstructure are based on a preformed joint seal. If the contractor elects to use the alternate strip seal joint, the opening and deck dimensions shall be modified according to the dimensions detailed on this sheet. Required modifications shall be made at no additional cost to the State.



SECTION THRU EXPANSION JOINT
(2 1/2" and 4" joint seals)



PREFORMED JOINT SEAL

Bridge Joint System (Expansion)		
Design Movement	Required Preformed Joint Seal Size	Required Strip Seal Rated movement
1"	2 1/2"	1"
1 5/8"	4"	2"

BILL OF MATERIAL

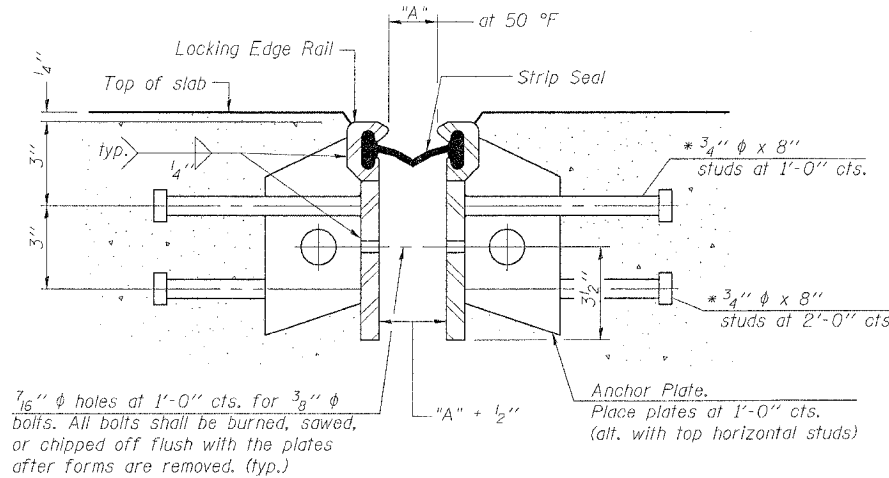
Item	Unit	Total
Bridge Joint System (Expansion)	Foot	152

GENERAL NOTES

Furnish steel plates in segments of 20 feet maximum length. Maximum space between installed segments shall be $\frac{3}{16}$ ". Seal space with silicone sealant suitable for structural steel.

DESIGNED	BAS
CHECKED	KEF & RJA
DRAWN	
CHECKED	

(PREFORMED JOINT SEAL)

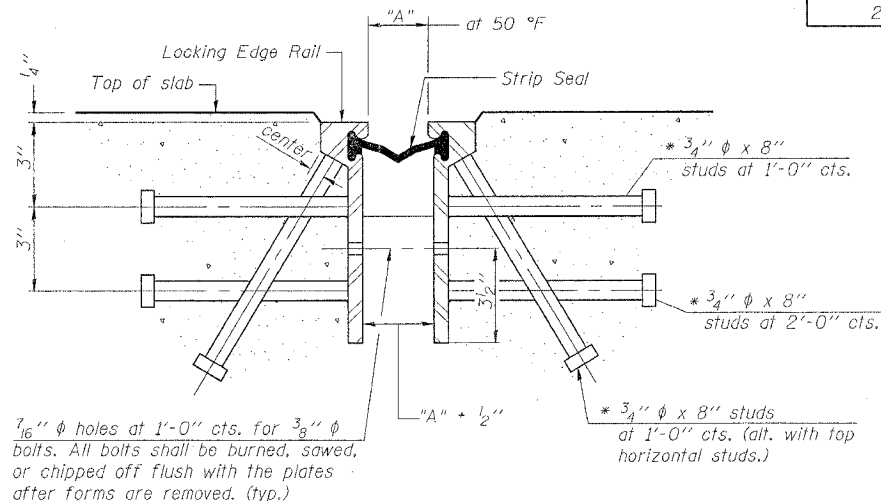


SECTION THRU WELDED RAIL EXP. JOINT

(462 Studs Required)
(306 Anchor Plates Required)

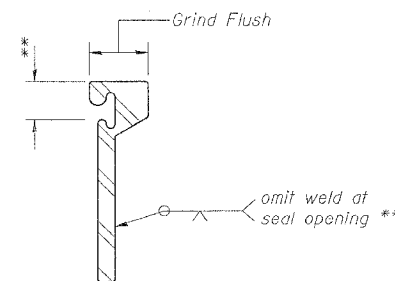
* Granular or solid flux filled headed studs conforming to Article 1006.32 of the Std. Specs., automatically end welded.

Required Strip Seal rated movement	"A"
1"	1 1/8"
2"	1 3/4"



SECTION THRU ROLLED RAIL EXP. JOINT

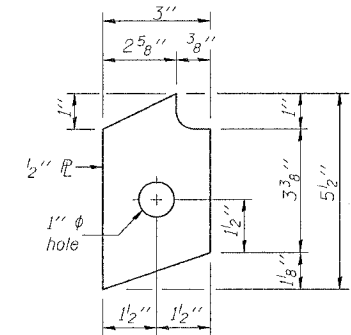
(768 Studs Required)



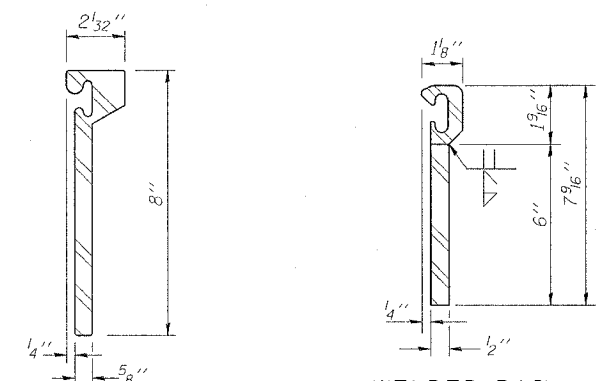
LOCKING EDGE RAIL SPLICE

The inside of the locking edge rail groove shall be free of weld residue.

(ALTERNATE-STRIP SEAL)



ANCHOR PL
(for welded rail)



ROLLED (EXTRUDED) RAIL

WELDED RAIL

LOCKING EDGE RAILS

BRIDGE JOINT SYSTEM - EXPANSION
IL 78 OVER MUD CREEK
F.A.P. RTE. 22 - SECTION 127BR-1
HENRY COUNTY
STA. 542+78.43 - STR. NO. 037-0125