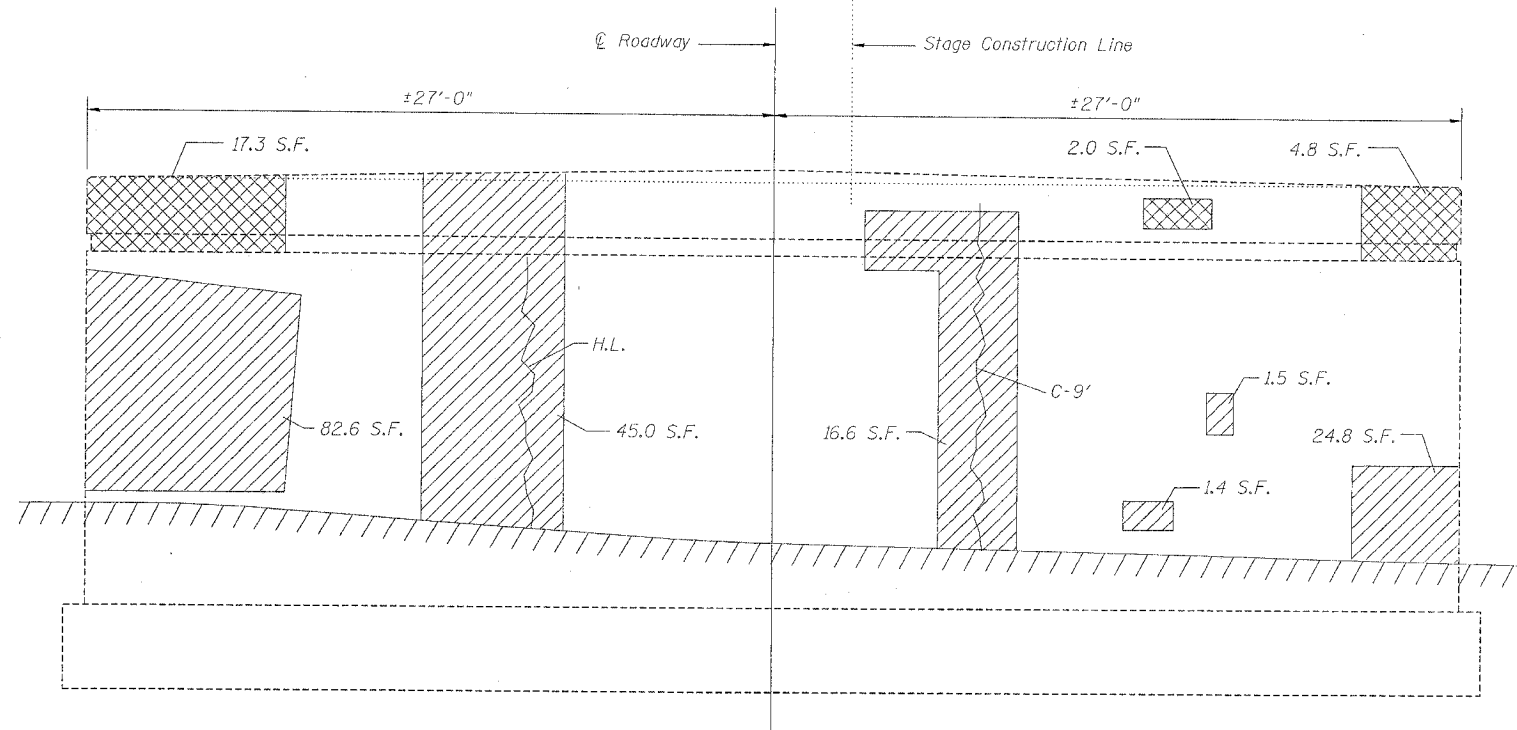
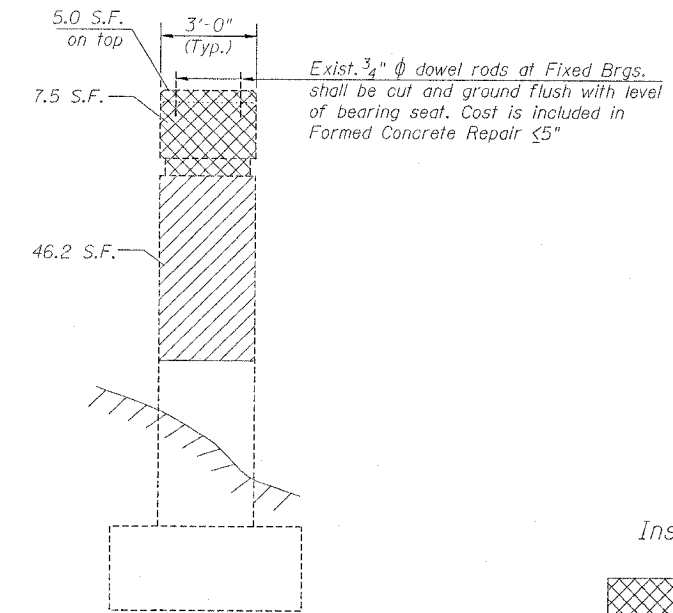


STATE OF ILLINOIS
DEPARTMENT OF TRANSPORTATION

ROUTE NO.	SECTION	COUNTY	TOTAL SHEETS	SHEET NO.	SHEET NO. 15 16 SHEETS
FAP 22	127BR-1	HENRY	33	29	
FED. ROAD DIST. NO. 7	ILLINOIS	FED. AID PROJECT-	Contract # 64B24		



SOUTH ELEVATION PIER 1



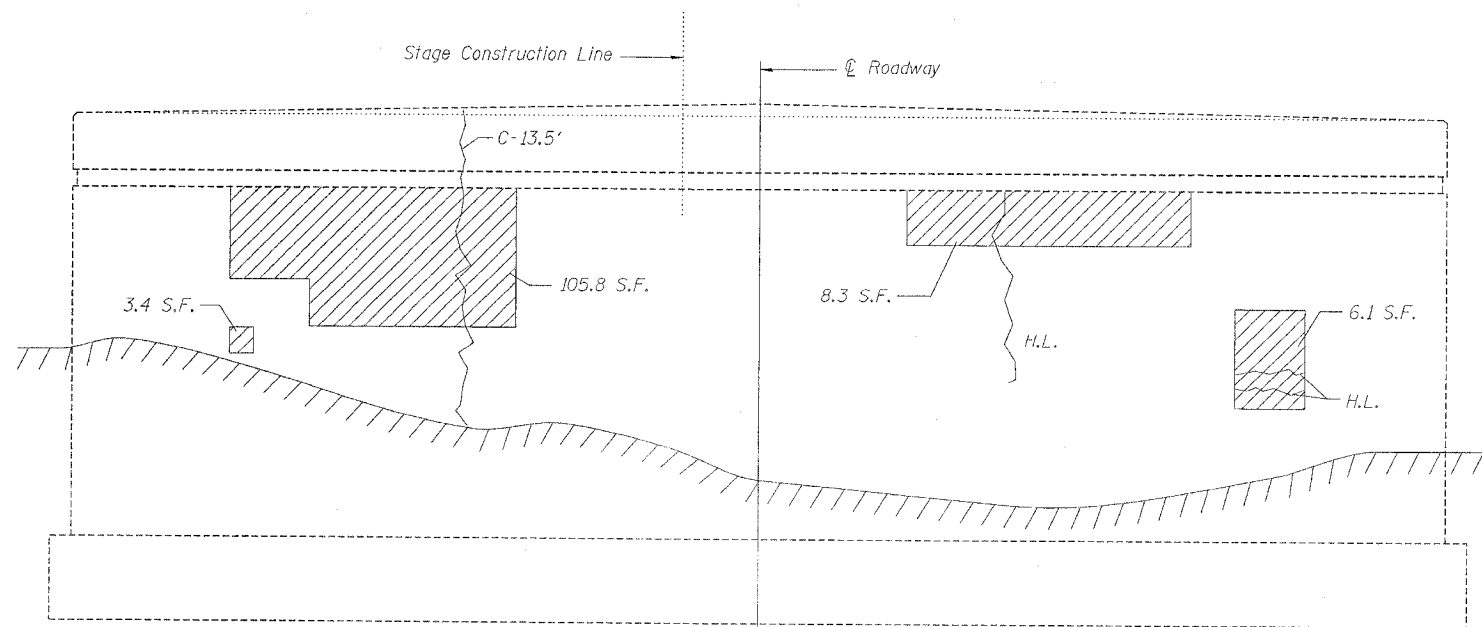
EAST ELEVATION

EXISTING BEARING SEAT TO BE INSPECTED BY THE ENGINEER AFTER DECK BEAM REMOVAL. DETERIORATED CONCRETE AREAS SHALL BE REPAIRED (FORMED CONCRETE REPAIR DEPTH \leq 5") AND CRACKS SHALL BE SEALED (EPOXY CRACK SEALING) IF FOUND.

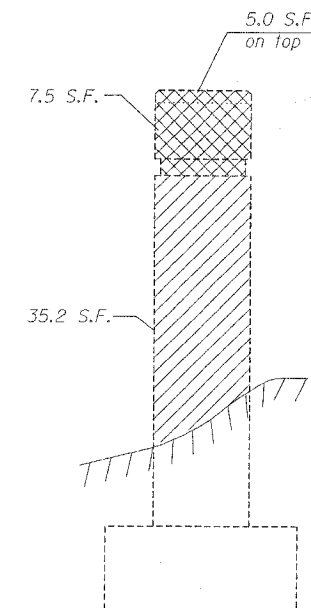
REPAIR LEGEND

Inspection Date: 08-03-05

- Form Conc. Repair $>$ 5"
- Form Conc. Repair \leq 5"
- C-8' Epoxy Crack Sealing
- H.L. Hairline Crack (do not seal)



NORTH ELEVATION PIER 1



WEST ELEVATION

**PIER 1
BILL OF MATERIAL
REPAIR QUANTITY SUMMARY**

ITEM	UNIT	TOTAL
Form Conc. Rep. \leq 5"	Sq. Ft.	376.9
Form Conc. Rep. $>$ 5"	Sq. Ft.	49.1
Epoxy Crack Sealing	Foot	22.5

DESIGNED	BAS
CHECKED	KEF & RJA
DRAWN	
CHECKED	

PIER 1 REPAIR DETAILS
IL 78 OVER MUD CREEK
F.A.P. RTE. 22 - SECTION 127BR-1
HENRY COUNTY
STA. 542+78.43 - STR. NO. 037-0125