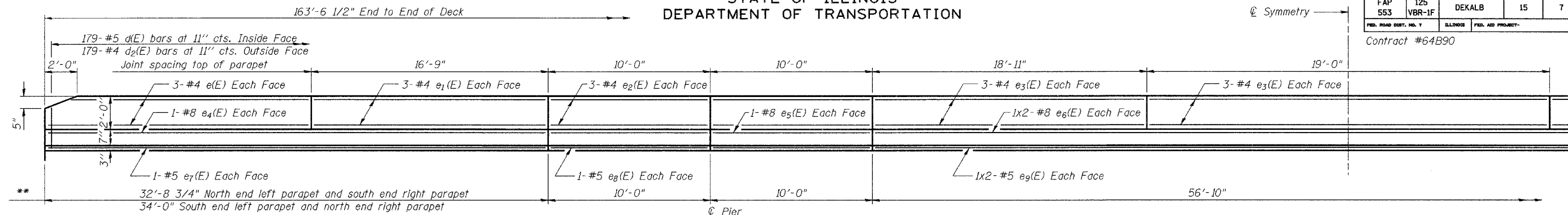


STATE OF ILLINOIS
DEPARTMENT OF TRANSPORTATION

ROUTE NO.	SECTION	COUNTY	TOTAL SHEETS	SHEET NO.
FAP 553	125 VBR-1F	DEKALB	15	7
FED. ROAD DIST. NO. 7		ILLINOIS	FED. AID PROJECT-	

SHEET NO. 5
13 SHEETS

Contract #64B90

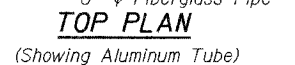
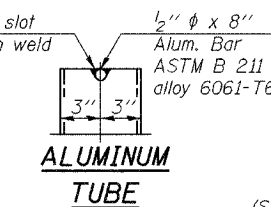
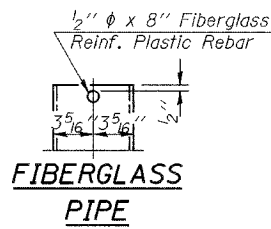


INSIDE ELEVATION OF PARAPET

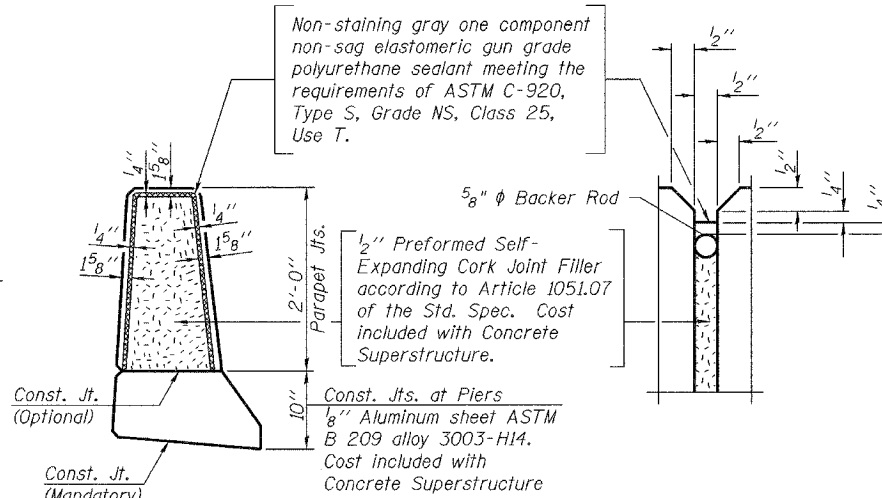
min lap #5 bar = 1'-8"
min lap #8 bar = 3'-8"

SUPERSTRUCTURE
BILL OF MATERIAL

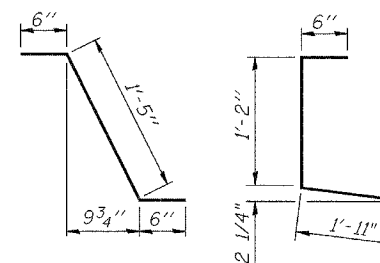
Bar	No.	Size	Length	Shape
a(E)	196	#5	34'-7"	—
a ₁ (E)	262	#5	32'-7"	—
a ₂ (E)	196	#6	4'-6"	—
a ₃ (E)	4	#5	37'-8"	—
b(E)	228	#5	28'-8"	—
b ₁ (E)	72	#6	32'-0"	—
b ₂ (E)	217	#5	24'-10"	—
d(E)	358	#5	3'-0"	—
d ₁ (E)	346	#5	2'-5"	┘
d ₂ (E)	358	#4	3'-0"	—
d ₃ (E)	358	#4	3'-7"	┘
d ₄ (E)	12	#5	2'-4"	┘
e(E)	24	#4	16'-9"	—
e ₁ (E)	24	#4	16'-6"	—
e ₂ (E)	48	#4	9'-9"	—
e ₃ (E)	36	#4	18'-8"	—
e ₄ (E)	8	#8	33'-9"	—
e ₅ (E)	16	#8	9'-9"	—
e ₆ (E)	8	#8	30'-6"	—
e ₇ (E)	8	#5	33'-9"	—
e ₈ (E)	16	#5	9'-9"	—
e ₉ (E)	8	#5	29'-2"	—
m(E)	4	#6	36'-2"	—
m ₁ (E)	6	#6	37'-5"	—
m ₂ (E)	24	#6	8'-7"	—
m ₃ (E)	10	#6	6'-1"	—
m ₄ (E)	4	#6	2'-9"	—
s(E)	62	#5	6'-4"	┘
s ₁ (E)	62	#4	9'-2"	┘
Reinforcement Bars, Epoxy Coated		Pound	42890	
Concrete Superstructure		Cu. Yds.		



Non-staining gray one component non-sag elastomeric gun grade polyurethane sealant meeting the requirements of ASTM C-920, Type S, Grade NS, Class 25, Use T.

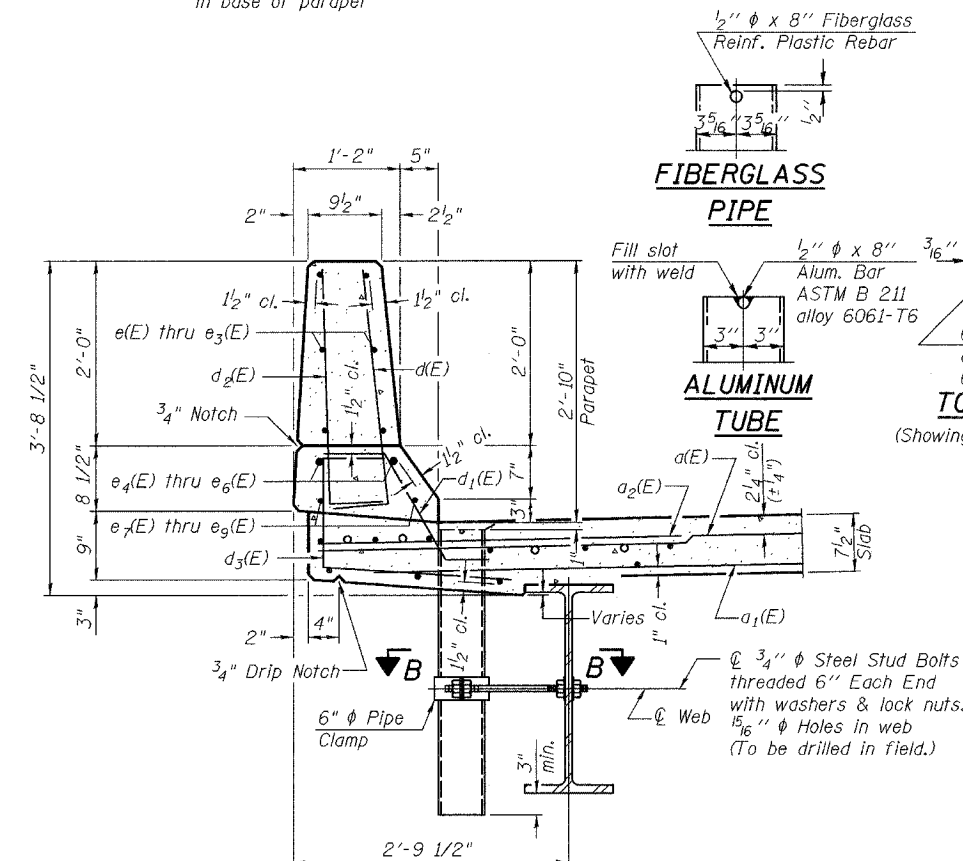


BARS d(E) & d₂(E)

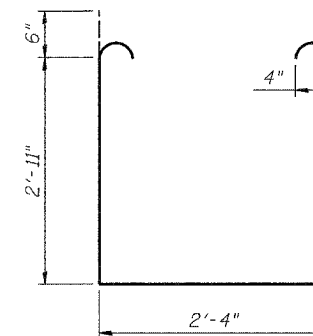
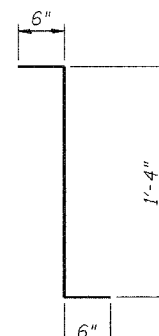
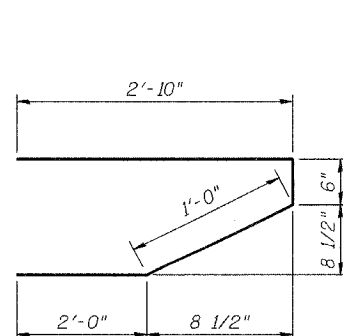
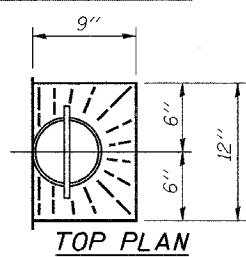
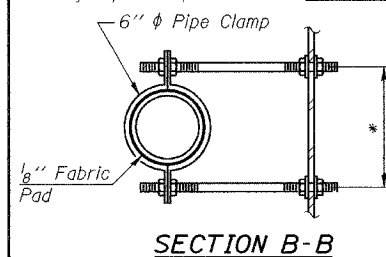


Notes:
The exterior surfaces of the floor drains shall be painted with the finish coat as specified in the special provisions for Cleaning and Painting New Metal Structures. The exterior surfaces of the drains shall be cleaned according to Steel Structures Painting Council's Spec. SSPC-SP1 prior to painting. Fiberglass pipe shall conform to ASTM D 2996, with short-time rupture strength hoop tensile stress of 30,000 p.s.i. minimum.

** Aluminum sheeted joint spacing in base of parapet



* Dimension as required by Pipe Clamp



DESIGNED	JKC
CHECKED	JDA
DRAWN	ARR
CHECKED	JKC

S-1-D 10-22-04

Reinforcement bars designated (E) shall be epoxy coated.
Bars indicated thus 1 x 2-#5 etc. indicates 1 line of bars with 2 lengths per line.

FOR INFORMATION ONLY

SUPERSTRUCTURE DETAILS
IL RTE 72 OVER
IOWA CHICAGO & EASTERN RAILROAD
FAP ROUTE 553
SECTION 125VBR-1F
DEKALB COUNTY
STA. 144+14.40
SN 019-0047