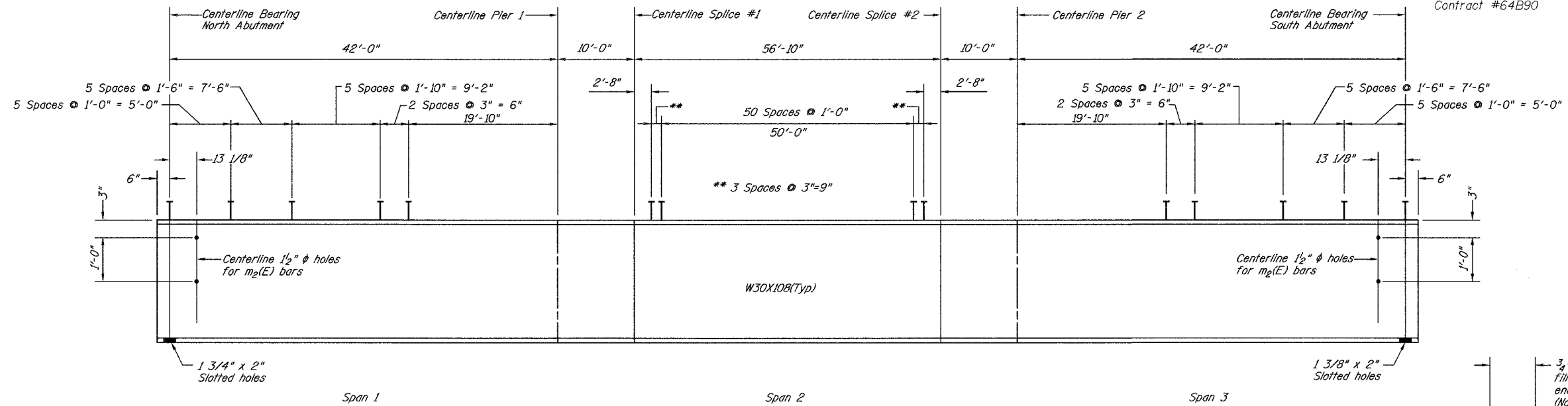


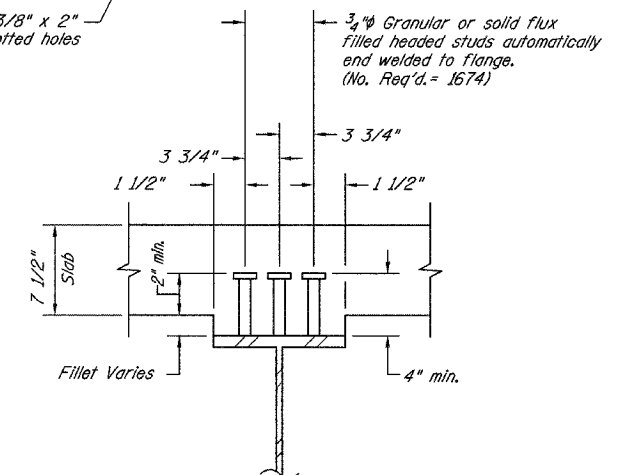
STATE OF ILLINOIS
DEPARTMENT OF TRANSPORTATION

ROUTE NO.	SECTION	COUNTY	TOTAL SHEETS	SHEET NO.	SHEET NO. 8 13 SHEETS
FAP 553	125 VBR-1F	DEKALB	15	10	
FED. ROAD DIST. NO. 1	ILLINOIS	FED. AID PROJECT-			

Contract #64B90

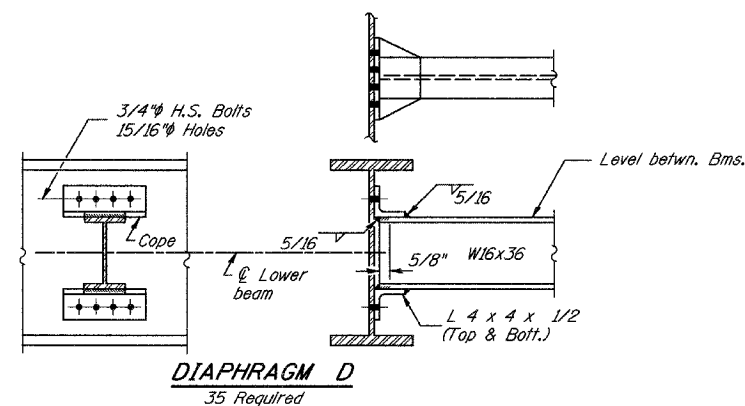


BEAM ELEVATION SHOWING STUDS
(279 Studs Req'd / Beam)



SHEAR CONNECTOR DETAIL

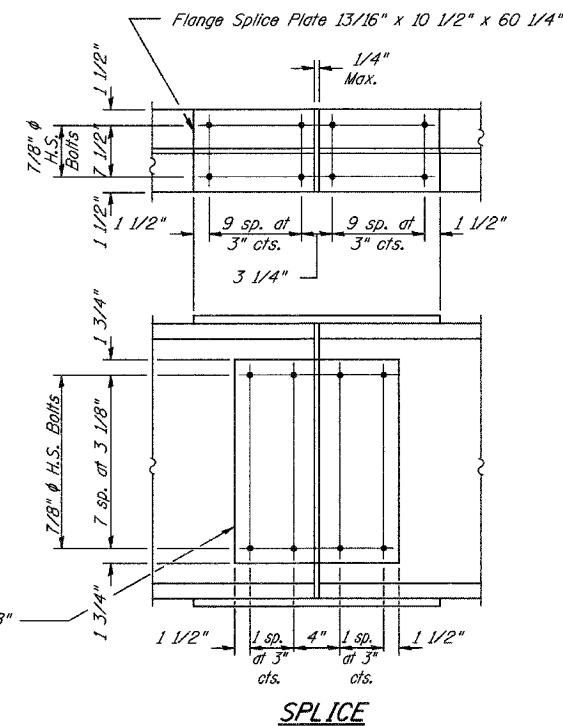
TOP OF BEAM ELEVATION (FOR FABRICATION ONLY)						
Beam	Centerline Brg. N. Abut.	Centerline Pier 1	Centerline Splice 1	Centerline Splice 2	Centerline Pier 2	Centerline Brg. S. Abut.
1	788.62	788.72	788.75	788.73	788.70	788.57
2	788.71	788.82	788.85	788.84	788.81	788.69
3	788.79	788.91	788.94	788.94	788.91	788.79
4	788.78	788.90	788.93	788.94	788.91	788.81
5	788.67	788.80	788.83	788.85	788.83	788.72
6	788.55	788.69	788.72	788.75	788.73	788.63



DIAPHRAGM D
35 Required

Note: Two hardened washers shall be required over all oversize holes for diaphragms.

Web Splice Plate
7/16" x 13" x 25 3/8"
Each Side



SPLICE

Note:
All beams and splice plates shall be NTR (notch toughness - zone 2) and M270 Grade 50W.

FRAMING DETAILS
IL RTE 72 OVER
IOWA CHICAGO & EASTERN RAILROAD
FAP ROUTE 553
SECTION 125VBR-1F
DEKALB COUNTY
STA. 144+14.40
SN 019-0047

DESIGNED	JKC
CHECKED	JLS
DRAWN	ARR
CHECKED	JKC