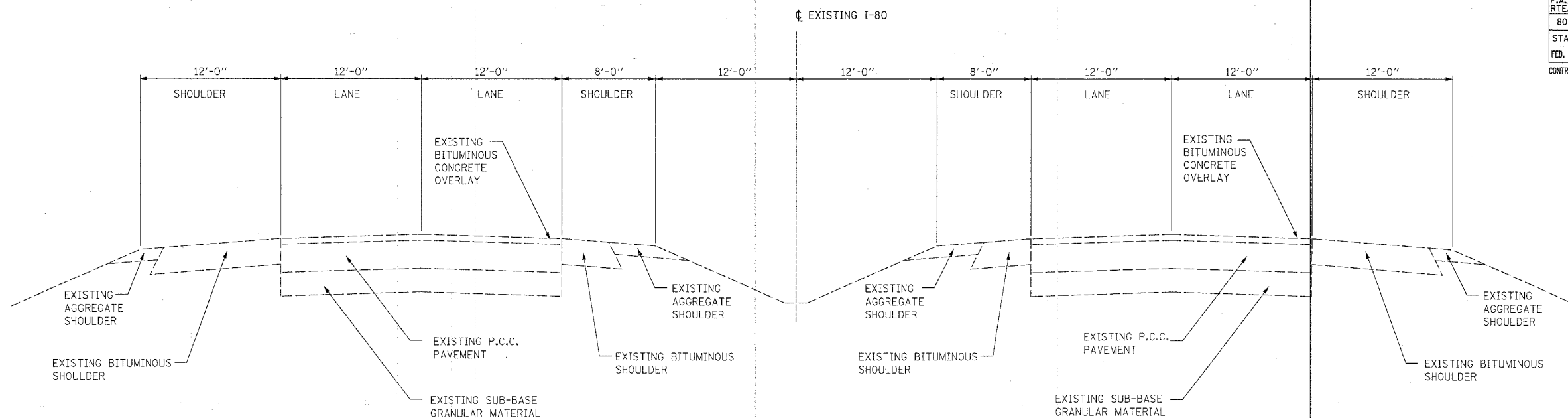


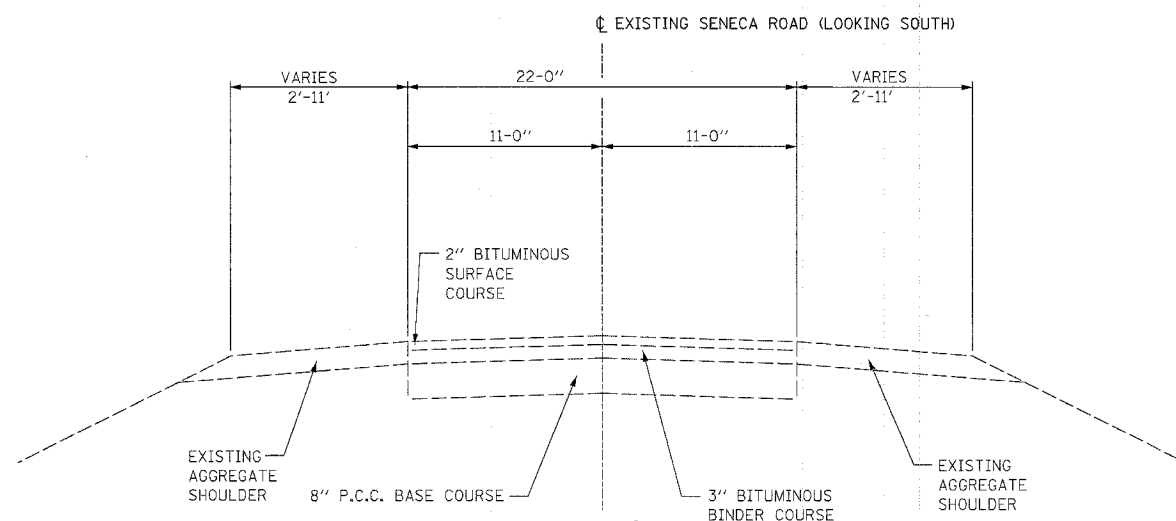
F.A.I. RTE.	SECTION	COUNTY	TOTAL SHEETS	SHEET NO.
80	32-2HBR	GRUNDY	171	8
STA.		TO STA.		
FED. ROAD DIST. NO.		ILLINOIS	FED. AID PROJECT	
CONTRACT NO.		66412		



EXISTING TYPICAL SECTION

F.A.I. 80

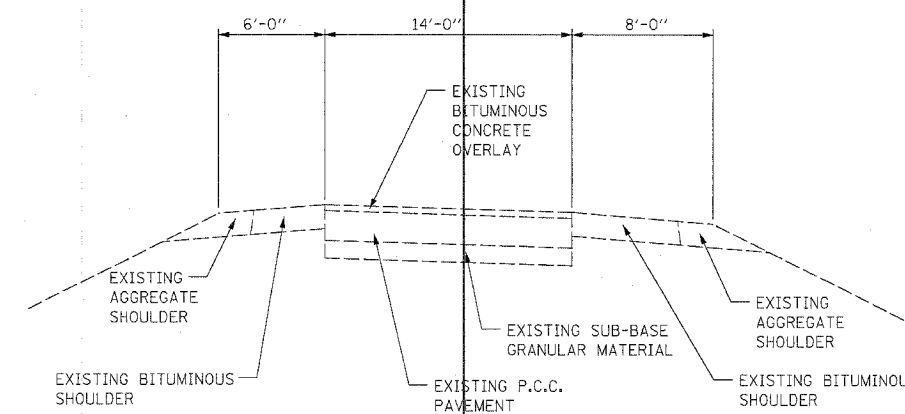
STA. 791+32.56 TO STA. 846+38.21



EXISTING TYPICAL SECTION

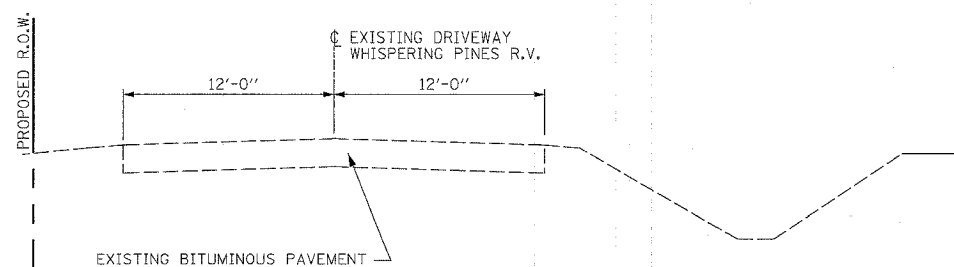
SENECA ROAD

STA. 2+00.00 TO STA. 35+11.55



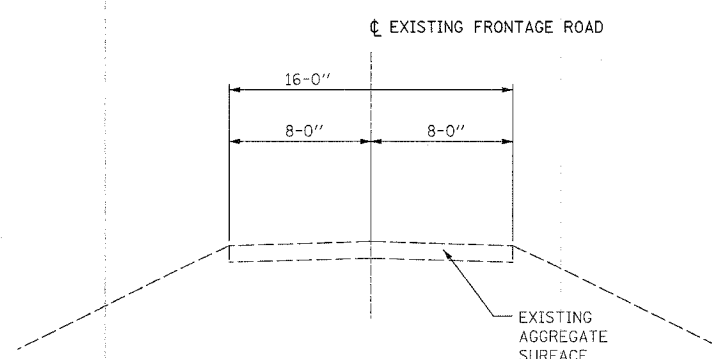
EXISTING TYPICAL SECTION

ENTRANCE AND EXIT RAMP



TYPICAL DRIVEWAY SECTION

WHISPERING PINES R.V.



EXISTING TYPICAL SECTION

FRONTAGE ROAD

REVISIONS	
NAME	DATE

ILLINOIS DEPARTMENT OF TRANSPORTATION
**I-80 (F.A.I. 80) AT
 SENECA ROAD (F.A.P. 623)
 GRUNDY COUNTY**
 EXISTING TYPICAL SECTIONS

SCALE: N.T.S.
 DATE 10/14/05

DRAWN BY NMR/BJG
 CHECKED BY DJL/JPL