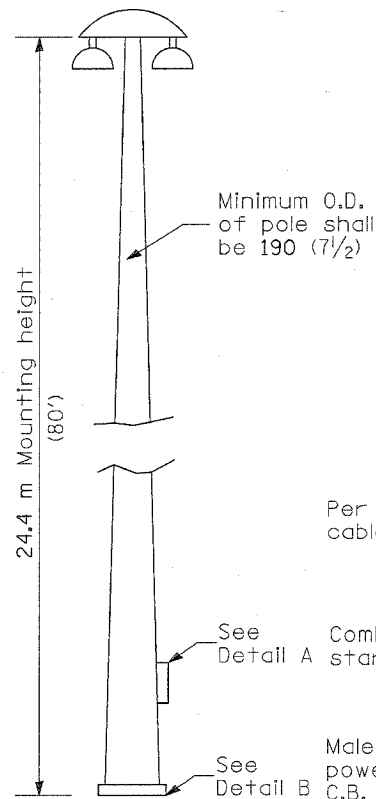
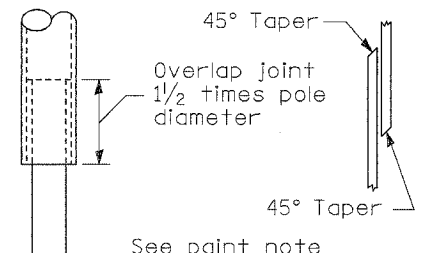


F.A.I. RTE.	SECTION	COUNTY	TOTAL SHEETS	SHEET NO.
80	32-2HBR	GRUNDY	171	84
STA.		TO STA.		
FED. ROAD DIST. NO.	ILLINOIS	FED. AID PROJECT		
CONTRACT NO.	66412			

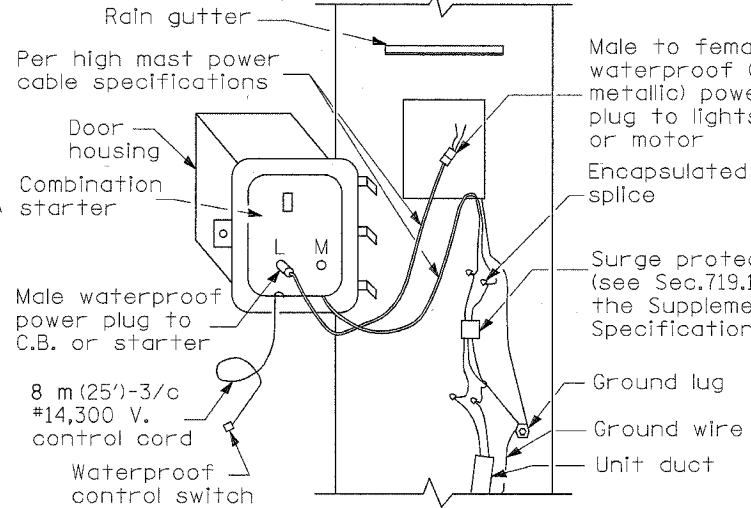


HIGH MAST POLE

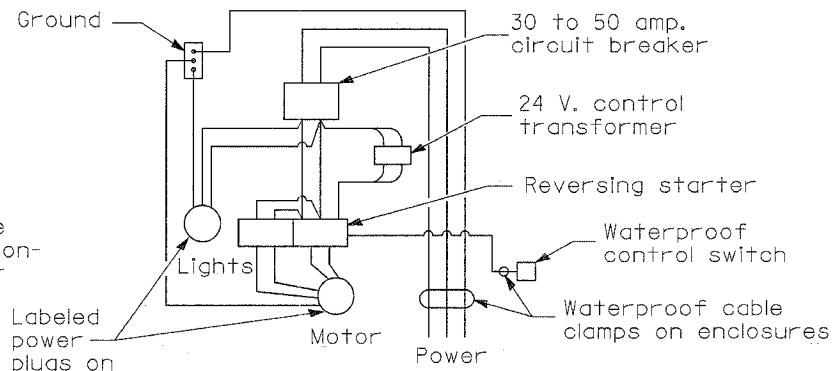


JOINT DETAIL

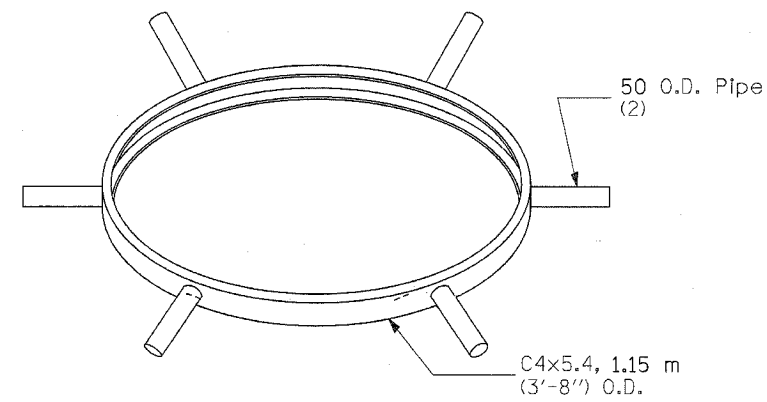
PAINT NOTE:
All poles shall be painted at the overlap joints. Male & female sections shall be painted in accordance with Section 719.10b of the Standard Specifications for Road and Bridge Construction.



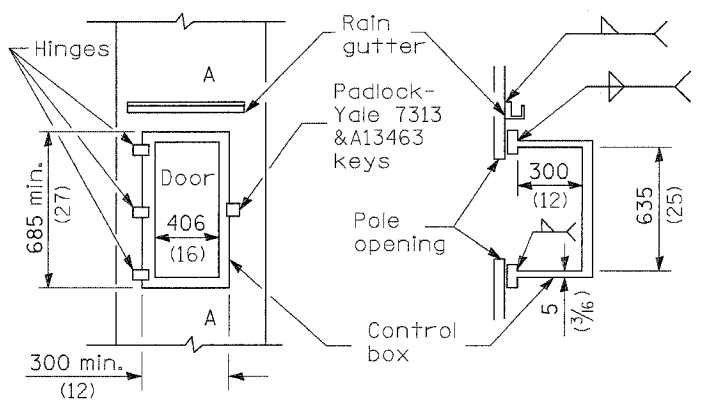
HIGH MAST POLE WIRING DETAIL



NOTE: Manufacturer of lowering device shall factory wire the winch drive electrical control system. Cable attachment to plugs and polarity must be observed to prevent faults to ground when plugs are changed between lights and motor circuits. Alternate schemes shall be approved by the Engineer.



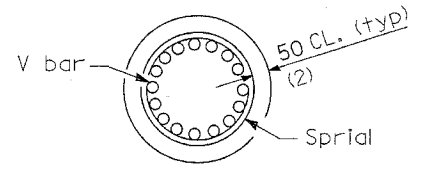
LOWERING RING, DOWN LIGHT UNITS



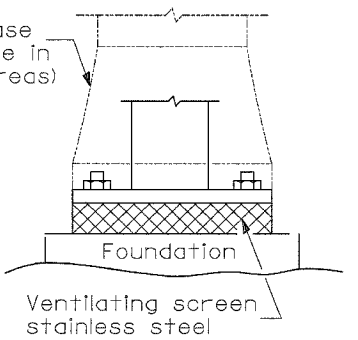
DETAIL A

Handhole size for highmast poles shall be min. .21 m² (2.25 sq. ft.)

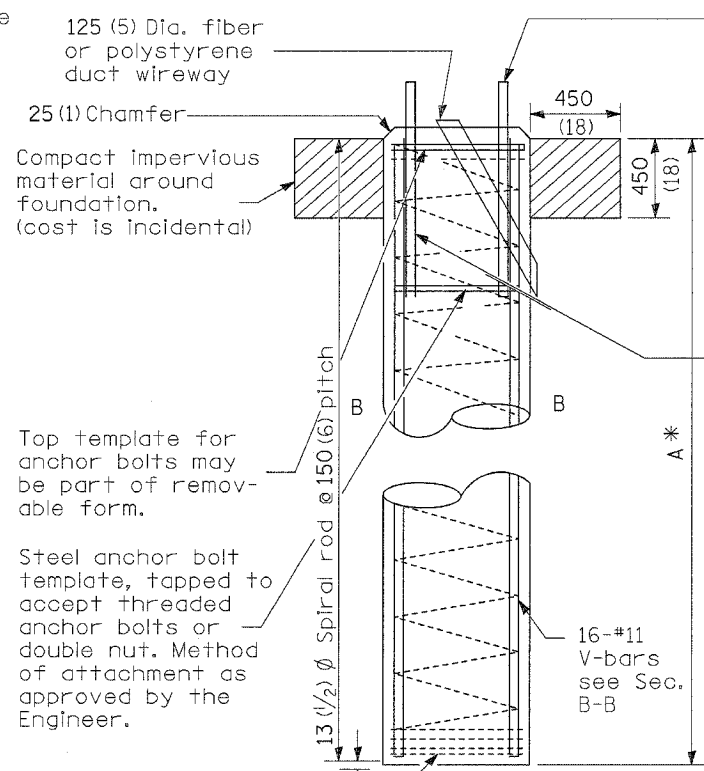
Dimensions are approximate (see Special Provisions)



SECTION B-B



DETAIL B



HIGH MAST POLE FOUNDATION

Anchor bolt quantity, diameter, & length shall be determined by the approved drawings furnished by the pole manufacturer. (min. 6 required)

* NOTE: Dimension A is basis of payment

Method of bolt anchorage of embedded end shall be approved by the Engineer. The upper 1.1 m (3'-6") of the foundation shall be used. The cost of reinforcing is incidental to the footing.

NOTE: Concrete for foundation shall be in accordance with applicable portion of Section 504 of the Standard Specifications.

NOTE: Length of mast arms shall be long enough to aim all luminaires in any direction.
All dimensions are in millimeters (inches) unless otherwise shown.

HIGH MAST TABLE		
TOWER	STATION	DIM. A*
1	23+73	13'
2	15+05	13'
3	805+41	18'
4	834+23	18'

DATE	REVISIONS

LIGHT TOWER AND FOUNDATION

vi=dlight

LGT009vb2.M32