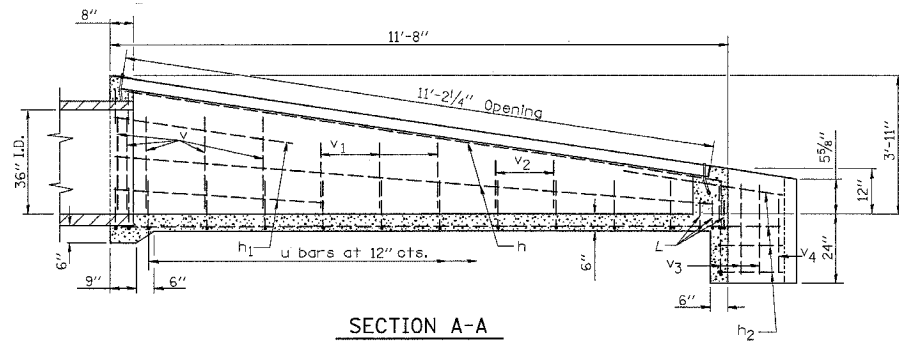
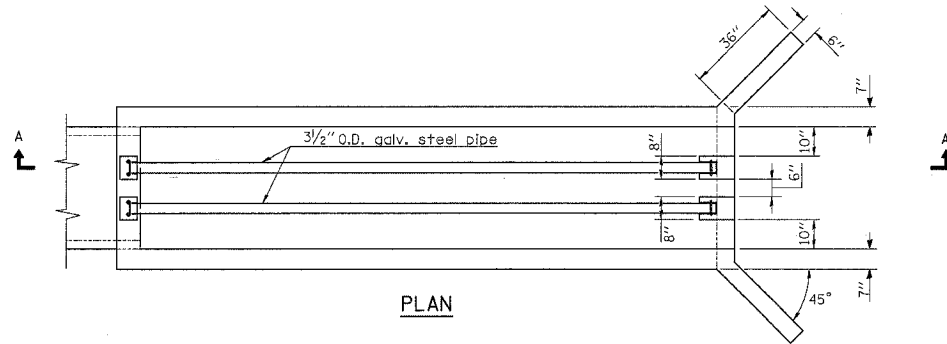


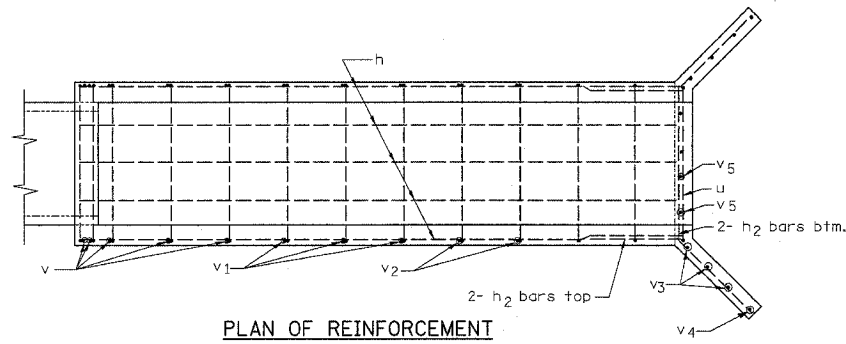
F.A.I. RTE.	SECTION	COUNTY	TOTAL SHEETS	SHEET NO.
80	32-2HBR	GRUNDY	171	90
STA.	TO STA.			
FED. ROAD DIST. NO.	ILLINOIS		FED. AID PROJECT	
CONTRACT NO. 66412				



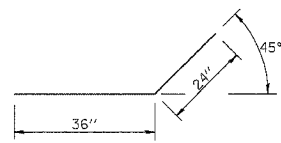
SECTION A-A



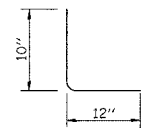
PLAN



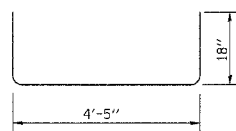
PLAN OF REINFORCEMENT



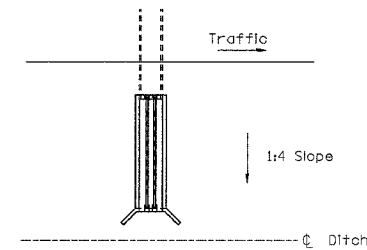
Bar h₂



Bar L



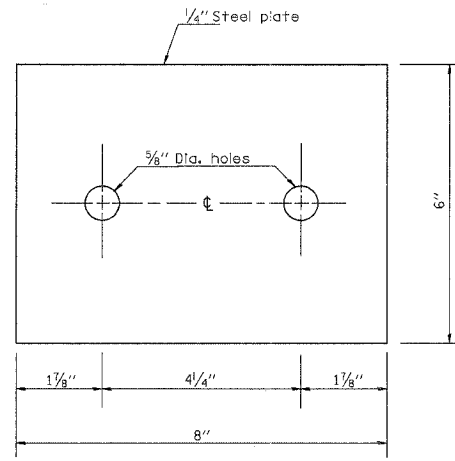
Bar u



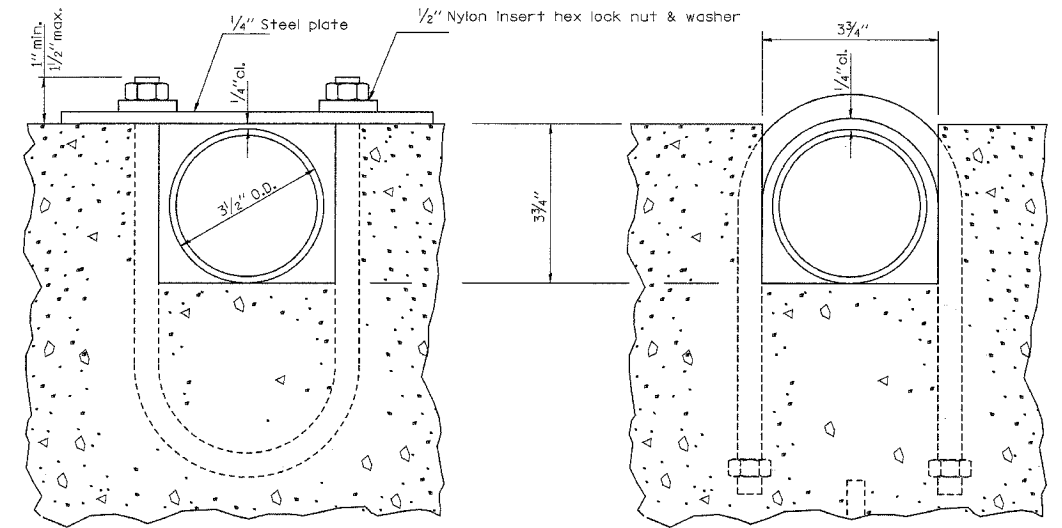
Sketch showing location and direction of box in relation to centerline of ditch.

GENERAL NOTES

All slope ratios are expressed as units of vertical displacement to units of horizontal displacement (V/H).

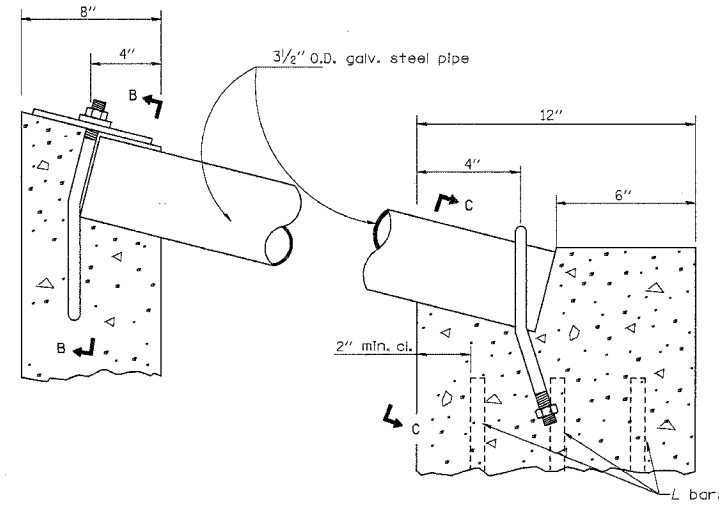


TOP ANCHOR PLATE
(2 - required)

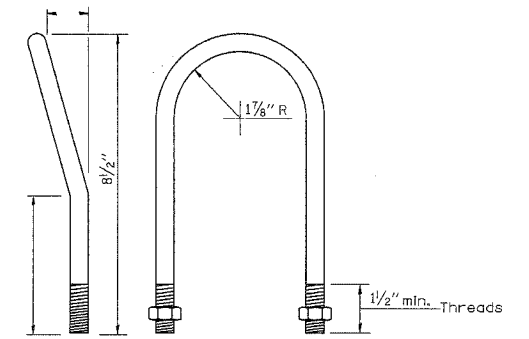


SECTION B-B

SECTION C-C



DETAIL AT BLOCKOUTS

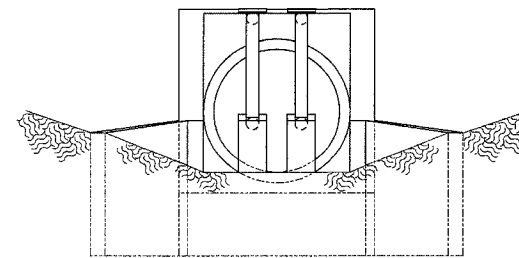


1/2" U BOLT
(4 - required)

All dimensions are in millimeters (Inches) unless otherwise shown.

Material required for one Inlet box

Bar	Qty.	Size	Length
h	9	No. 4	11'-4"
h ₁	4	No. 4	7'-6"
h ₂	8	No. 4	5'-0"
L	6	No. 4	22"
u	13	No. 4	7'-5"
v	10	No. 4	36"
v ₁	6	No. 4	28"
v ₂	4	No. 4	21"
v ₃	6	No. 4	30"
v ₄	2	No. 4	24"
v ₅	4	No. 4	18"
Concrete	cu. yds.		2.9
Reinf. Bars	lbs.		237
Galv. Steel Pipe	3/2" O.D.		2 at 11'-2"



END VIEW

REVISIONS	
NAME	DATE

ILLINOIS DEPARTMENT OF TRANSPORTATION
**I-80 (F.A.I. 80) AT
 SENECA ROAD (F.A.P. 623)
 GRUNDY COUNTY**
 INLET BOX
 TYPE 36 SPECIAL DETAILS

SCALE: N.T.S.
 DATE 10/14/05

DRAWN BY NMR/BJG
 CHECKED BY DJL/JPL