

\* Pgs 92+93 to be done by Addendum at later date \*

F.A.P.	SECTION	COUNTY	TOTAL SHEETS	SHEET NO.
623	32-2 HBR	GRUNDY	171	94
STA. TO STA.				
FED. ROAD DIST. NO.	ILLINOIS	FED. AID PROJECT		
CONTRACT NO. 66412 SHEET 51 OF 520				

**EXISTING STRUCTURE DESCRIPTION**

**STRUCTURE DESCRIPTION**  
The existing bridge (SN. 032-0047) is a four simple span precast prestressed concrete T-beam bridge with a bituminous overlay. Built as F.A.I. Route 6, Section 32-2HB-R of Sta. 819+51.05 in 1958. The total length back to back of abutments is 195'-0". The structure is 33'-8" wide out to out. The double hammerhead piers are supported on timber piles. The concrete abutments are supported on concrete piles. No salvage, except steel beams supporting damaged portions of the existing structure. Beams shall be transported to the District 3 Test Road Facility. See Special Provisions.

Seneca Road will be closed during construction and the local traffic will be diverted to the surrounding streets by utilizing a detour route.

Bench Marks: #4 - Cross cut in west anchor bolt of light pole at intersection of northeast ramp and Seneca Rd. Elev. 624.94. #10 - Cross cut in northwest anchor bolt of light pole at intersection of southeast ramp and Seneca Rd. Elev. 623.88.

**DESIGN SPECIFICATIONS**

2002 AASHTO

**LOADING HS-20-44**

Allow 50 #/sq. ft. for future wearing surface

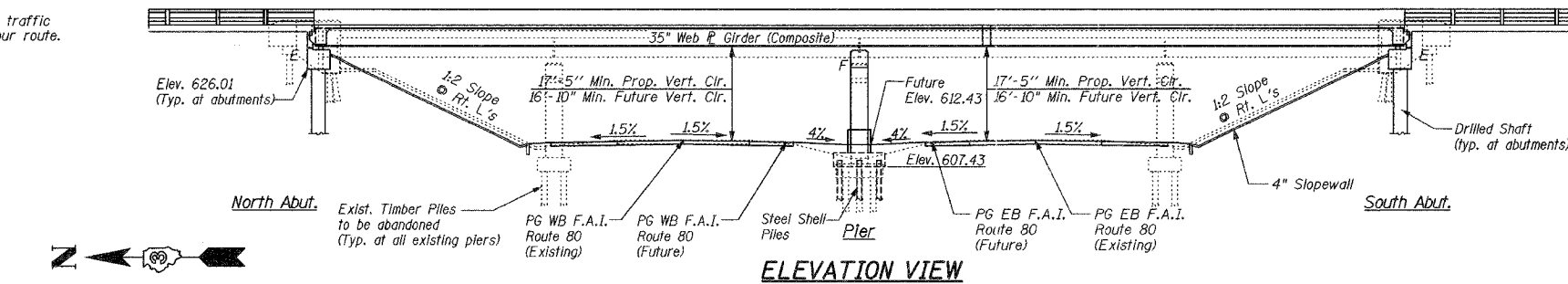
**SEISMIC DATA**

S.P.C. = A  
A = 0.04g  
S = 1.0

**DESIGN STRESSES**

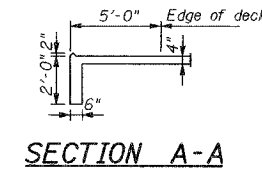
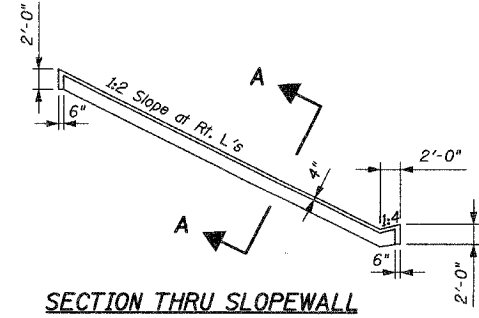
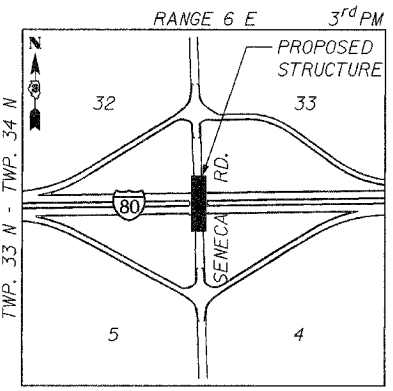
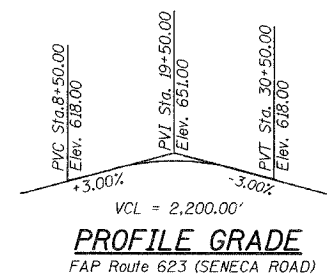
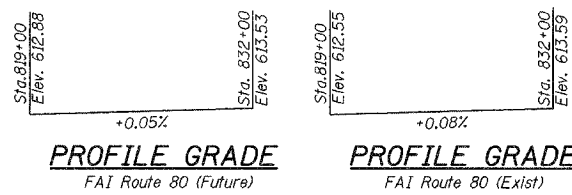
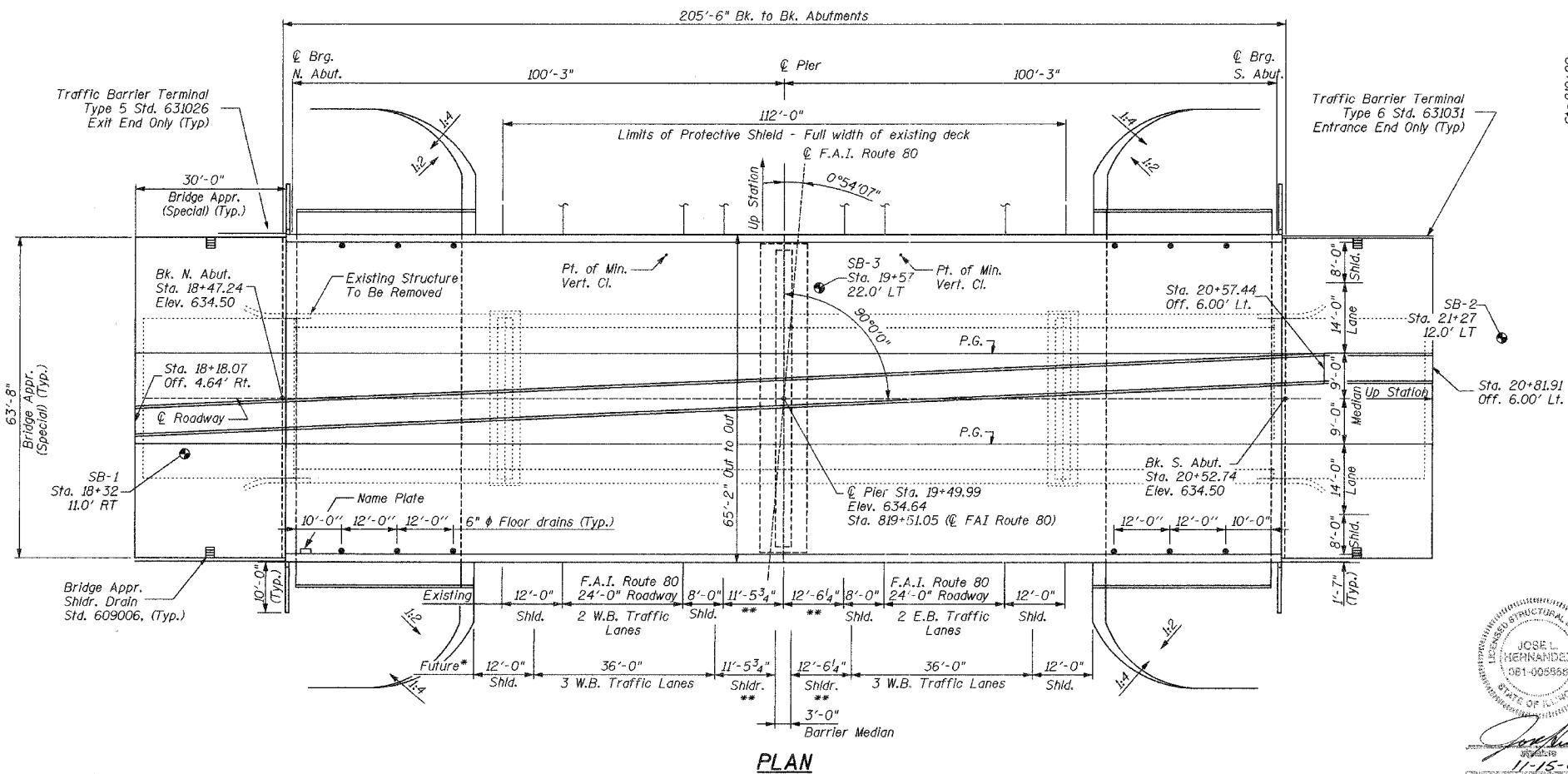
**FIELD UNITS**

f'c = 4,000 psi (Drilled Shafts)  
f'c = 3,500 psi (All Other Concrete)  
fy = 50,000 psi (Structural Steel) M270, Gr. 50  
fy = 60,000 psi (Reinf.)



STATION 19+50  
BUILT 20XX BY  
STATE OF ILLINOIS  
F.A.P. 623 SEC. 32-2 HBR  
LOADING HS20  
STR. NO. 032-0114

**NAME PLATE**  
See Std. 515001



APPROVED FOR STRUCTURAL ADEQUACY ONLY  
*Jose L. Hernandez*  
11-15-05  
11-15-06

**APPROVED**  
FOR STRUCTURAL ADEQUACY ONLY  
*Ralph E. Anderson*  
ENGINEER OF BRIDGES AND STRUCTURES

**Louis Berger & Associates, Inc.**  
1001 Elm Street, Suite 300  
Manchester, NH 03101

REVISIONS	NAME	DATE

ILLINOIS DEPARTMENT OF TRANSPORTATION  
**SENECA ROAD OVER F.A.I. 80**  
F.A.P. 623 SEC. 32-2 HBR GRUNDY CO.  
STRUCTURE No. 032-0114  
STATION 19+49.99  
GENERAL PLAN & ELEVATION  
SCALE: NONE  
DATE: OCTOBER, 2005  
DRAWN BY: NJH  
CHECKED BY: JLG

11/14/2005 11:42:23 AM V:\CHICAGO\DOT\1836\CAD\STRUCT\SN.032.0114.dgn User: cdalgle