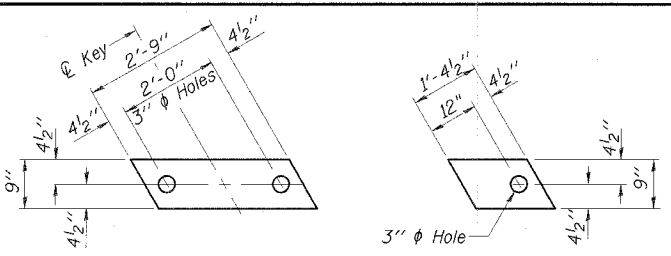
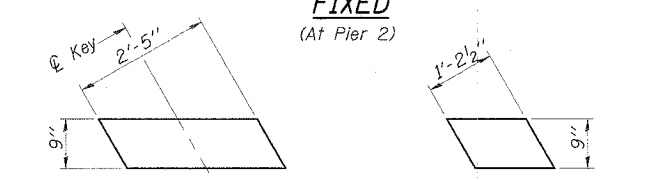


STATE OF ILLINOIS
DEPARTMENT OF TRANSPORTATION

ROUTE NO.	SECTION	COUNTY	TOTAL SHEETS	SHEET NO.
FAP 315	*	MCLEAN	44	17
STA.	TO STA.			
FED. ROAD DIST. NO.	ILLINOIS	FED. AID PROJECT-		
*102X-BR-2			DWG. NO. 5 OF 17	
CONTRACT NO. 66584				

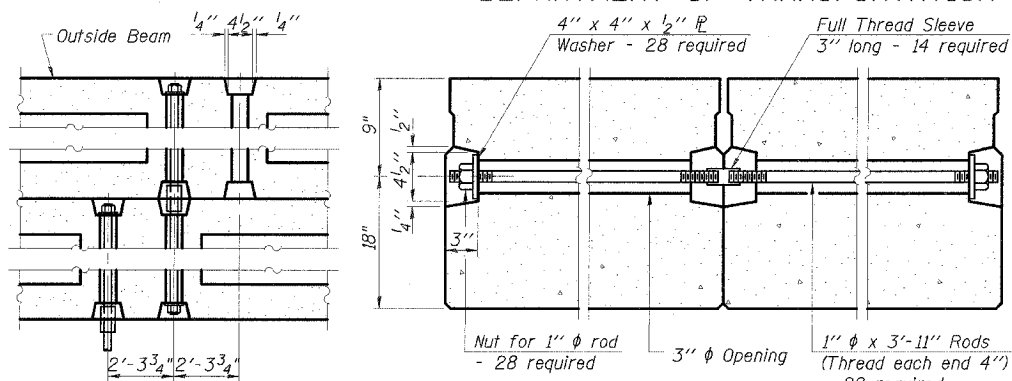


FABRIC BEARING PAD
(Interior) **FABRIC BEARING PAD**
(Exterior)

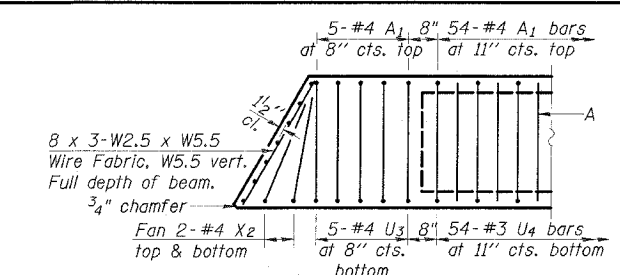


FABRIC BEARING PAD
(Interior) **FABRIC BEARING PAD**
(Exterior)

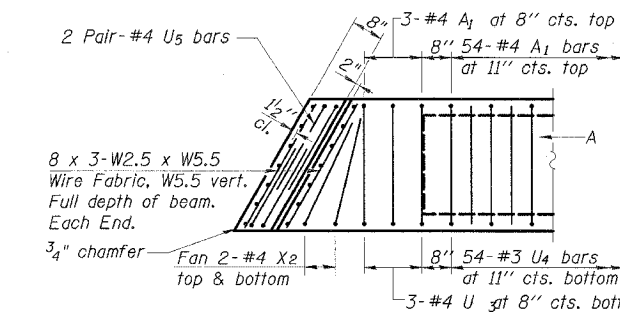
EXPANSION
(At Piers 1 & 3)



TYPICAL TRANSVERSE TIE ASSEMBLY

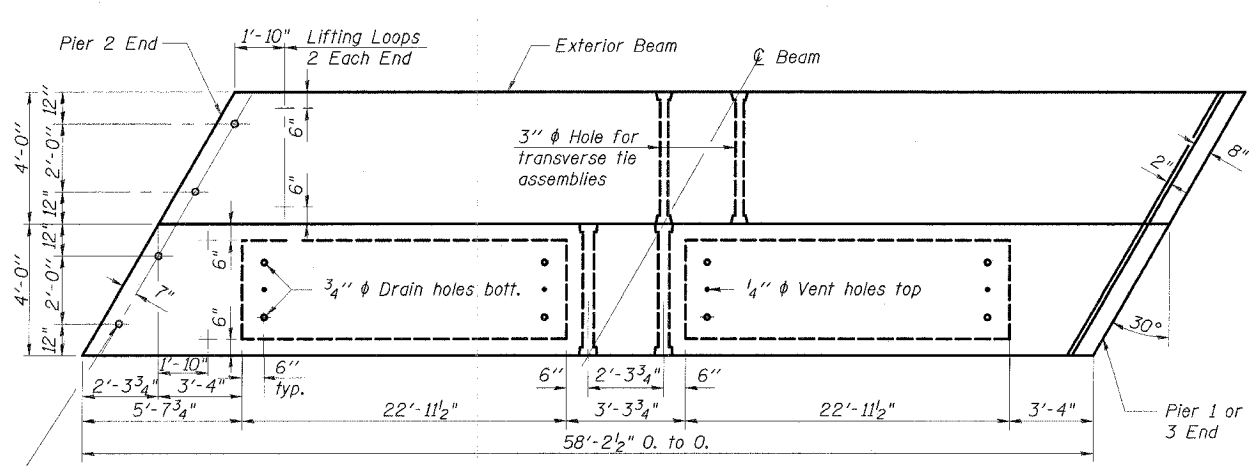


AT PIER 2

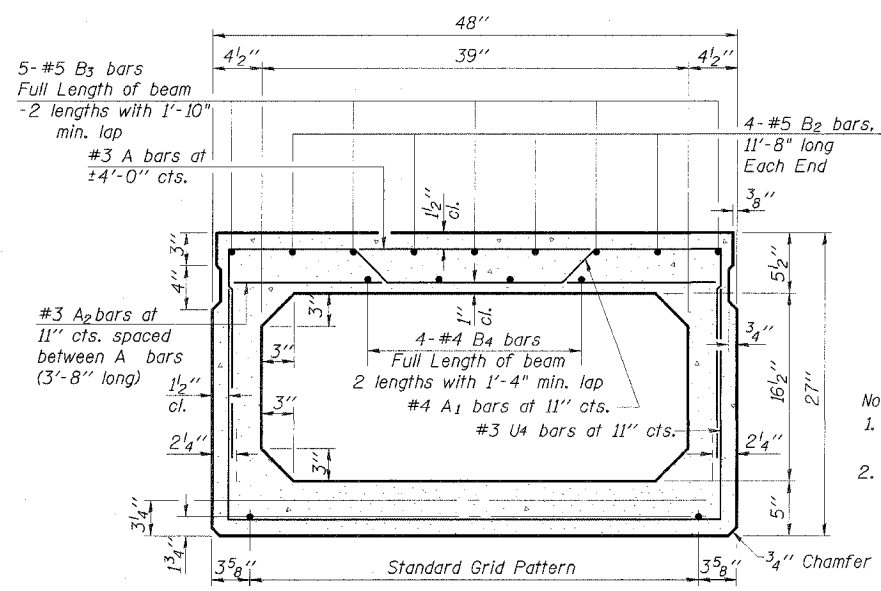


AT PIERS 1 & 3

END PLANS



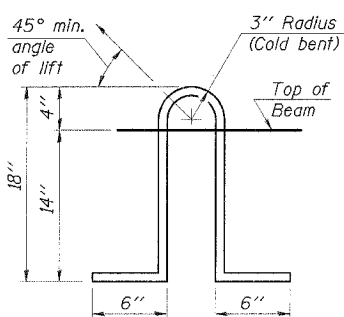
PLAN



TYPICAL SECTION-INTERIOR BEAMS

17-1/2 inch diameter Strands, Each Strand Stressed to 30,900 Lbs.
13-Strands 1 3/4 inch up, 4-Strands 3/4 inch up

- Notes:
1. Place strands symmetrically about centerline of beam.
 2. See Dwg. 6 of 17 for fascia beam details.



LIFTING LOOP DETAIL

NOTES

Prestressing steel shall be uncoated high strength, low relaxation 7-wire strand, Grade 270. The nominal diameter shall be 1/2 inch and the nominal cross-sectional area shall be 0.153 sq. in. Lifting loops shall be 3-1/2 inch diameter #270 ksi strands, as shown. The 1 inch diameter rods in the transverse tie assembly shall be tightened to a snug fit and the threads set. Pockets that receive transverse tie bar on outside shall be filled with grout after transverse tie assembly is in place.

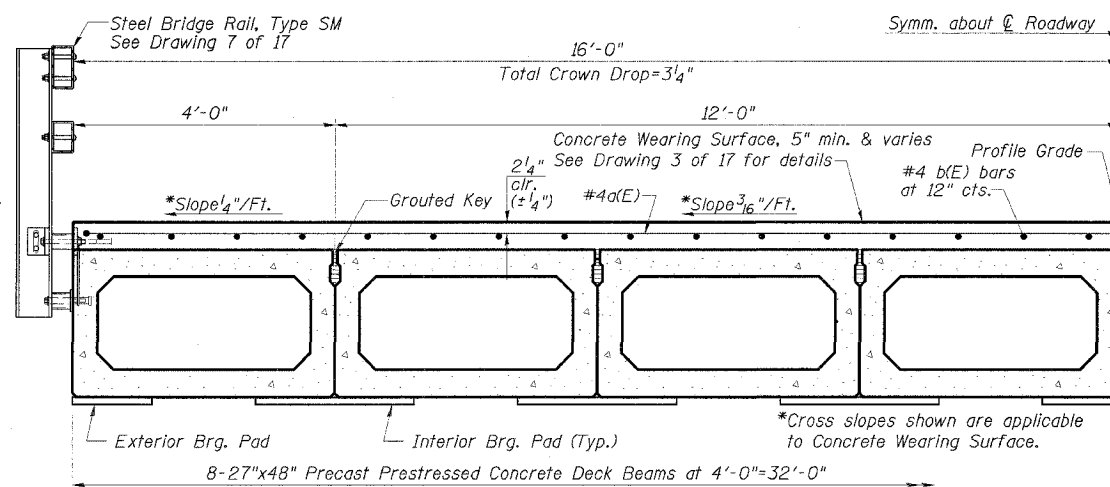
Non prestressing steel shall conform to AASHTO M-31 or M322 Grade 60. The bearing seat surfaces shall be adjusted by shimming to assure firm and even bearing. Two 1/8 inch fabric adjusting shims of the dimensions of the Exterior Bearing Pad shall be provided for each bearing.

Keyway surfaces shall be cleaned to remove form oil or other bond breaking material prior to shipment of the beams. Cleaning shall be done by sandblasting the keyway areas between top of the beam and the bottom edge of the key.

Corrosion Inhibitor, as covered in the Special Provisions, shall be used in the concrete for precast prestressed concrete deck beams.

Required Release Strength, f'ci, shall be 4,000 p.s.i. See Drawing 2 of 17 for location of rail anchors and additional notes.

Bridge rail inserts shall be cast in precast beams, and the cost shall be included with Precast Prestressed Concrete Deck Beams.



HALF CROSS SECTION

SPANS 2 & 3
SUPERSTRUCTURE DETAILS
US 136 OVER BRANCH OF SALT CREEK
FAP ROUTE 315 - SECTION 102X-BR-2
MCLEAN COUNTY
STATION 616+99.00
STRUCTURE NO. 057-0185

ESCA
CONSULTANTS, INC.

DESIGNED BY:	ELH	6/05
DRAWN BY:	DWH	6/05
CHECKED BY:	ELH	10/05
APPROVED BY:	RDP	10/05