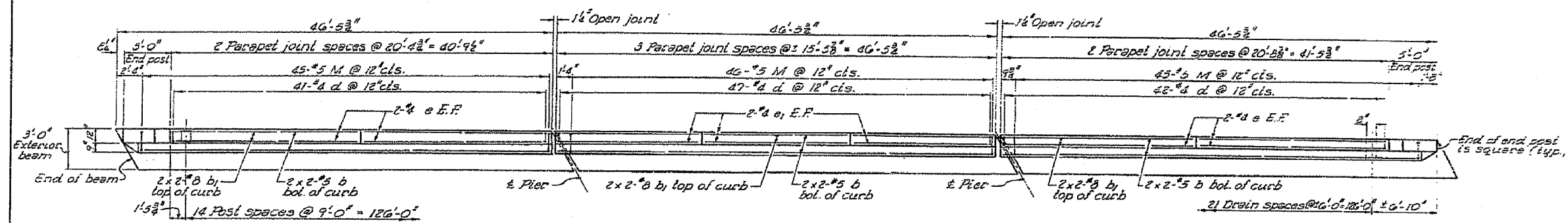


FAP RTE	SECTION	COUNTY	TOTAL SHEETS	SHEET NO.
697	17BR	FORD	40	32
STA.		TO STA.		
FED. ROAD DIST. NO.		ILLINOIS FED. AID PROJECT		

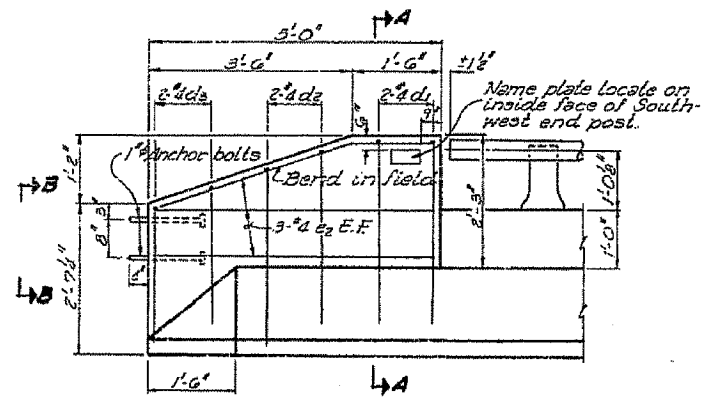
Note: Bars indicated thus 2 x 2-#5 etc. designates 2 lines of bars with 2 lengths per line. Min bar laps = 24 diameters.

STATE OF ILLINOIS

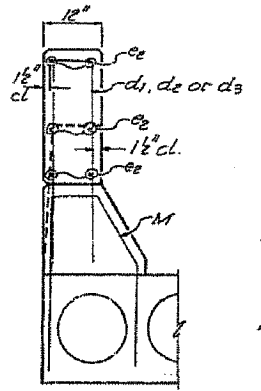
DATE	BY	CHKD	APP'D	SHEET NO.
77	FORD	77	29	32



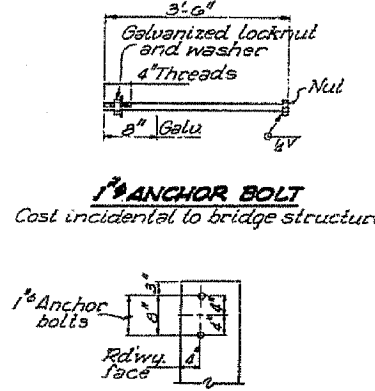
PLAN OF NORTH PARAPET & CURB
South parapet & curb similar by rotation



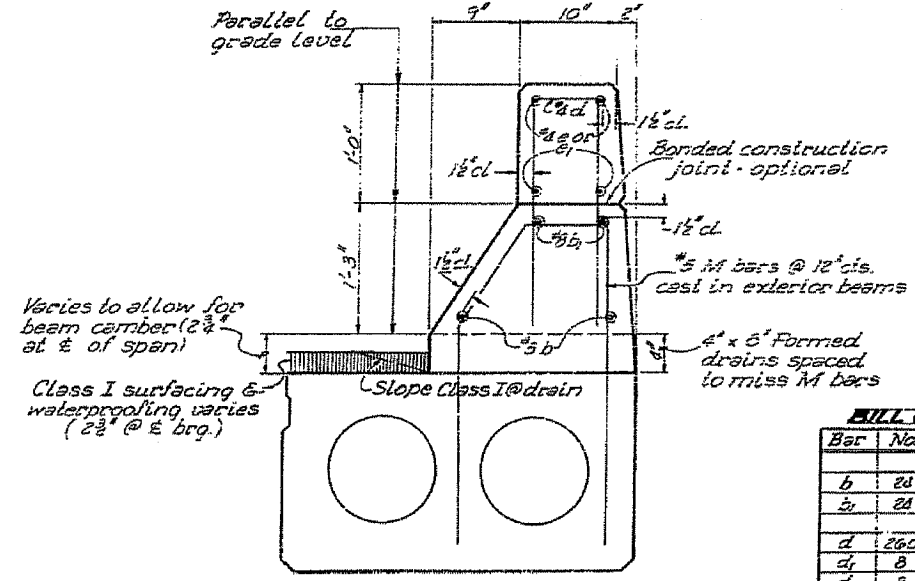
END POST DETAIL



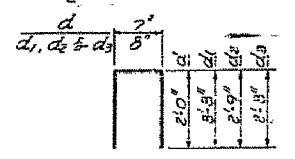
SECTION A-A



VIEW B-B



CURB & PARAPET SECTION
All edges shall have 3/8" chamfer



BARS d-d1-d2-d3

BILL OF MATERIAL

Bar	No.	Size	Length	Shape
b	24	#5	23'-9"	—
b1	24	#8	24'-0"	—
d	240	#4	2'-7"	□
d1	8	#4	7'-2"	□
d2	8	#4	6'-2"	□
d3	8	#4	5'-2"	□
e	32	#4	20'-1"	—
e1	24	#4	13'-3"	—
e2	24	#4	4'-0"	—
Reinforcement Bars		Lbs.	3730	
Class I Concrete		Cu. yds.	39.4	
Aluminum Railings		Lin. Ft.	258	
Name Plates		Each	1	

*Locate Name Plate on inside face of Southwest end post, see Sta. 2113-1
For detail of Aluminum Railings, see sheet #5

DESIGNED <i>[Signature]</i>	EXAMINED <i>[Signature]</i>
CHECKED <i>[Signature]</i>	PASSED <i>[Signature]</i>
DRAWN <i>[Signature]</i>	APPROVED <i>[Signature]</i>
G.M. CHECKED <i>[Signature]</i>	

CURB & PARAPET DETAILS
F.A. 21.10 (S.B.L. 9) SEC. 17 BR
FORD COUNTY
STATION 923 + 87.00