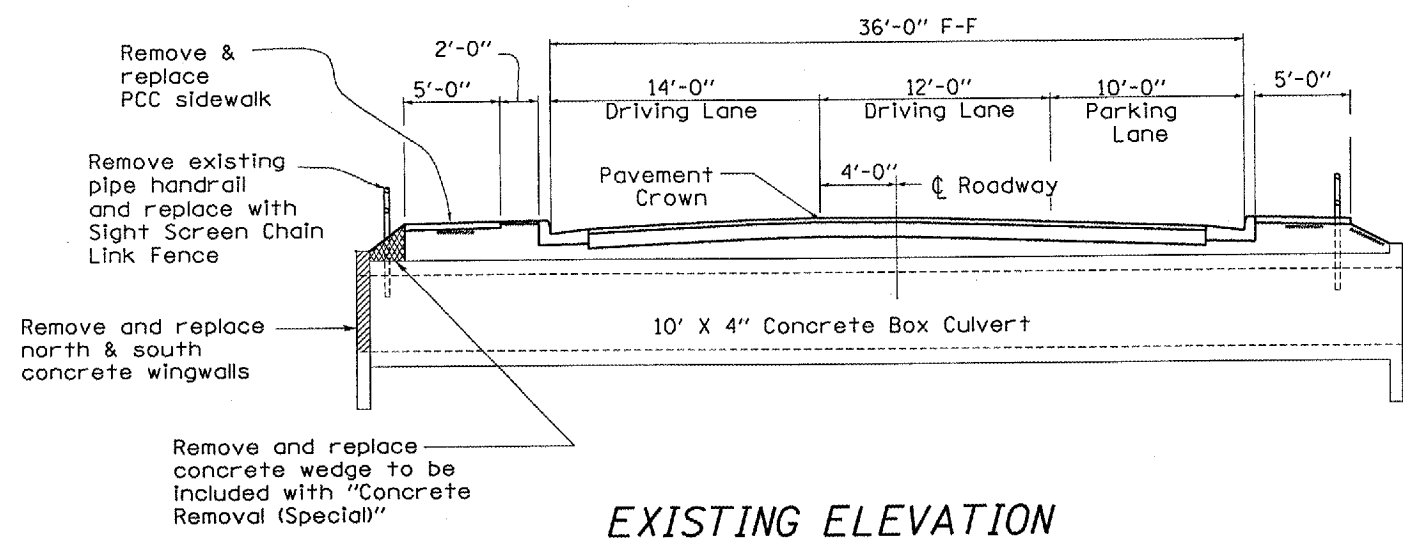
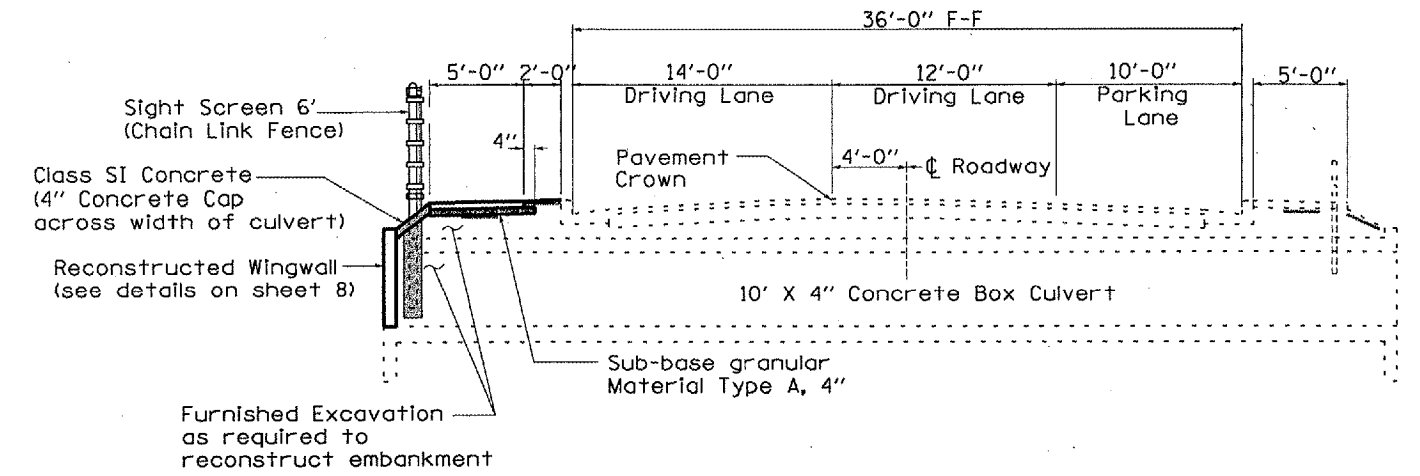


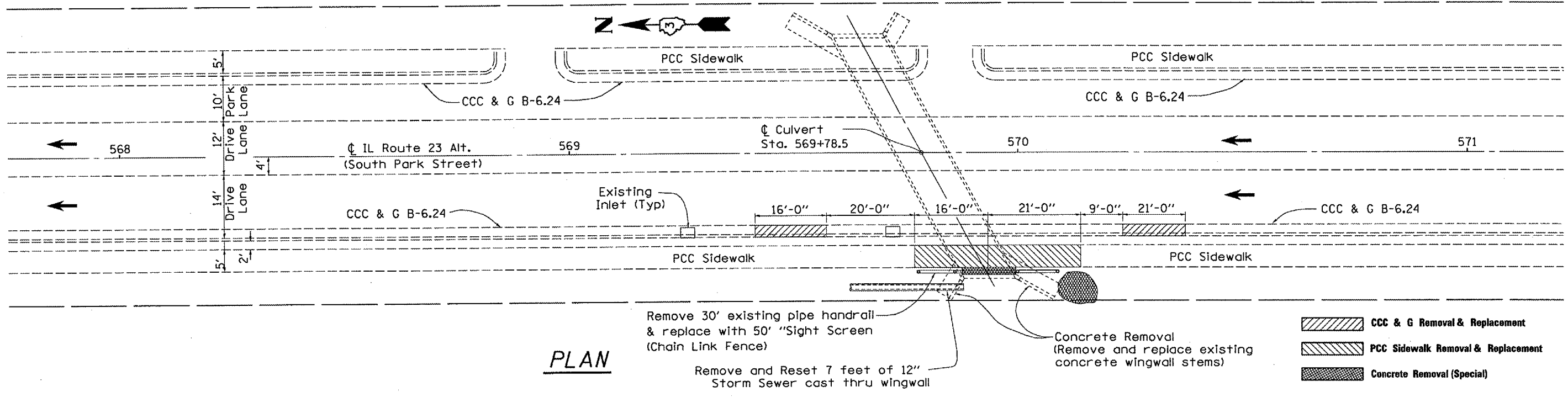
FAP RTE.	SECTION	COUNTY	TOTAL SHEETS	SHEET NO.
68	(99, 100, 37)I	LASALLE	9	4



**EXISTING ELEVATION
LOOKING NORTH**



**PROPOSED ELEVATION
LOOKING NORTH**



PLAN

REVISIONS	
NAME	DATE

ILLINOIS DEPARTMENT OF TRANSPORTATION
GENERAL ROADWAY PLAN
 FAP 68 ALT. (IL 23 ALT.)
 SECTION: (99, 100, 37)I
 LASALLE COUNTY
 STA. 569 + 78.5
 DATE 09/12/2005 DRAWN BY RLW

Date: 09/30/2005
 File: c:\projects\main06\cm323\details.dgn