

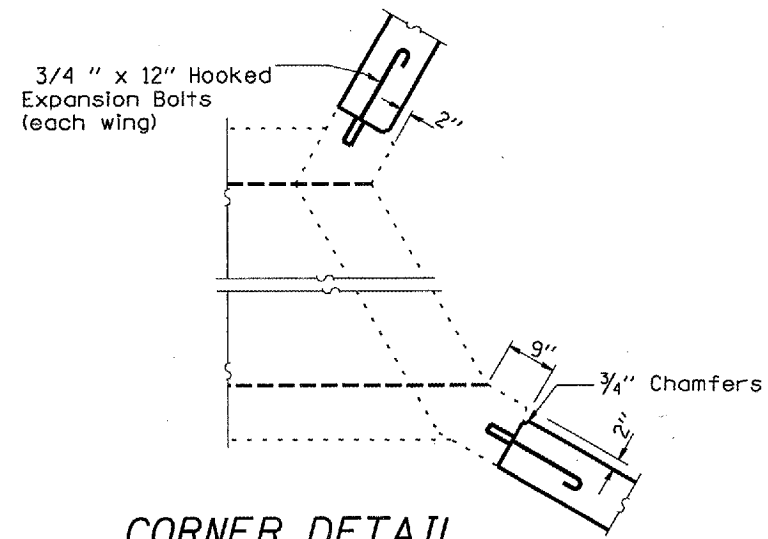
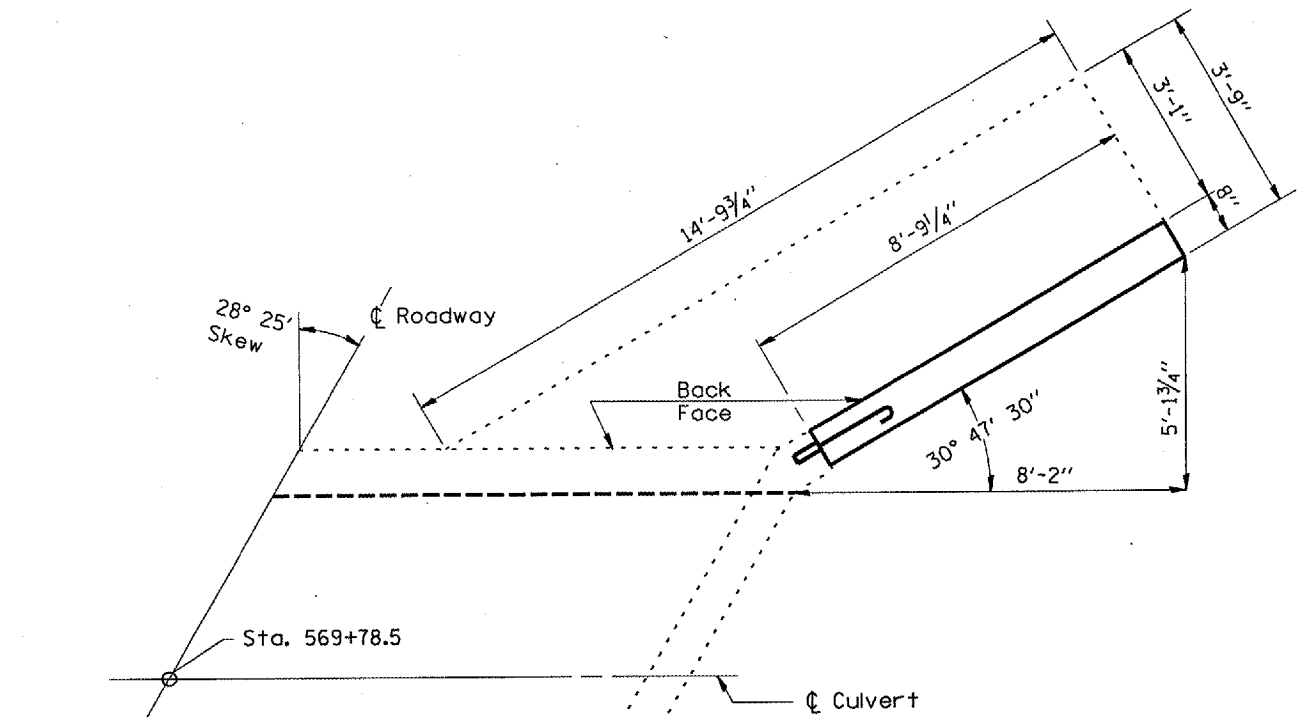
FAP RTE.	SECTION	COUNTY	TOTAL SHEETS	SHEET NO.
68	(99, 100, 371)	LASALLE	9	8

BILL OF MATERIAL

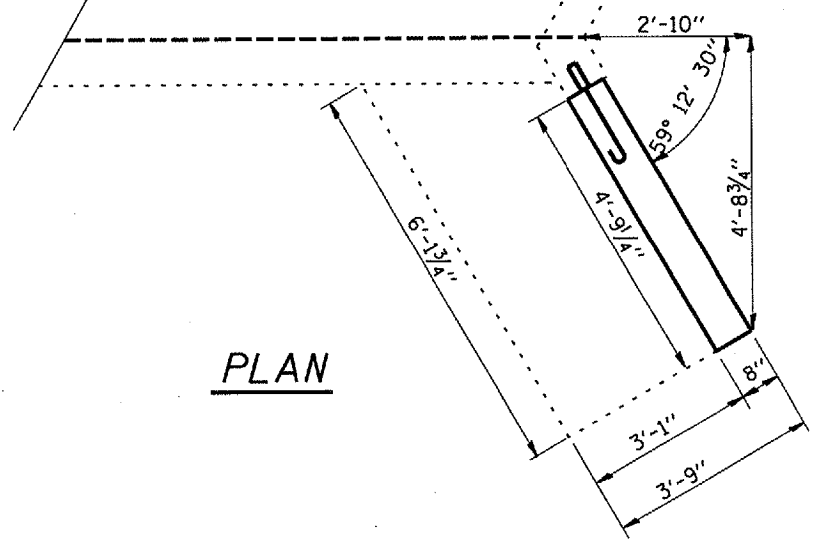
Bar	No.	Size	Length	Shape
h	7	#5	4'-6"	—
h ₁	7	#5	8'-6"	—
v(E)	14	#6	3'-8"	—
v ₁	14	#4	5'-0"	—
Concrete Structures			Cu. Yd.	1.4
Reinforcement Bars, Epoxy Coated			Pound	77
Reinforcement Bars,			Pound	142
3/4" x 12" Expansion Bolts			Each	10

Reinforcement designated (E) shall be Epoxy Coated

*** v₁ bars shall be ordered full length and cut to fit in the field

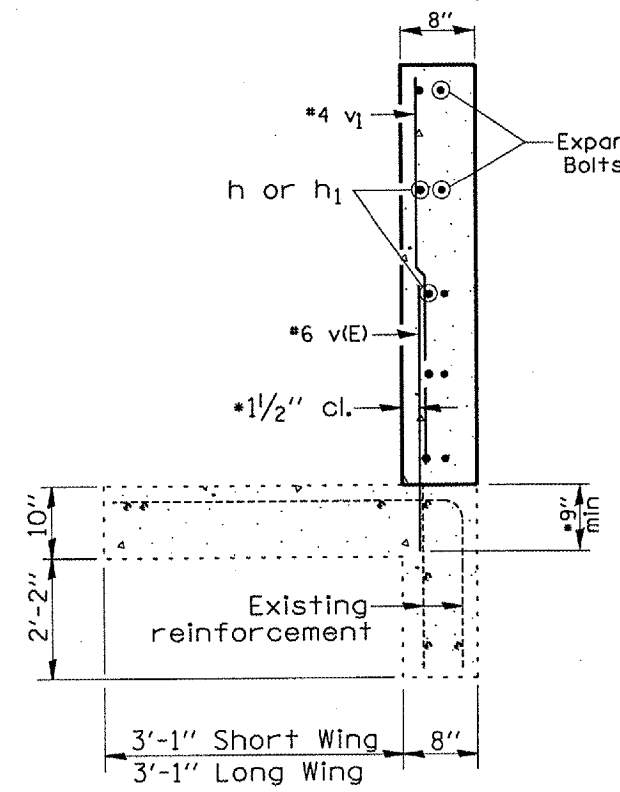


CORNER DETAIL
TYP EACH WALL

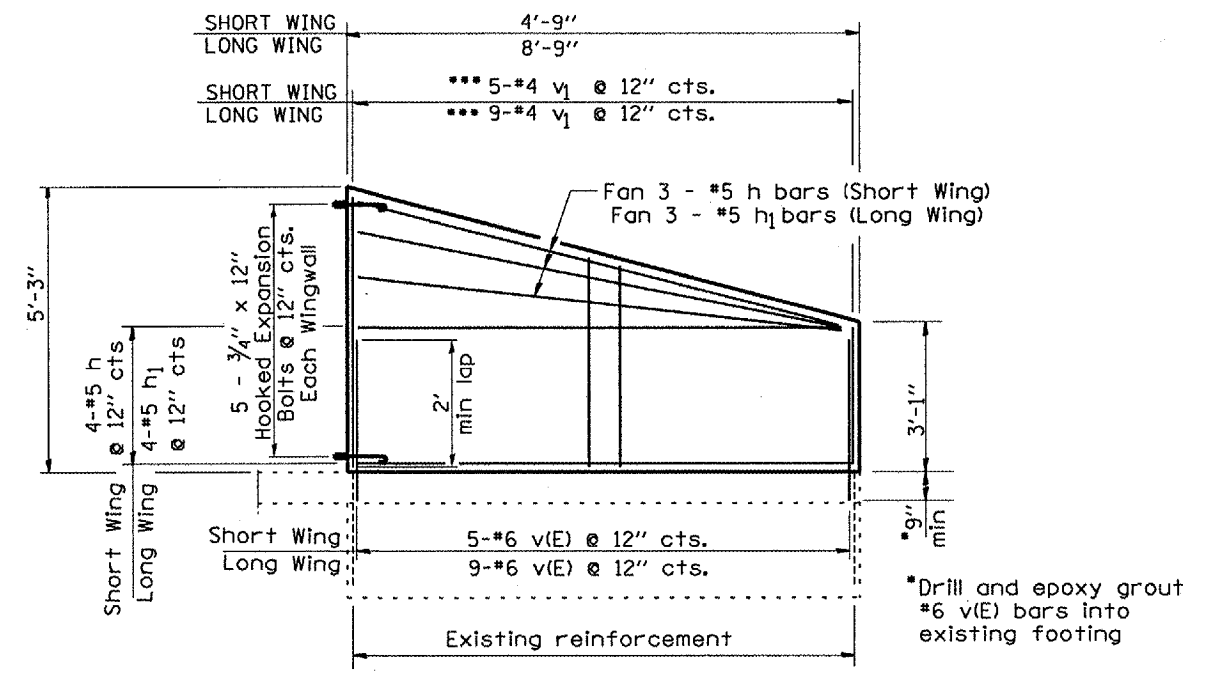


PLAN

DESIGN STRESSES (NEW CONSTRUCTION)
 f_y = 60,000 psi
 f'_c = 3,500 psi



END VIEW
TYP EACH WALL



ELEVATION

*Drill and Epoxy Grout v(E) bars into existing footing

** v(E) bars shall not be placed more than 1/2" cl. from back face of wingwall

*Drill and epoxy grout #6 v(E) bars into existing footing

REVISIONS	
NAME	DATE

ILLINOIS DEPARTMENT OF TRANSPORTATION
WINGWALL RECONSTRUCTION DETAILS
 FAP 68 ALT. (IL 23 ALT.)
 SECTION: (99, 100, 371)
 LASALLE COUNTY
 STA. 569+78.5
 DATE 09/12/2005 DRAWN BY RLV

Date: 09/30/2005
 File: c:/projects/cmain06/cm323/details.dgn