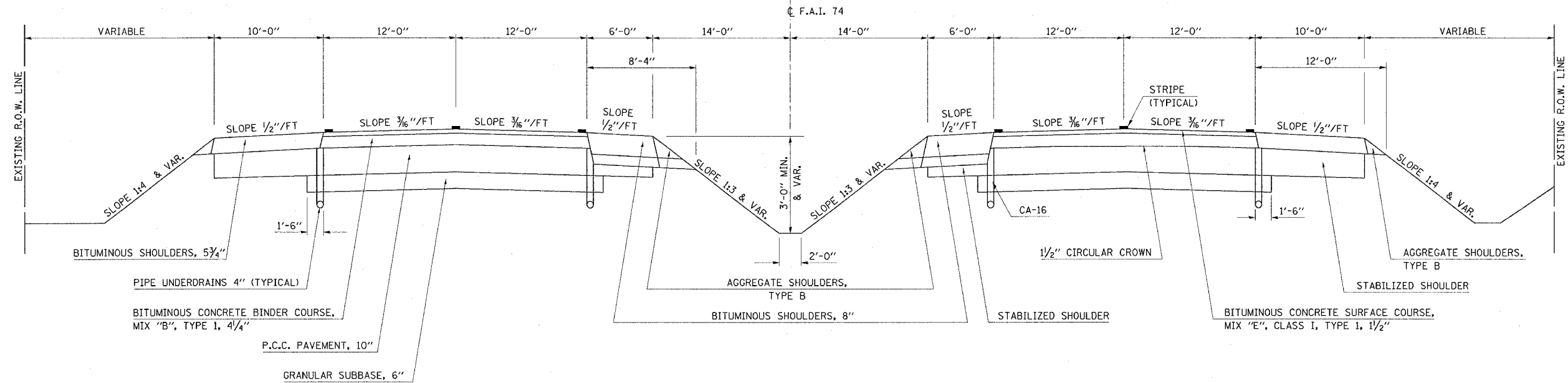


EXISTING TYPICAL CROSS SECTION

F.A.I. RTE.	SECTION	COUNTY	TOTAL SHEETS	SHEET NO.
74		CHAMPAIGN	115	10

CONTRACT NO. 70141
 • 10K5-1-RS-L14-1(RIRS & 6RS-3)

STATION TO STATION
 1035+75.00 1038+67.40
 1051+15.00 1054+44.50
 1068+34.50 1071+68.00



PROPOSED TYPICAL CROSS SECTION ①

STATION TO STATION
 1035+75.00 1038+67.40 ②
 ② 1051+15.00 1054+44.50 ②
 ② 1068+34.50 1071+68.00 ②

