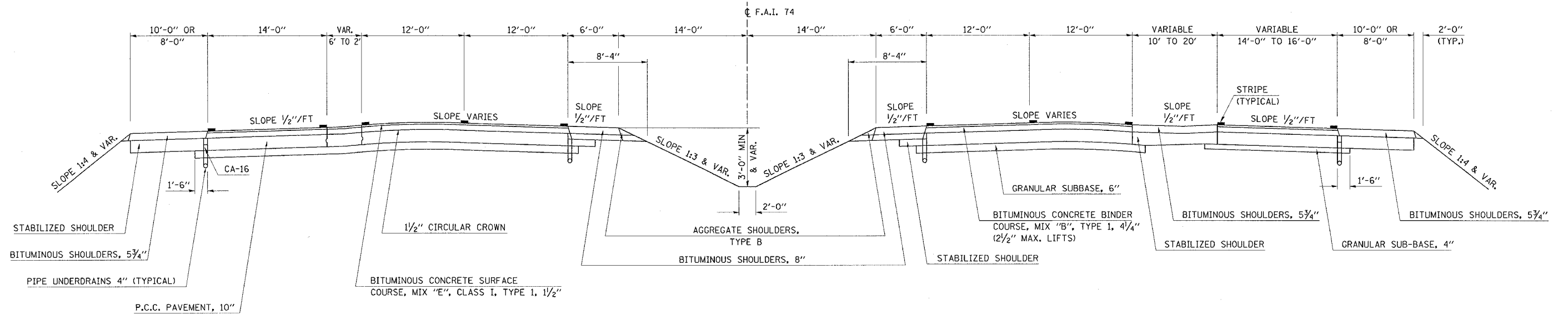


EXISTING TYPICAL CROSS SECTION

F.A.I. RTE.	SECTION	COUNTY	TOTAL SHEETS	SHEET NO.
74	*	CHAMPAIGN	115	11

CONTRACT NO. 70141
 • 10(5-1-RS-1,14-1(R)RS & 6RS-3)

STATION	TO	STATION
1038+67.40		1051+15.00
1054+44.50		1068+34.50
1071+68.00		1084+08.00



PROPOSED TYPICAL CROSS SECTION ②

STATION	TO	STATION
① 1038+67.40		① 1051+15.00
① 1054+44.50		① 1068+34.50
① 1071+68.00		③ 1084+08.00

PAVING OMISSIONS: S.N. 010-0018/19
 EB STA 1059+55.66 TO STA 1063+15.83
 WB STA 1059+63.67 TO STA 1063+24.84

