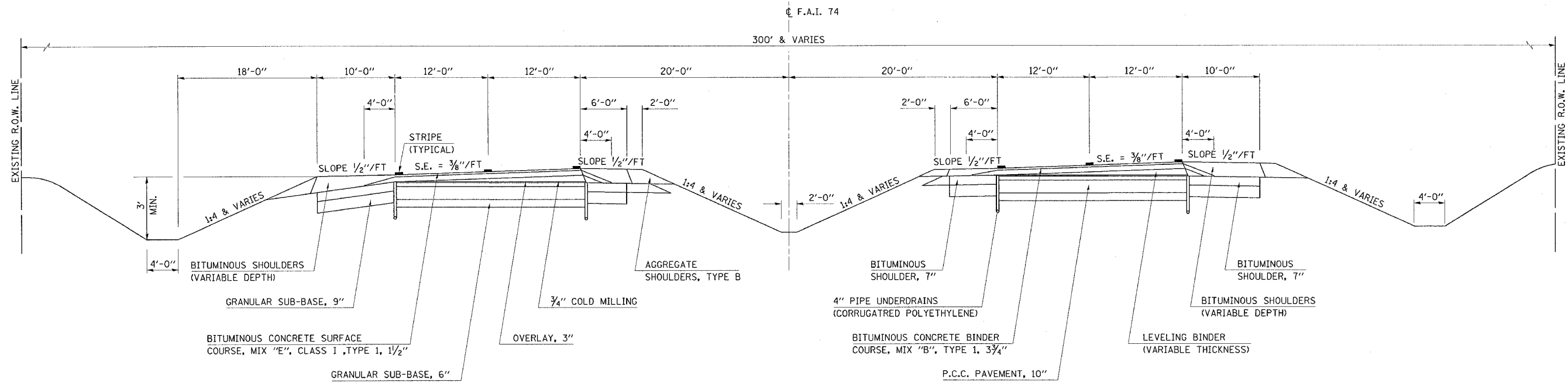


EXISTING TYPICAL CROSS SECTION

STATION TO STATION
1374+00.00 TO 1421+00.00

F.A.I. RTE.	SECTION	COUNTY	TOTAL SHEETS	SHEET NO.
74	*	CHAMPAIGN	115	21

CONTRACT NO. 70141
• 1015-1-RS-1.14-1(RRS & 6RS-3)



PROPOSED TYPICAL CROSS SECTION 12

STATION TO STATION
⑪ 1374+00.00 TO 1421+00.00 ⑫

PAVING OMISSIONS: S.N. 010-0025/26
EB STA 1372+04.45 TO STA 1374+26.36
WB STA 1372+21.57 TO STA 1374+43.88

